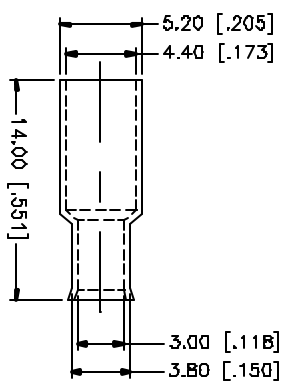
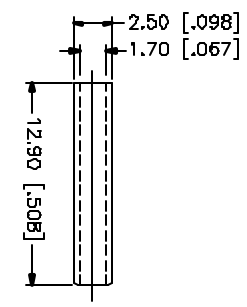
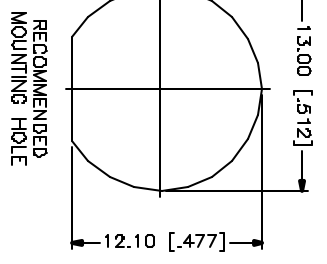
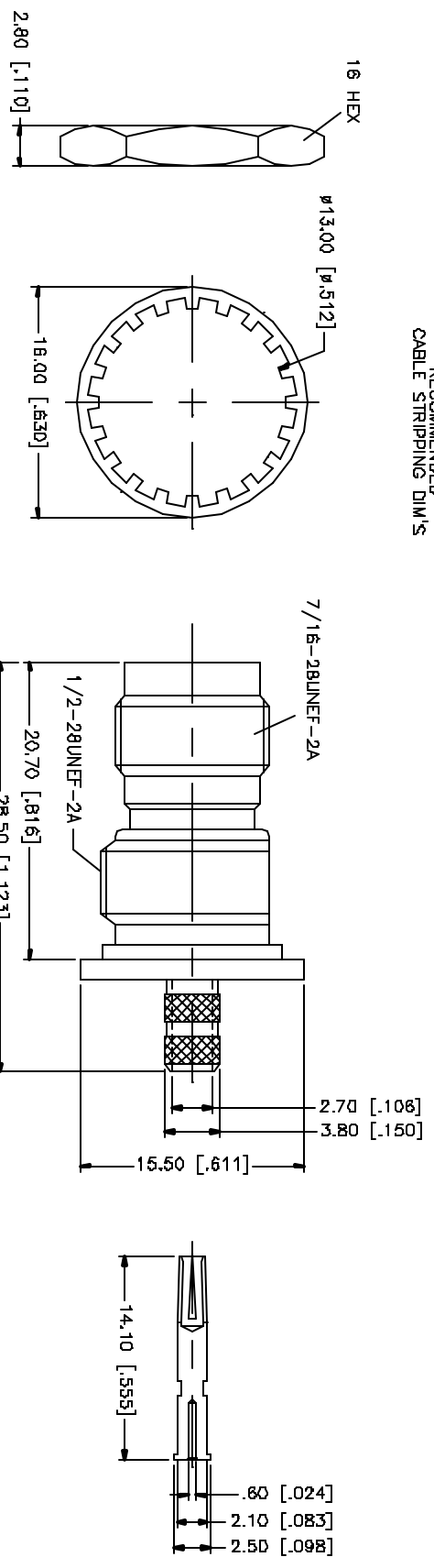
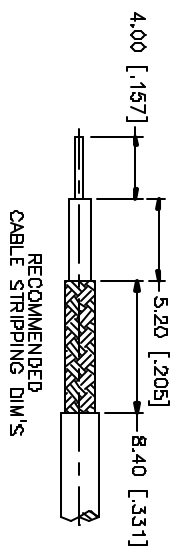


REV.	DATE	DESCRIPTION
A	05/01/04	UPDATE PLATING SPECS.



- NOTES:
1. CRIMPED FERRULE
HEX CRIMPED SIZE .178"
 2. CRIMPED CONTACT PIN
HEX CRIMP SIZE .068"

QTY	FINISH	MATERIAL	DESCRIPTION
1	NICKEL	COPPER	FERRULE
1	NATURAL	DELFIN	SLEEVE
1	NICKEL	BRASS	HEX NUT
1	NICKEL	BRASS	LOCK WASHER
1	GOLD	PHOS. BRONZE	CONTACT PIN
1	NATURAL	TEFLON	INSULATOR
1	NICKEL	BRASS	BODY
			DESCRIPTION

APPROVALS	DATE
DAWN G.R.S.	05/01/04

ISSUED	SHEET	QTY
1	1	1

REV.	SIZE	SCALE
A	A	NA

DWG. NO.	PART NO.
122210.DWG	122210

APP. FILE	END FILE
C:/122/122210.DWG	

Amphenol Connex

TNC BULKHEAD ISOLATED CRIMP JACK
(FDR-RG174/U, 188A/U, 316/U)

MASS: OTHERS: SPECIFIED: PARTS: ARE: NOTED: IN: THE: DRAWING: AND: THE: CUSTOMER: SPECIFICATIONS: AND: THE: CUSTOMER: DRAWING: DATA.

MASS: OTHERS: SPECIFIED: PARTS: ARE: NOTED: IN: THE: DRAWING: AND: THE: CUSTOMER: SPECIFICATIONS: AND: THE: CUSTOMER: DRAWING: DATA.

MASS: OTHERS: SPECIFIED: PARTS: ARE: NOTED: IN: THE: DRAWING: AND: THE: CUSTOMER: SPECIFICATIONS: AND: THE: CUSTOMER: DRAWING: DATA.