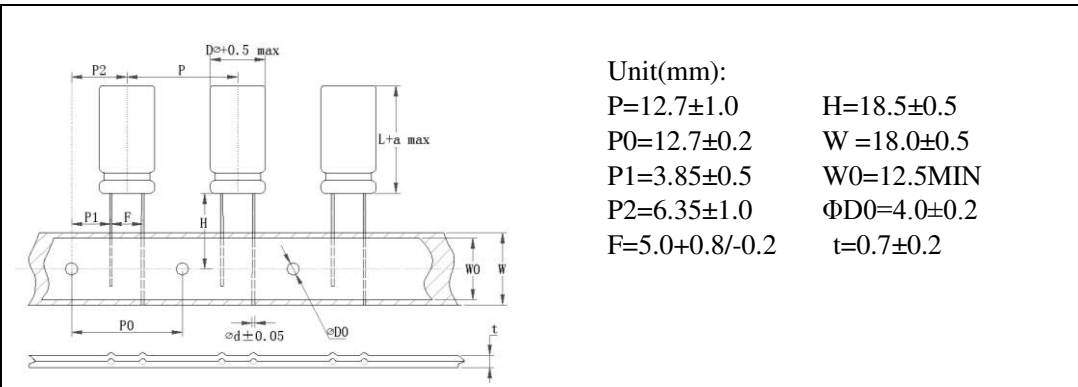
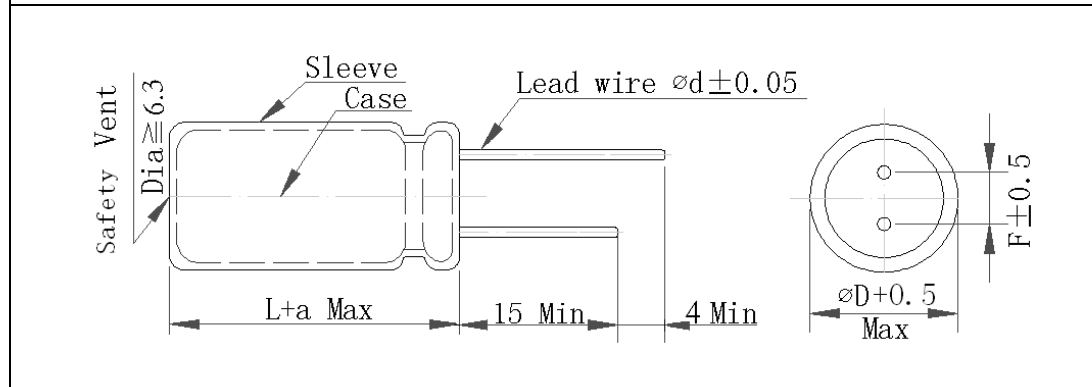


Aluminum Electrolytic Capacitor

Customer	Digi-Key	SERIES	PJ	NO.:	PUBLISH DATE	2022-03-25
----------	----------	--------	----	------	--------------	------------



Original **FIG-1**

No.	CHINSAN Part No.	Customer Part No.	Capacitance (uF)	Tolerance On rated Capacitance (%)	Working Voltage (Vdc)	Surge Voltage (Vdc)	Category Temp Range (°C)	Tanδ @ 25°C (120Hz) (Max)	Leakage Current (uA) (2 min.)	Rated Ripple Current (mA rms) @ 105°C 120Hz	Rated Ripple Current (mA rms) @ 85°C 100kHz	ESR @25°C (mΩ max/ 120Hz)	Impedance @20°C (mΩ max/ 100kHz)	Endurance @ 105°C (Hours)	Dimensions (mm)					Appearance Drawing No
															D Φ	L	a	d	F	
1	PJ2W100MP51020R	/	10 μF	±20%	450 V	/	-25~+105	/	/	150	/	/	/	8000	10	20	/	/	5	FIG-1
2	PJ2W101MNN1840	/	100 μF	±20%	450 V	/	-25~+105	/	/	800	/	3620	/	10000	18	40	/	/	7.5	Original

※Test leakage current before testing dissipation factor and capacitance during the electric characteristic test.

REMARKS:	APPROVED BY	CHECKED BY	PREPARED BY
Sleeve Color: Black.	张洪斌	曾爱娥	梁慧妍

Aluminum Electrolytic Capacitor

Customer	Digi-Key	SERIES	PJ	NO.:	PUBLISH DATE	2022-03-25
-----------------	-----------------	---------------	-----------	-------------	---------------------	-------------------

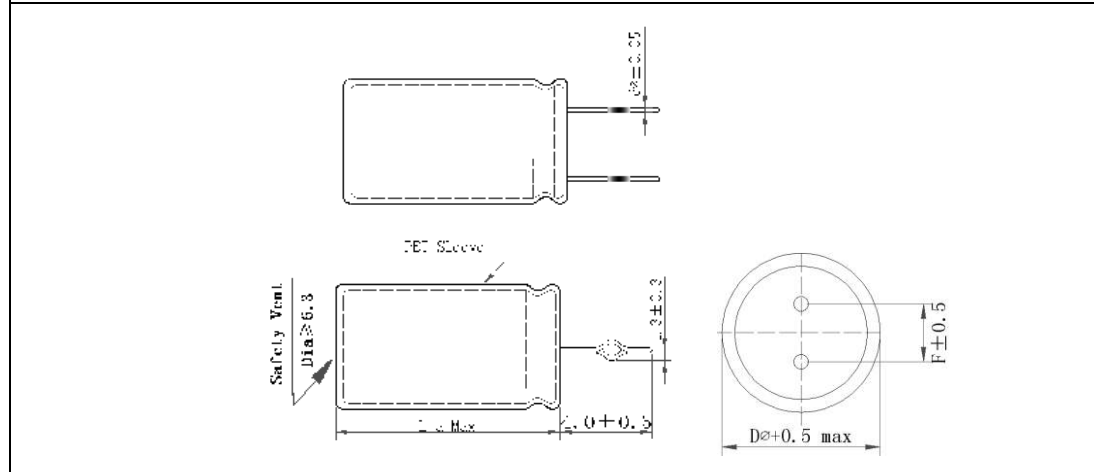


FIG-1

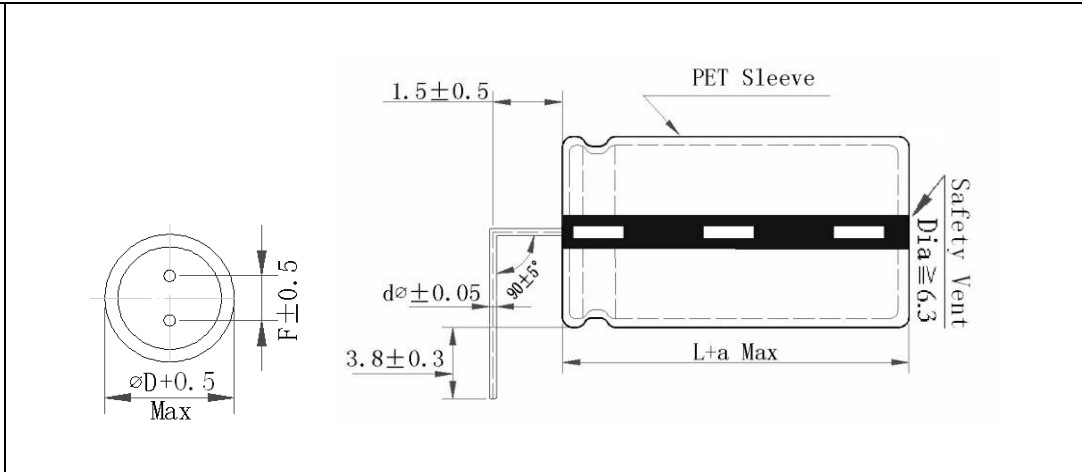


FIG-2

No.	CHINSAN Part No.	Customer Part No.	Capacitance (uF)	Tolerance On rated Capacitance (%)	Working Voltage (Vdc)	Surge Voltage (Vdc)	Category Temp Range (°C)	Tanδ @ 25°C (120Hz) (Max)	Leakage Current (uA) (2 min.)	Rated Ripple Current (mA rms) @ 105°C 120Hz	Rated Ripple Current (mA rms) @ 85°C 100kHz	ESR @25°C (mΩ max/ 120Hz)	Impedance @20°C (mΩ max/ 100kHz)	Endurance @ 105°C (Hours)	Dimensions (mm)					Appearance Drawing No
															D Φ	L	a	d	F	
1	PJ2W220MBD1620	/	22 μF	±20%	450 V	/	-25~+105	/	/	290	/	/	/	10000	16	20	/	/	7.5	FIG-1
2	PJ2W151MRT1845	/	150 μF	±20%	450 V	/	-25~+105	/	/	1000	/	/	/	10000	18	45	/	/	7.5	FIG-2
3	PJ2W121MRT1836	/	120 μF	±20%	450 V	/	-25~+105	/	/	900	/	/	/	10000	18	36	/	/	7.5	FIG-2
4	PJ2W121MRT1640AF8	/	120 μF	±20%	450 V	/	-25~+105	/	/	800	/	/	/	8000	16	40	/	/	7.5	FIG-2

※Test leakage current before testing dissipation factor and capacitance during the electric characteristic test.

REMARKS: Sleeve Color: Black. Suffix F8 indicates the life of the capacitor is 8000 hrs.	APPROVED BY 张洪斌	CHECKED BY 曾爱娥	PREPARED BY 梁慧妍
---	---------------------------	--------------------------	---------------------------