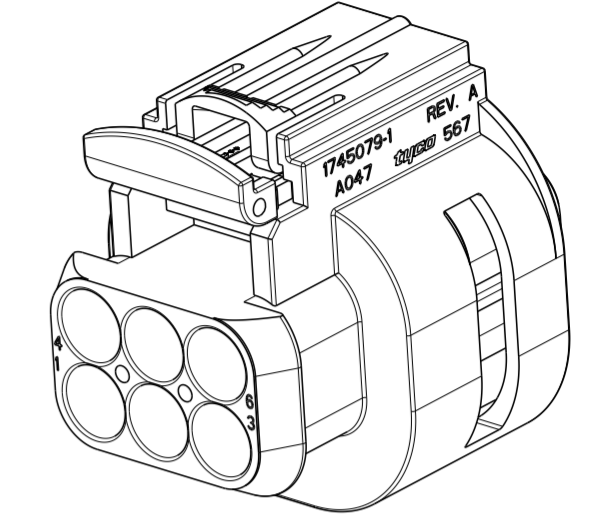
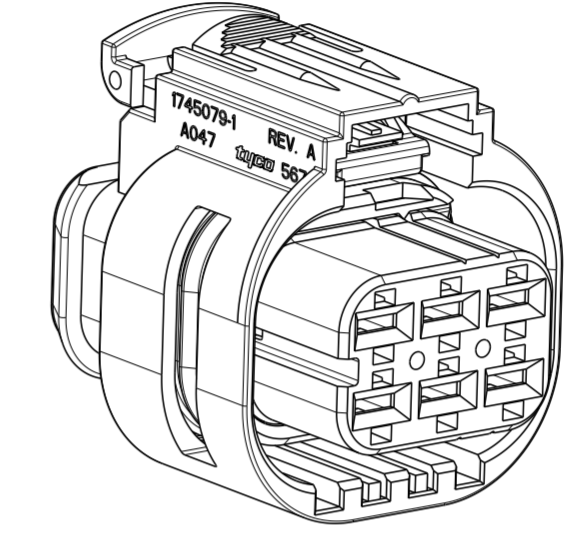
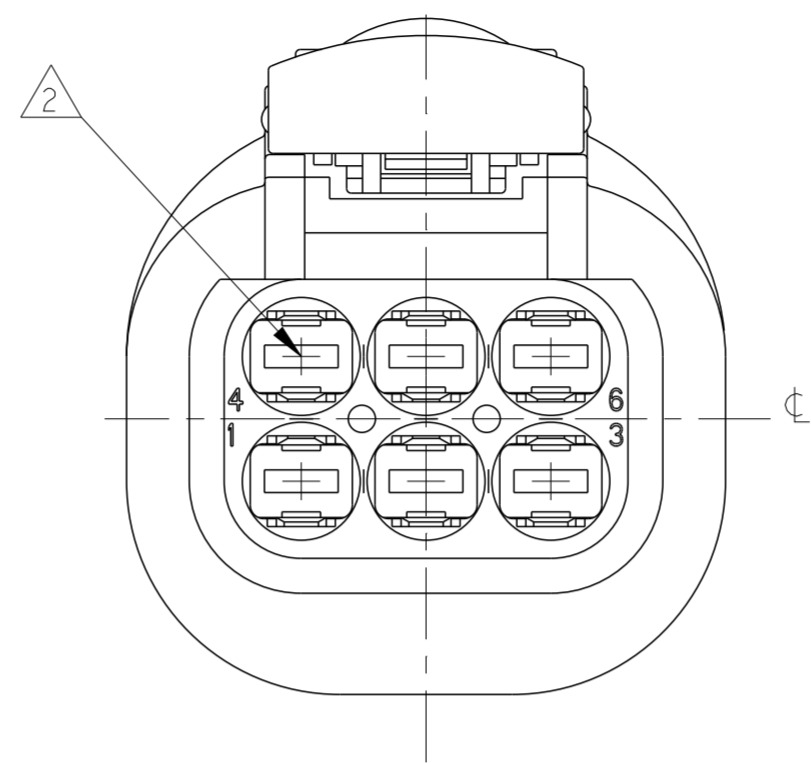
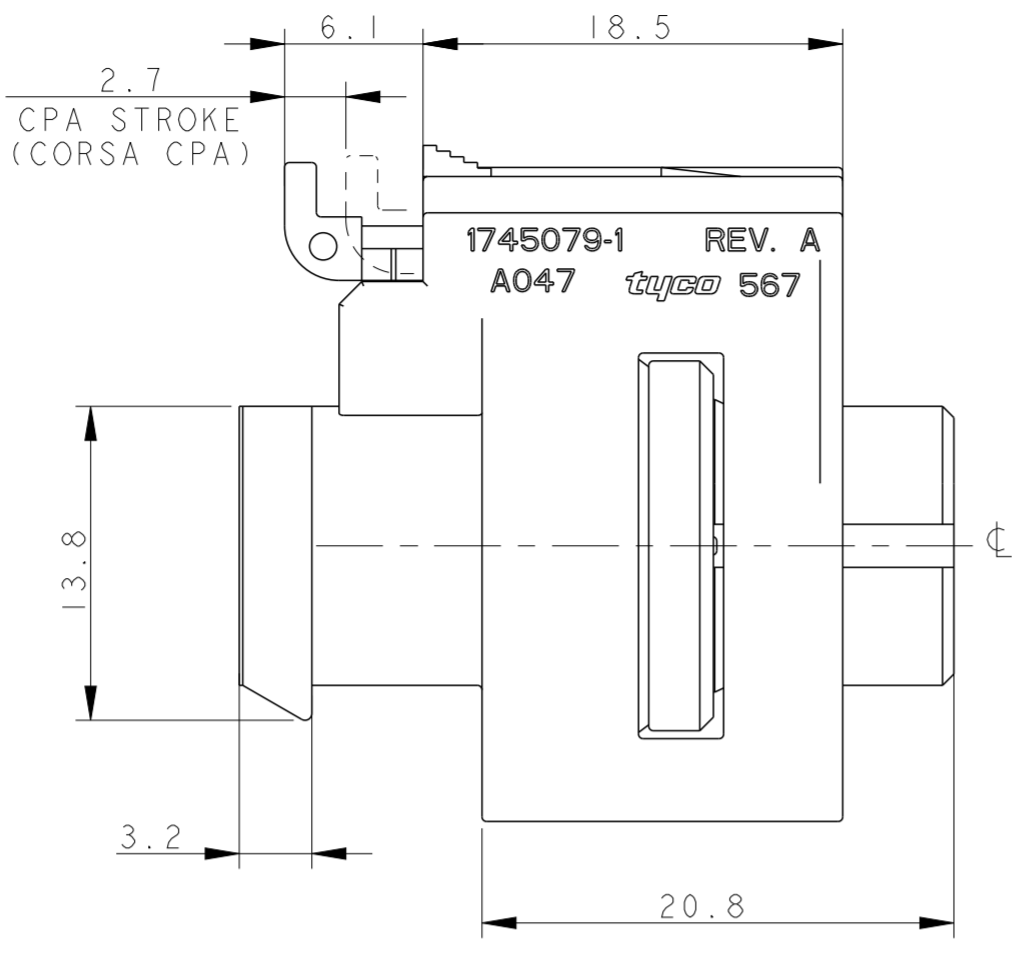
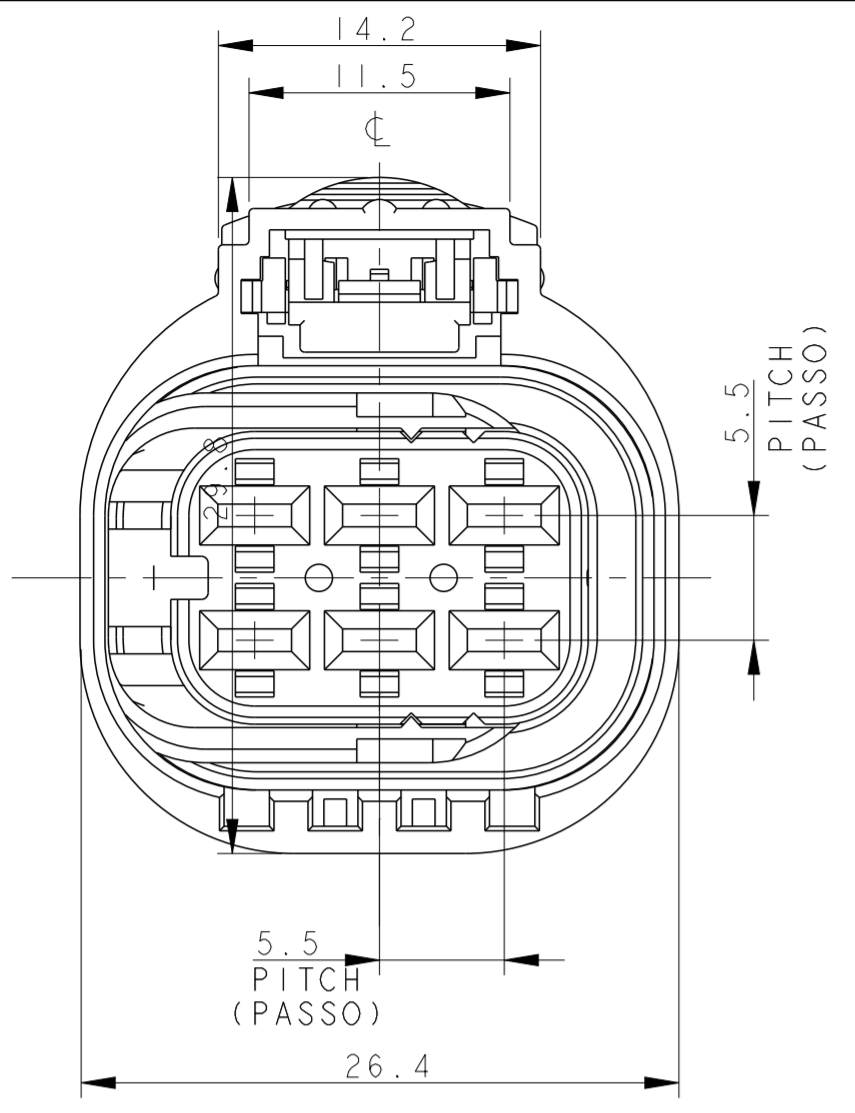
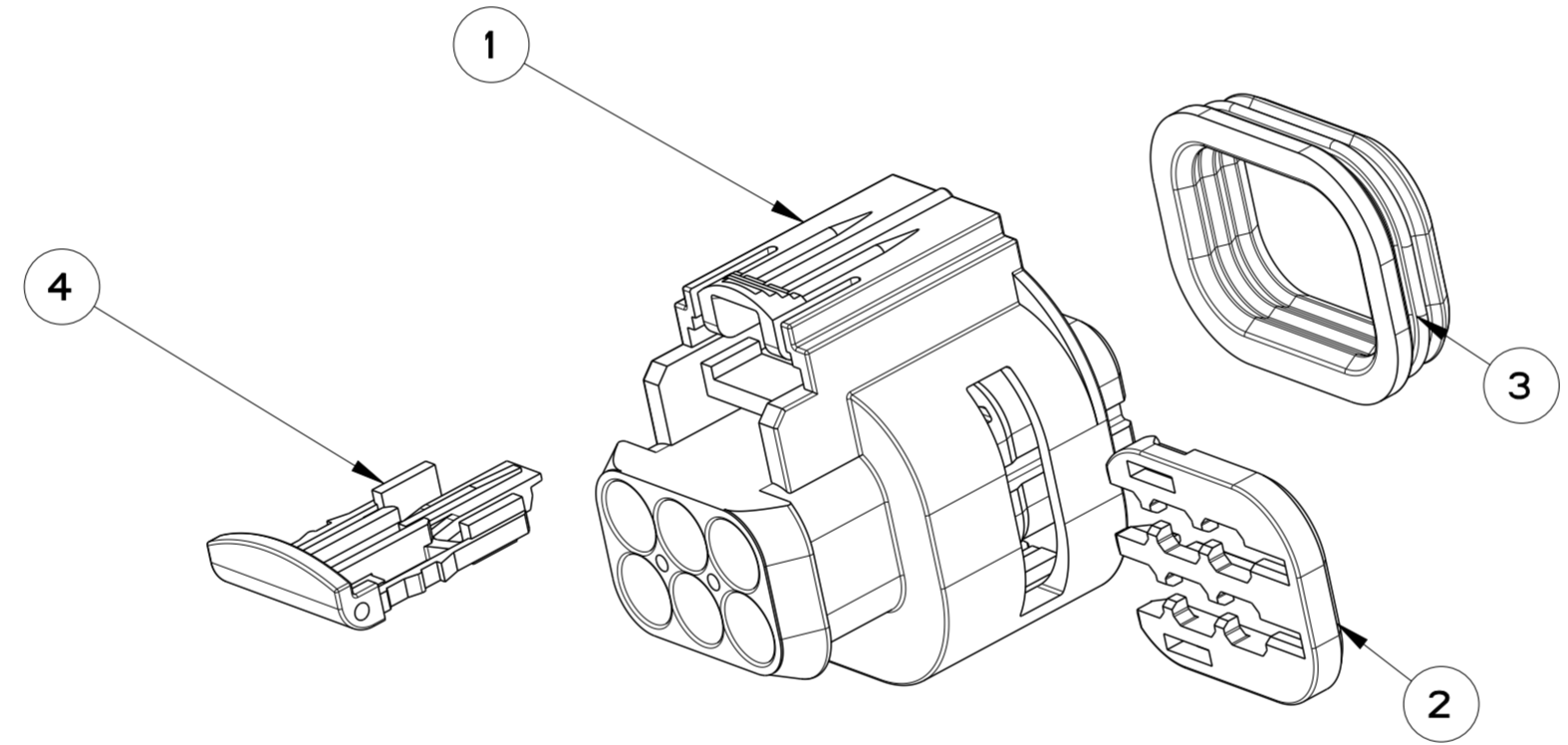
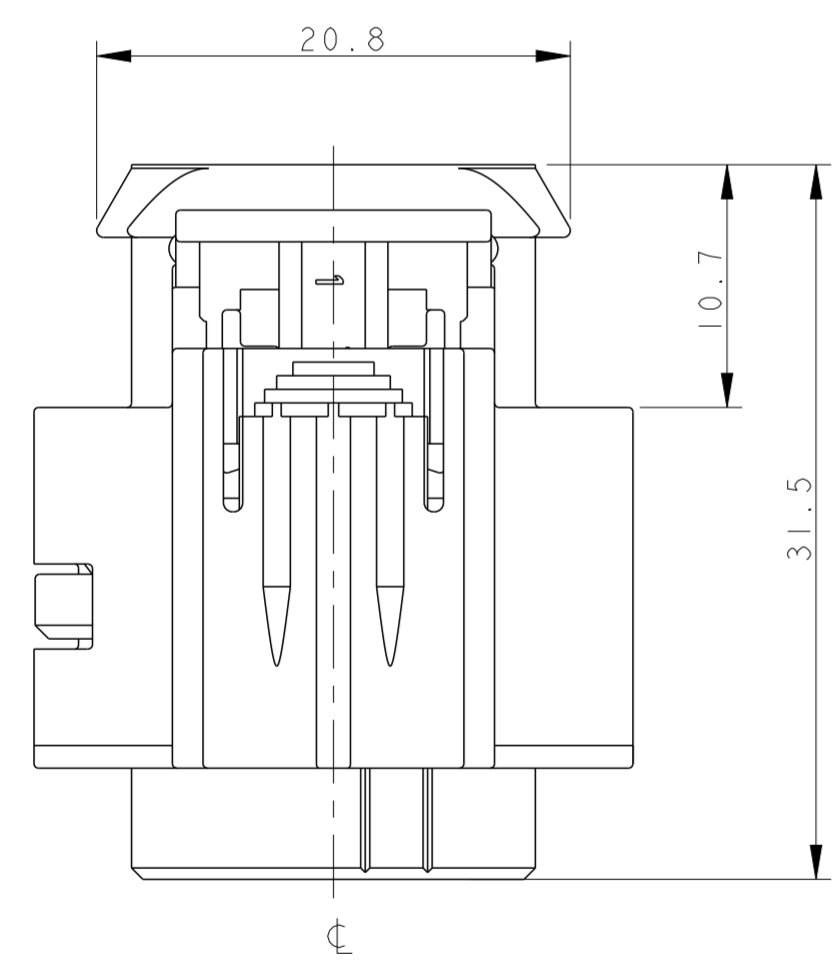


THIS DRAWING IS UNPUBLISHED. RELEASED FOR PUBLICATION 2003
© COPYRIGHT 2003 BY - ALL RIGHTS RESERVED.

REVISIONS					
P	LTR	DESCRIPTION	DATE	DWN	APVD
A		RELEASED FOR PRODUCTION	17OCT2007	M.P.	R.M.
AI		ECO-16-007463	17MAY2016	M.P.	M.G.



SCALE 2:1



SCALE 2:1

1) FEMALE CONNECTOR SUPPLIED WITH SECONDARY LOCK AND C.P.A. PRE-ASSEMBLED

(CONNETTORE PORTAFEMMINE FORNITO CON AGGANCIAMENTO SECONDARIO E C.P.A. PRE-MONTATI)

2) CAVITY SUITABLE FOR AMP MCP 2.8K CONTACTS TIN PLTD:
 P/N 0-1241392-1 WIRE RANGE: 0.35 mm², WIRE SEAL P/N 963294-1
 P/N 0-1241394-1 WIRE RANGE: 0.5±1.0 mm², WIRE SEAL P/N 963294-1
 P/N 0-1241396-1 WIRE RANGE: >1.0+1.5 mm², WIRE SEAL P/N 963293-1
 P/N 0-1241396-1 WIRE RANGE: 2.5 mm², WIRE SEAL P/N 963292-1
 CAVITY PLUG P/N 828922-1

(CAVITA' ADATTA PER CONTATTI AMP MCP 2.8K STAGNATO:
 P/N 0-1241392-1 RANGO FILO 0.35 mm², GOMMINO P/N 963294-1
 P/N 0-1241394-1 RANGO FILO 0.5±1.0 mm², GOMMINO P/N 963294-1
 P/N 0-1241396-1 RANGO FILO >1.0+1.5 mm², GOMMINO P/N 963293-1
 P/N 0-1241396-1 RANGO FILO 2.5 mm², GOMMINO P/N 963292-1
 TAPPO CAVITA' P/N 828922-1

3) FOR COUNTERPART INTERFACE DRAWING SEE CUSTOMER DRAWING P/N 114-18642. WIRE TO WIRE COUNTERPART P/N 1452324

(PER IL DISEGNO DELLA CONTROPARTE DI INTERFACCIA, VEDERE DISEGNO CLIENTE P/N 114-18642. CONTROPARTE VOLANTE P/N 1452324)

P/N 1745078-2
 HOUSING: PBT GF COLOR BLACK
 (CONNETTORE: PBT CARICATO VETRO, NERO)

4) PLUGGED CAVITIES (Nr. 2-5)
 (CAVITA' TAPPATE Nr. 2-5)

FRONT VIEW (VISTA FRONTALE) BACK VIEW (VISTA POSTERIORE)

SCALE 2:1

P/N 1745078-1 AS SHOWN (COME MOSTRATO)

ITEM	DESCRIPTION (DESCRIZIONE)	MATERIAL (MATERIALE)	COLOUR (COLORE)	Q.TY (Q.TA')
1	6POS. FEMALE HOUSING (6 VIE PORTA-FEMMINE)	PBT G.F.	GREY (GRIGIO)	1
2	SECONDARY LOCK (DISPOSITIVO SECONDARIO)	PA66 G.F.	RED (ROSSO)	1
3	PERIPHERAL SEAL (GUARNIZIONE)	LSR (GOMMA SILICONICA)	RED (ROSSO)	1
4	C.P.A.	PA66 G.F.	YELLOW (GIALLO)	1

THIS DRAWING IS A CONTROLLED DOCUMENT.

DIMENSIONS: mm

TOLERANCES UNLESS OTHERWISE SPECIFIED:
 0 PLC ±0.5
 1 PLC ±0.3
 2 PLC ±0.1
 3 PLC ±
 4 PLC ±
 ANGLES ±°

MATERIAL: SEE TABLE (VEDI TABELLA)
 FINISH: SEE TABLE (VEDI TABELLA)

DWN: M. POLIZZI 06SEP2005
 CHK: O. CANUTO 06SEP2005
 APVD: A. GENIA 06SEP2005

PRODUCT SPEC: 108-20274
 APPLICATION SPEC: -

WEIGHT: -

CUSTOMER DRAWING

NAME: 6 POS AMP MCP 2.8K RECEPTACLE CONNECTOR ASSY (ASSEMBLATO) 6 VIE PER CONTATTO AMP MCP2.8K)

SIZE: A2 CAGE CODE: - DRAWING NO: C-1745078

RESTRICTED TO: -

SCALE: 3:1 SHEET: 1 OF 1 REV: AI

STE TE Connectivity