



0.5-26.5 GHz

Octave Band 2- and 4-Way SMA Power Dividers

- Operation to 26.5 GHz
- Excellent Phase and Amplitude Tracking
- High Isolation Between Output Ports
- Small Size
- Operational Temperature Range:
-55° to +85°C

Specifications

SMA (F) and 2.92 mm (F), 2-Way, 0.5 to 26.5 GHz, 30 W

FREQUENCY RANGE (GHz)	MODEL	CONNECTOR	VSWR (max.)		INSERTION LOSS (dB max.)	ISOLATION (dB min.)	AMPLITUDE BALANCE (dB max.)	PHASE BALANCE (max.)	AVERAGE POWER* (W)			WEIGHT	
			INPUT	OUTPUT					A	B	C	oz.	gr.
0.5-1.0	4311B-2	SMA (F)	1.25	1.15	0.45	22	0.2	2°	30	20	3	1.1	30
1-2	4312B-2	SMA (F)	1.25	1.15	0.35	20	0.2	2°	30	20	3	0.9	23
2-4	4313B-2	SMA (F)	1.30	1.20	0.40	20	0.2	2°	30	20	3	0.8	20
4-8	4314B-2	SMA (F)	1.35	1.25	0.60	20	0.2	2°	30	20	3	0.8	20
8-12.4	4315-2	SMA (F)	1.35	1.30	0.50	20	0.2	3°	30	10	1	0.8	20
12-18	4316-2	SMA (F)	1.40	1.35	0.70	19	0.3	6°	30	10	1	0.8	20
18-26.5	4317C-2	2.92 mm (F)	2.00	2.00	1.00	15	0.5	12°	30	10	1	0.8	20

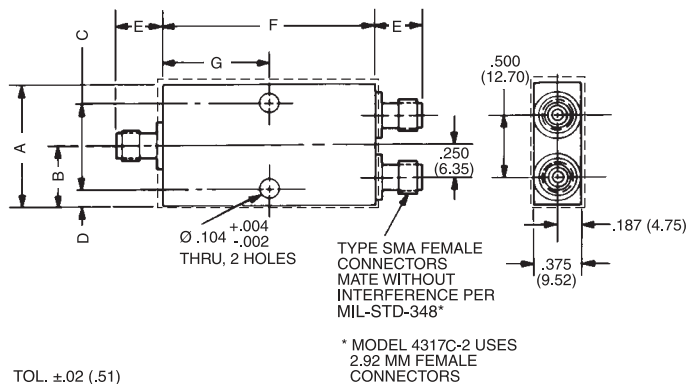
SMA (F), 4-Way, 0.5 to 18 GHz, 30 W

FREQUENCY RANGE (GHz)	MODEL	CONNECTOR	VSWR (max.)		INSERTION LOSS (dB max.)	ISOLATION (dB min.)	AMPLITUDE BALANCE (dB max.)	PHASE BALANCE (max.)	AVERAGE POWER* (W)			WEIGHT	
			INPUT	OUTPUT					A	B	C	oz.	gr.
0.5-1.0	4311C-4	SMA (F)	1.45	1.30	0.90	22	0.3	3°	30	10	1	2.9	80
1-2	4312C-4	SMA (F)	1.40	1.25	0.80	20	0.3	3°	30	10	3	2.0	56
2-4	4313C-4	SMA (F)	1.35	1.35	0.60	20	0.3	3°	30	10	1	2.0	56
4-8	4314B-4	SMA (F)	1.45	1.35	0.50	20	0.3	3°	30	20	3	2.7	75
8-12.4	4315-4	SMA (F)	1.45	1.35	0.80	18	0.4	4°	30	10	1	2.2	60
12-18	4316-4	SMA (F)	1.50	1.40	1.50	18	0.5	6°	30	10	1	2.2	60

* Average Power Rating into a load VSWR of (A) 1.2 to 1, (B) 2 to 1 and (C) ∞VSWR

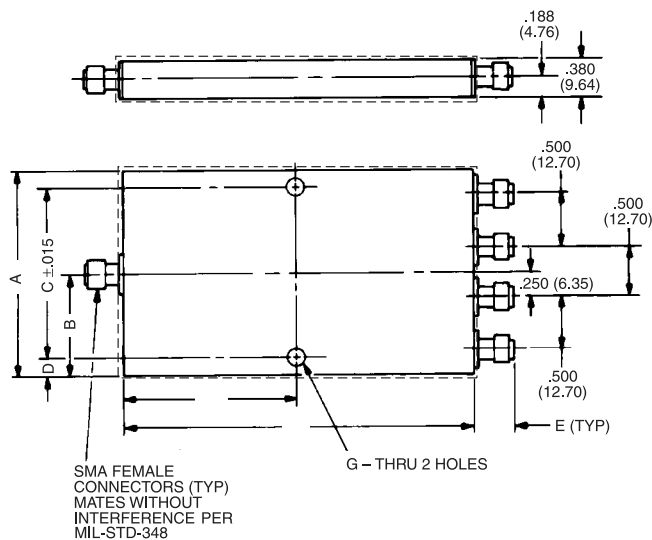
Power Dividers

Outline Drawings



OCTAVE 2-WAY POWER DIVIDERS

MODEL	A	B	C ±.015	D	E	F	G
4311B-2	1.338 (33.98)	.669 (16.99)	1.146 (29.11)	.096 (2.44)	.375 (9.52)	1.204 (30.58)	.602 (15.29)
4312B-2	1.260 (32.00)	.630 (16.00)	1.068 (27.13)	.096 (2.44)	.375 (9.52)	.875 (22.22)	.437 (11.10)
4313B-2	1.010 (25.65)	.505 (12.83)	.818 (20.78)	.096 (2.44)	.375 (9.52)	.875 (22.22)	.437 (11.10)
4314B-2	1.010 (25.65)	.505 (12.83)	.818 (20.78)	.096 (2.44)	.375 (9.52)	.875 (22.22)	.437 (11.10)
4315-2	1.000 (25.40)	.500 (12.70)	.812 (20.62)	.094 (2.39)	.375 (9.52)	.750 (19.05)	.375 (9.52)
4316-2	1.000 (25.40)	.500 (12.70)	.812 (20.62)	.094 (2.39)	.375 (9.52)	.750 (19.05)	.375 (9.52)
4317C-2	1.000 (25.40)	.500 (12.70)	.812 (20.62)	.094 (2.39)	.375 (9.52)	.600 (15.24)	.300 (7.62)



OCTAVE 4-WAY POWER DIVIDERS

MODE;	A	B	C	D	E	F	G	H
4311C-4	2.343 (59.51)	1.171 (29.74)	2.153 (54.68)	.095 (2.41)	.375 (9.52)	2.111 (53.62)	.104 +.004/-0.02	1.055 (26.79)
4312C-4	2.260 (57.40)	1.130 (28.70)	2.070 (52.57)	.095 (2.41)	.375 (9.52)	1.439 (36.55)	.104 +.004/-0.02	.719 (18.26)
4313C-4	2.260 (57.40)	1.130 (28.70)	2.070 (52.57)	.095 (2.41)	.375 (9.52)	1.439 (36.55)	.104 +.004/-0.02	.719 (18.26)
4314B-4	2.260 (57.40)	1.130 (28.70)	2.070 (52.57)	.095 (2.41)	.375 (9.52)	1.500 (38.10)	.104 +.004/-0.02	.750 (19.05)
4315-4	1.940 (49.27)	.970 (24.63)	1.688 (42.87)	.126 (3.20)	.375 (9.52)	1.418 (36.01)	.146	.709 (18.00)
4316-4	1.940 (49.27)	.970 (24.63)	1.688 (42.87)	.126 (3.20)	.375 (9.52)	1.418 (36.01)	.146	.709 (18.00)

Allow .020 for sealant build-up per surface.
 Dimensions in inches (mm in parentheses), unless otherwise specified.