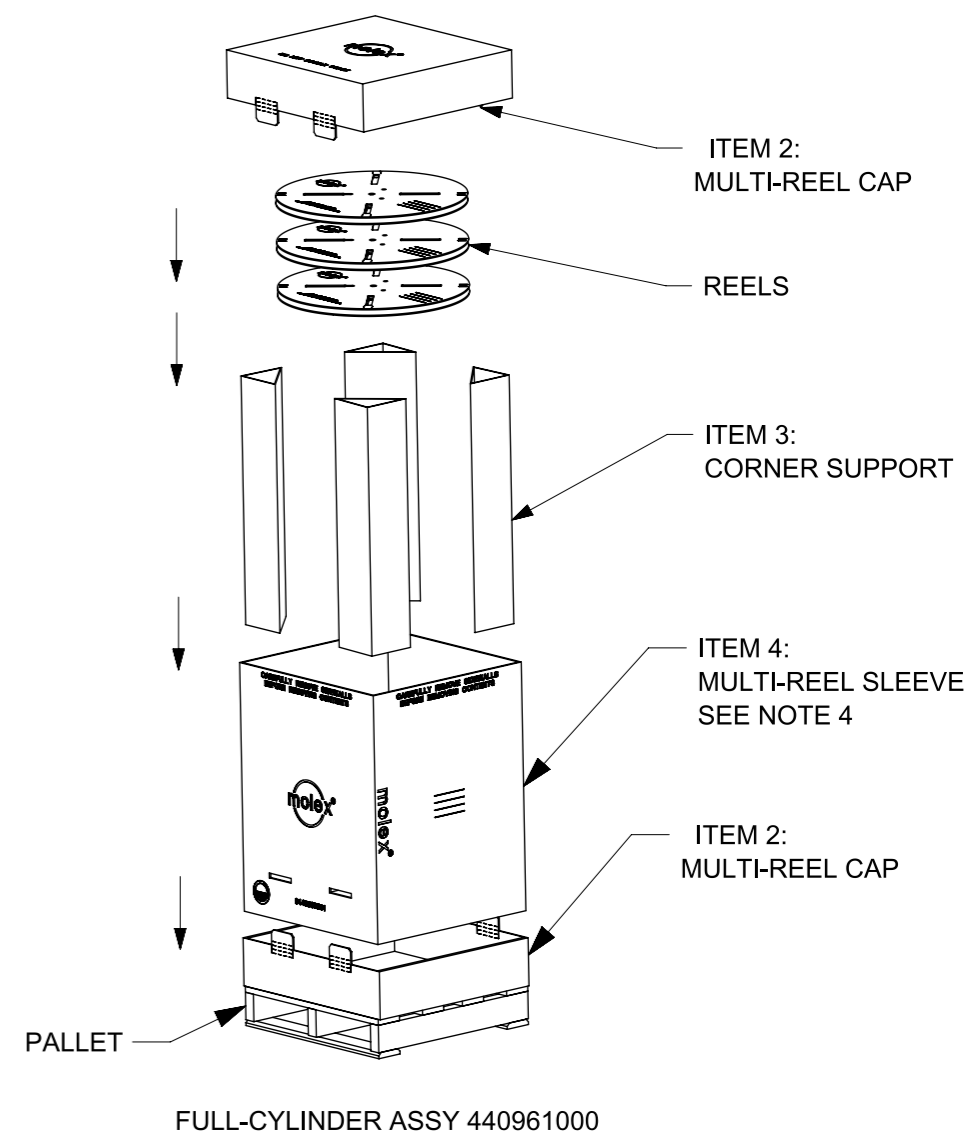
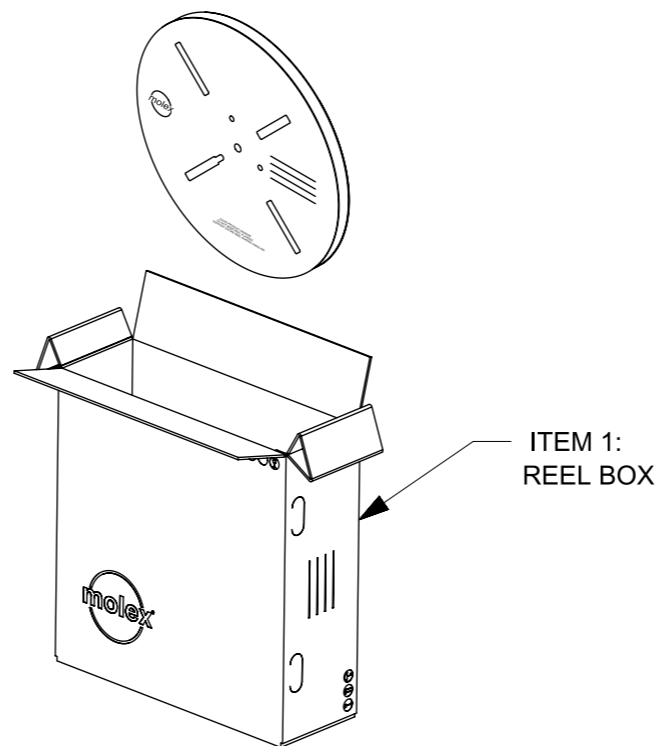
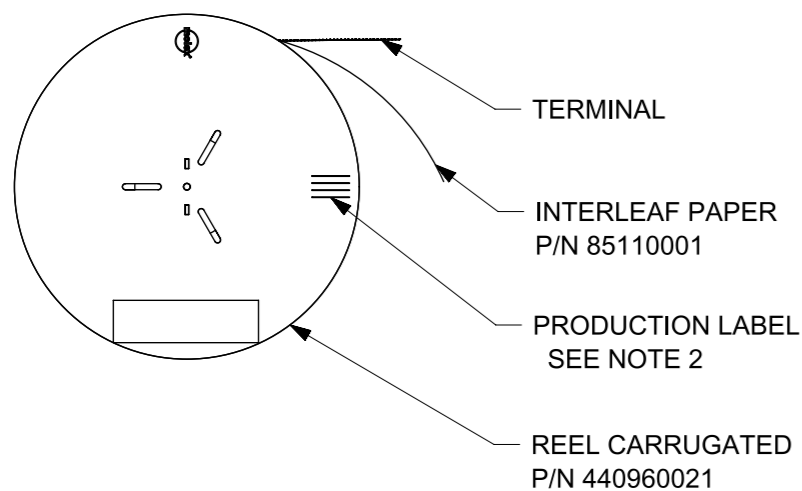
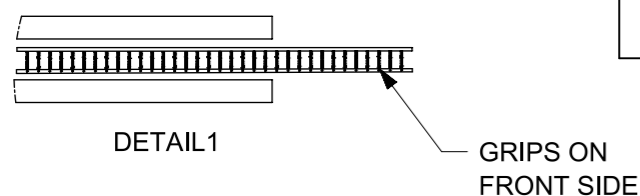
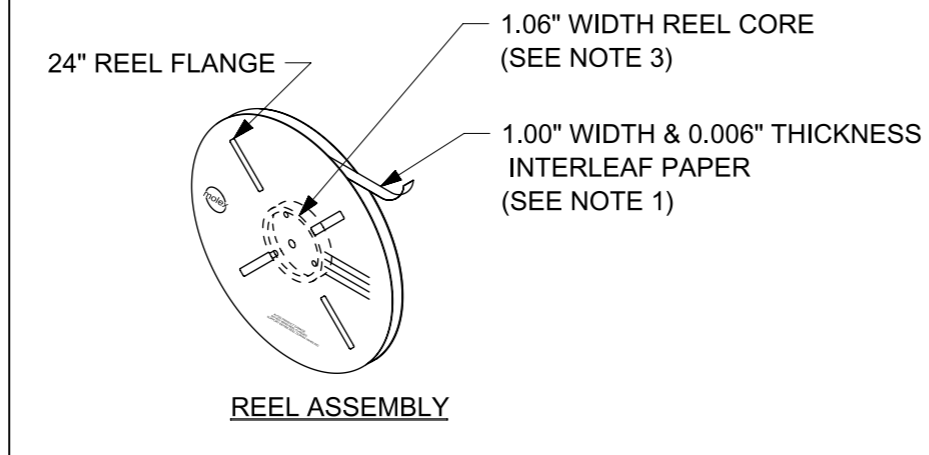
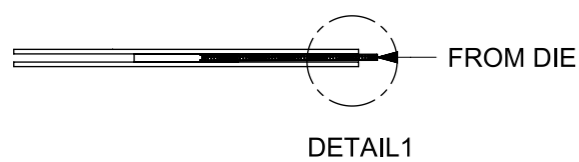


TERMINAL PART NO.	TERMINALS PER REEL (SPQ)
173041-0002	6000
173042-0002	6000

FOR INTERNAL REFERENCE ONLY		
REEL COMPONENT	MATERIAL NUMBER (SEE NOTE 4)	QUANTITY
REEL CORE	30907-6481	1
REEL FLANGE	085065024	2
INTERLEAF PAPER	0865110001	SEE NOTE 1

FOR INTERNAL REFERENCE ONLY				
REELS PER CARTON	ITEM NUMBER	PACKAGING COMPONENT	QUANTITY	PACKAGING MATERIAL NUMBER (SEE NOTE 4)
6	1	6 REELS PER CARTON	1	313012320
4		4 REELS PER CARTON	1	085020010
3		3 REELS PER CARTON	1	085020003
22	2	MULTI-REEL CAP	2	440960003
	3	CORNER SUPPORT	4	440960002
	4	MULTI-REEL CARTON SLEEVE	1	440960001



NOTES:

1. INTERLEAF PAPER TO BE USED THROUGHOUT THE ENTIRE REEL. (REF ES-40000-7005)
2. PRODUCT LABEL AND SHIPPING LABEL TO BE ATTACHED AT THESE APPROXIMATE LOCATIONS. (REF ES-40000-7012)
3. REEL CORE IS CUT TO LENGTH AS INDICATED.
4. REELS MAY BE SHIPPED IN CARTON BOX, SLEEVE ASSEMBLY OR INDIVIDUAL REEL BOXES DEPENDING ON THE QUANTITY OF THE WORK ORDER.

FUNCTIONAL SYMBOLS	THIS DRAWING CONTAINS INFORMATION THAT IS PROPRIETARY TO MOLEX ELECTRONIC TECHNOLOGIES, LLC AND SHOULD NOT BE USED WITHOUT WRITTEN PERMISSION		CURRENT REV DESC: OBSOLETE PART NUMBER		
	$\nabla_A = 0$ $\nabla_F = 0$ $\nabla_P = 0$	DIMENSION UNITS: <b>mm</b> SCALE: <b>1:1</b>	GENERAL TOLERANCES (UNLESS SPECIFIED)		
DIVISIONAL SYMBOLS	4 PLACES ±	MM	INCH	EC NO: 635298	EC NO: 635298 DRWN: AKUMAR19 2020/04/03 CHK'D: GGA 2020/04/30 APPR: GGA 2020/04/30
	3 PLACES ±	0.13	0.25	INITIAL REVISION:	
	2 PLACES ±	0.25	0.5	DRWN: SS06 2015/04/10	DOCUMENT NUMBER: <b>PK-173041-0001</b> DOC TYPE: PDD DOC PART: 000 REVISION: B
	1 PLACE ±	0.5	1.0	APPR: RHODGE 2015/04/21	MATERIAL NUMBER: SEE TABLE CUSTOMER: GENERAL MARKET SHEET NUMBER: 1 OF 1
	0 PLACES ±	1.0	2.0	DRAFT WHERE APPLICABLE MUST REMAIN WITHIN DIMENSIONS THIRD ANGLE PROJECTION DRAWING: A3-SIZE SERIES: 173041	