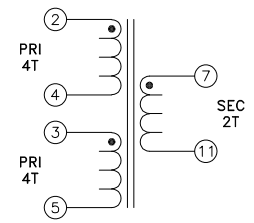
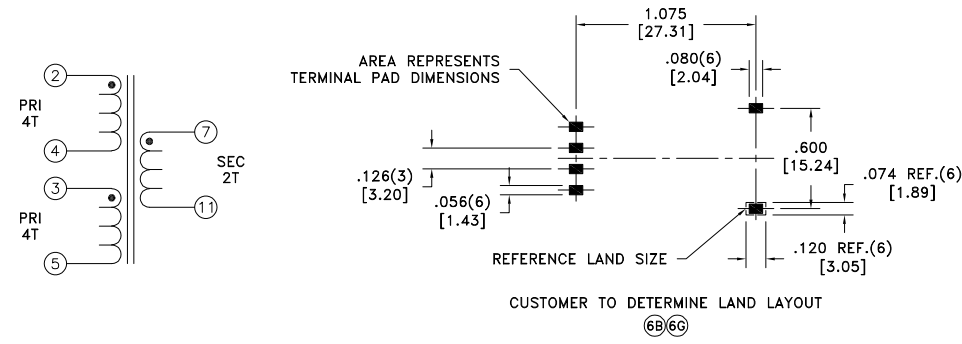
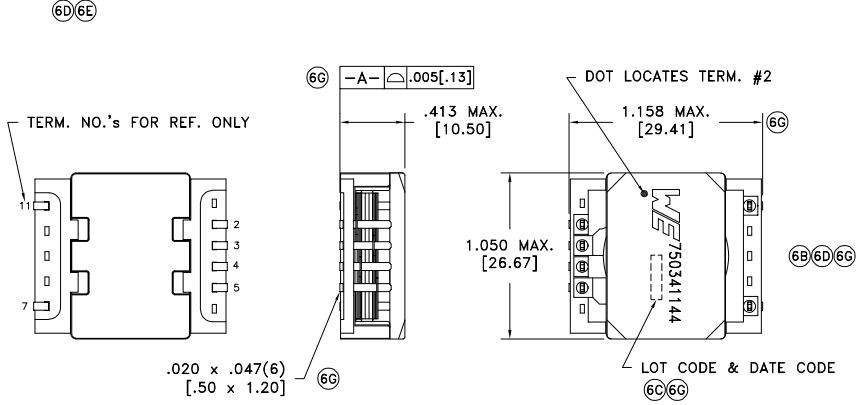


CUSTOMER TERMINAL	RoHS	LEAD(Pb)-FREE
Sn100%	Yes	Yes



ELECTRICAL SPECIFICATIONS @ 25°C unless otherwise noted:

PARAMETER	TEST CONDITIONS	VALUE
6G D.C. RESISTANCE 2-4	@20°C	6.0 mOhms max.
6G D.C. RESISTANCE 3-5	@20°C	6.0 mOhms max.
6G D.C. RESISTANCE 7-11	@20°C	2.2 mOhms max.
6D INDUCTANCE 2-5	tie(3+4), 100kHz, 100mVAC, Ls	260.0uH min.
6E LEAKAGE INDUCTANCE 2-5	tie(3+4, 7+11), 100kHz, 100mVAC, Ls	700nH max.
6D DIELECTRIC 2-7	tie(3+4), 2250VDC, 1 second	-
6G TURNS RATIO (2-4):(7-11)		2:1
6E TURNS RATIO (3-5):(7-11)		2:1

GENERAL SPECIFICATIONS:
 OPERATING TEMPERATURE RANGE: -40°C to +125°C including temp rise.

6F VOLTAGE-TIME: 160VuS

REV.	DATE	Packaging Specifications	CONVENTION PLACEMENT
6G	3/23	Method: Tape & Reel	
6F	2/22	PKG-0793	
6E	4/20	www.we-online.com/midcom	
6D	4/14	SEE REVISION SHEET FOR REVISION LEVEL	

Tolerances unless otherwise specified:
 Angles: ±1° Decimals: ±.005 [.13]
 Fractions: ±1/64 Footprint: ±.005 [.13]

This drawing is dual dimensioned. Dimensions in brackets are in millimeters.

DRAWING TITLE
TRANSFORMER

eiSos p/n: 750341144

PART NO.
750341144

SPECIFICATION SHEET 1 OF 1

