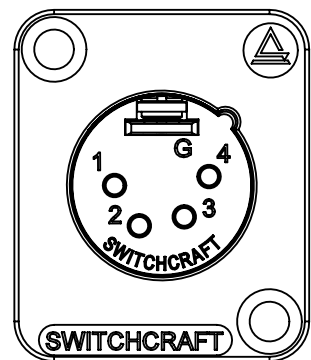
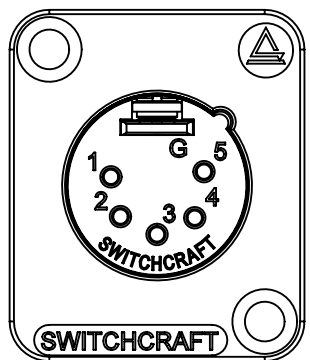


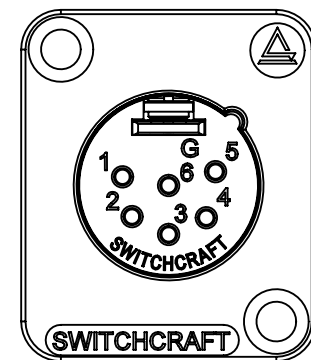
**DE3M**  
3 PIN



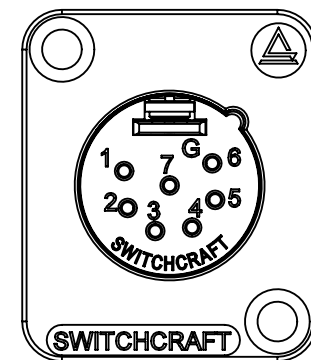
**DE4M**  
4 PIN



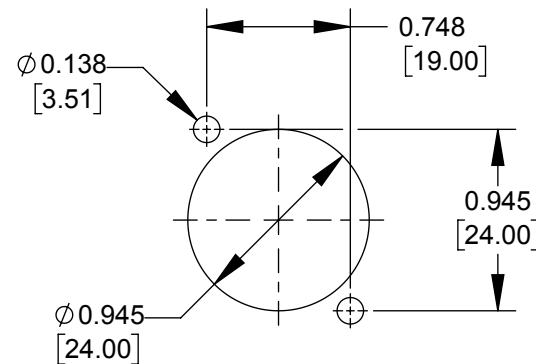
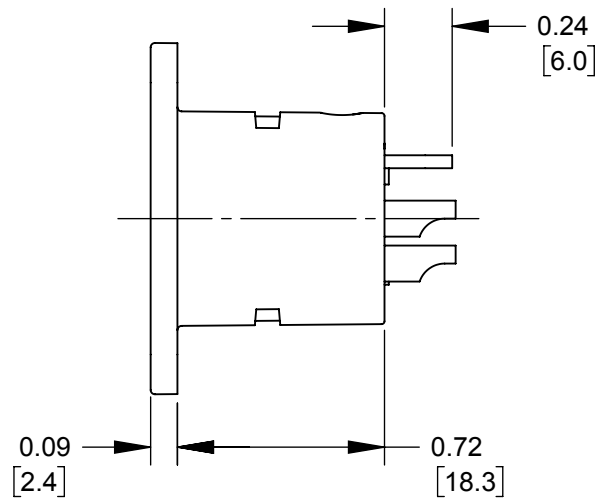
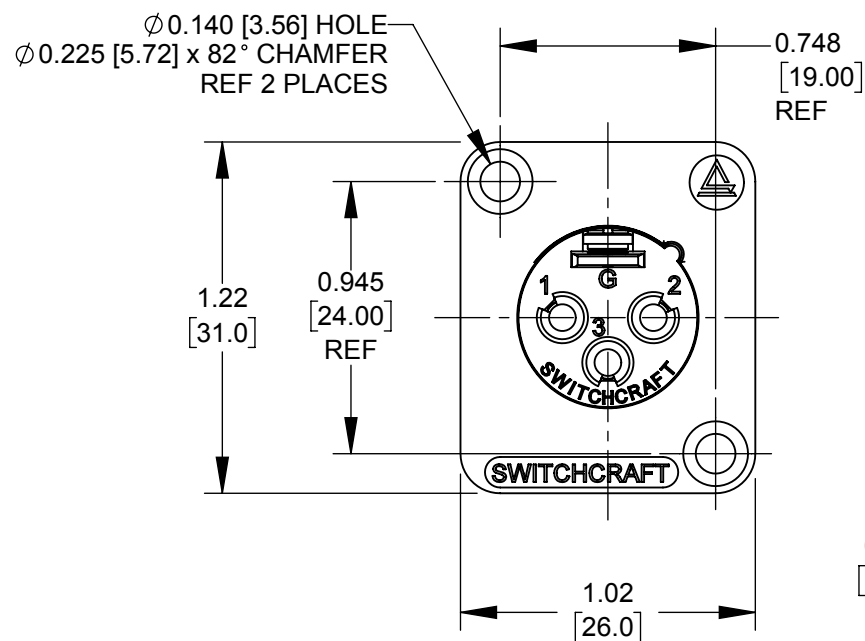
**DE5M**  
5 PIN



**DE6M**  
6 PIN



**DE7M**  
7 PIN



RECOMMENDED  
PANEL CUT - OUT

**DE**      **M**

NUMBER OF CONTACTS

3 - 3 CONTACTS  
4 - 4 CONTACTS  
5 - 5 CONTACTS  
6 - 6 CONTACTS  
7 - 7 CONTACTS

MALE CONNECTOR

CONTACT PLATING  
BLANK - SILVER (STANDARD)  
**AU** - GOLD

HOUSING FINISH  
BLANK - NICKEL HOUSING WITH GREEN INSERT  
**B** - BLACK EPOXY HOUSING WITH BLACK INSERT  
**W** - WHITE EPOXY HOUSING WITH GREEN INSERT **(B)**

BLANK - BULK PACKAGING  
PKG - INDIVIDUAL PACKAGE  
WITH #4-40 x 0.50 LONG SCREWS

NOTES:

1. MATERIALS:

HOUSING - ZINC ALLOY, NICKEL PLATED OR BLACK PAINTED OR WHITE PAINTED  
INSERT SCREW - STAINLESS STEEL  
INSERT - THERMOPLASTIC, GREEN OR BLACK  
CONTACT PINS - COPPER ALLOY, SILVER OR GOLD PLATED  
SOLDER TERMINAL - COPPER ALLOY, TIN PLATED

2. THESE PARTS ARE RoHS COMPLIANT.

**CUSTOMER DRAWING**

					THIS DRAWING DESCRIBES A DESIGN CONSIDERED PROPRIETARY IN NATURE, DEVELOPED AND MANUFACTURED BY SWITCHCRAFT INC. AND IS RELEASED ON A CONFIDENTIAL BASIS FOR IDENTIFICATION PURPOSES ONLY.						
					SIZE	WIDTH	MULT	LBS/M	TEMPER		
					FINISH			MATERIAL			
					SPEC No.			SPEC No.			
					FIRST USED ON		SCALE				
							3:2				
					DATE DRAWN	BY	CHKD	APVD			
					12-19-12	SRC	SRC	TJK			
							12-19-12	2-13-15			
					NAME <b>D SERIES MALE QG WITH EH SERIES MOUNTING</b>					PART No.	REV
										<b>DE3M - DE7M SERIES</b>	<b>B</b>
REVISIONS					DO NOT SCALE DRAWING						