

**TM-3000™ and TM-4000™
Press Adapter Kit for
Hirose* Applicator**



**Application Tooling
Specification Sheet**



Order No. 63801-8800

FEATURES

- This Press Adapter Kit is used to install the Hirose* AP105 series applicators in the Molex® TM-3000™ or TM-4000™ press.
- Positive clamping to the press.
- Minimal installation time with common metric hex wrenches.

DESCRIPTION

- This Press Adapter Kit is designed for the Hirose* AP105 series applicators. This adapter kit allows the Hirose* applicator to be installed into a Molex TM-3000™ (63801-7200 and 63801-7300) or TM-4000™ (63801-7600) press. See Figure 1.

**HIROSE
APPLICATOR**

**TM-4000™
PRESS
63801-7600**

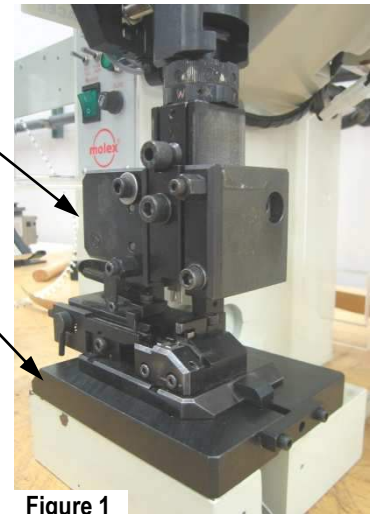


Figure 1



Always turn off and disconnect the power supply to the press when installing or removing this Press Adapter Kit or the Hirose* applicator. Refer to the Molex® TM-3000™ / TM-4000™ press manual, document number TM-638017299 found at www.molex.com.

Note: Once the press guard is open, the guard interlock switch will disconnect power to the motor.

Changes to Press

The following changes are required to install the Press Adapter Kit for a Hirose* applicator in a Molex® TM-3000™ or TM-4000™ press:

1. The original Press Yoke (63801-7216) must be removed. See Figure 2. Note: This is held in place with double M6 set screws (in the same tapped hole) in the Mounting Block.
2. The Quick Change Plate (63801-7220) on the press must be removed. See Figure 2. Note: This is held in place with two (2) M6 x 20mm socket head cap screws.

**PRESS YOKE
REMOVED FROM
THE MOUNTING
BLOCK**

SET SCREW (2)

**QUICK
CHANGE
PLATE**

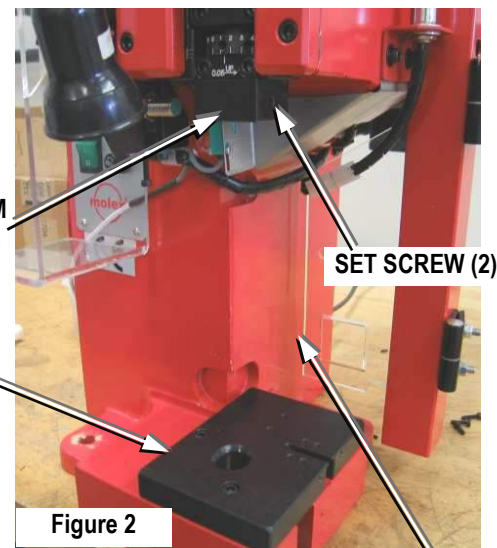
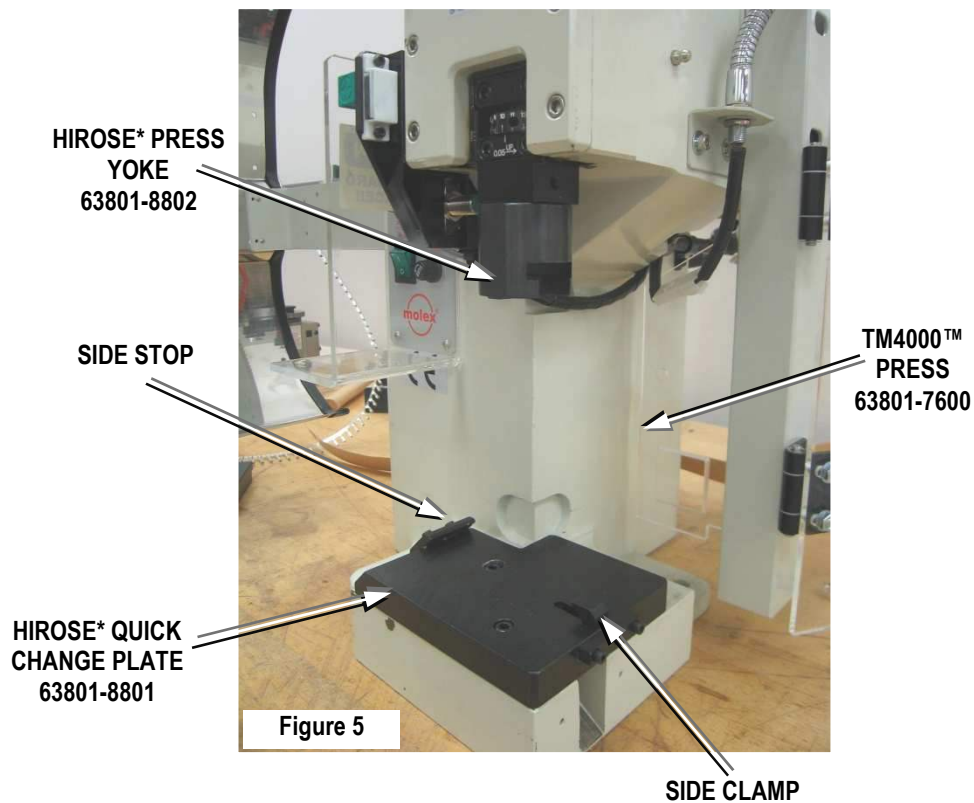
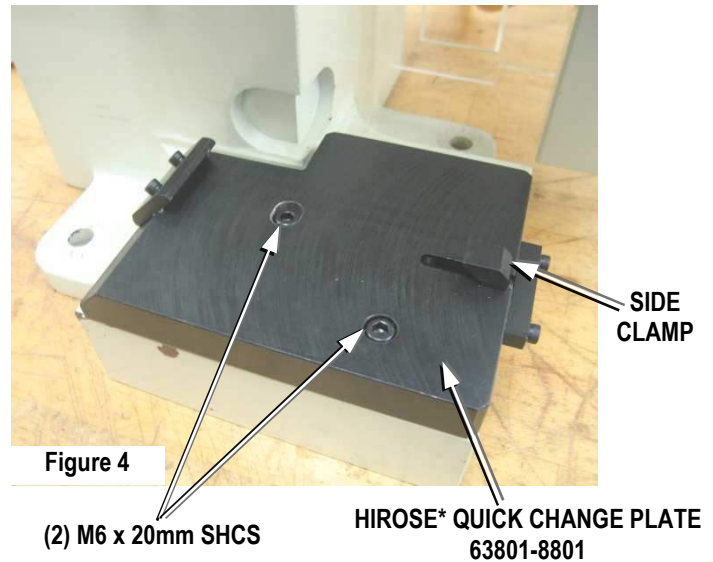
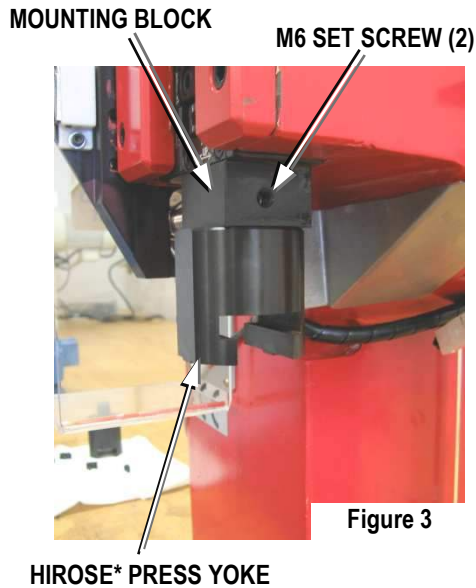


Figure 2

**TM-3000™ PRESS
63801-7200**

Press Adapter Kit Setup

1. Attach the Hirose* press yoke (63801-8802) to the Mounting Block in the press. See Figure 3.
2. Tighten the M6 set screw with a 3mm hex wrench to secure the Press Yoke. Add the second M6 set screw and tighten it against the first set screw. See Figure 3.
3. The lower portion (Quick Change Plate) of the Press Adapter Kit needs to be installed using the same two (2) M6 x 20mm socket head cap screws that were used on the standard Quick Change Plate. See Figure 4.



Applicator Installation and Removal



Always turn off and disconnect the power supply to the press when installing or removing this Press Adapter Kit or the Hirose* applicator. Refer to the Molex® TM-3000™ / TM-4000™ press manual, document number TM-638017299 found at www.molex.com.

- 1 Open the press guard.
- 2 Clean the lower portion (Quick Change Plate) of the Press Adapter Kit of scrap or chips that may interfere with the Hirose* applicator installation.



Molex® recommends a soft brush; **do not use** compressed air to clean the equipment. The forces created by compressed air can force debris into the tool. Failure to observe these precautions may result in injury or property damage.

- 3 To install the Hirose* applicator in the TM-3000 and TM-4000 presses follow the procedure below:
 - a. Using a 4mm hex wrench, turn the M5 SHCS clockwise until the Side Clamp is fully opened. See Figure 5.
 - b. Slide the applicator ram lug bolt into the Press Yoke.
 - c. Pull the applicator down, extending the applicator ram, to seat the applicator base plate to the Quick Change Plate.
 - d. Slide the Hirose* applicator along the Quick Change Plate until it is captured by the Side Stop.
 - e. To lock applicator, tighten the Side Clamp by turning the M5 x 40mm SHCS counterclockwise until tight.
- 4 Close the press guard.
- 5 Hand cycle press. (See: *Manually Cycling the Press* section of the Molex® TM-3000™ / TM-4000™ press manual, document number TM-638017299 linked to part number 63801-7200, available at www.molex.com).
- 6 Reconnect power.
- 7 Turn press power switch to on.
- 8 Load terminals and make sample crimps.

NOTE: If crimp height cannot be adjusted via the rings on the Hirose* applicator, the press shut height may need to be re-adjusted. See document number TM-638017299, section 3.4.

For removal of the Hirose* applicator, reverse the previous steps.



CAUTION: Guard removed for visual purposes in all Figures. Never run the press without guards installed.

Contact Information

For more information on Molex® application tooling please contact Molex® at 1-800-786-6539.

Visit our Web site at <http://www.molex.com>

Parts List

63801-8800 Hirose* Press Adapter Kit (Figure 6)				
Item	Order No.	Engineering No.	Description	Qty
1	N/A	N/A	Retainer-Clamp	1
2	63801-8801	63801-8801	Quick Change Plate	1
3	63801-8802	63801-8802	Press Yoke	1
4	N/A	N/A	Side Stop	1
5	N/A	N/A	Side Clamp	1
Hardware				
6	N/A	N/A	M4 X 12mm long SHCS	4**
7	N/A	N/A	M5 X 40mm long SHCS	1**
** Hardware available from an industrial supply company such as MSC® (1-800-645-7270).				

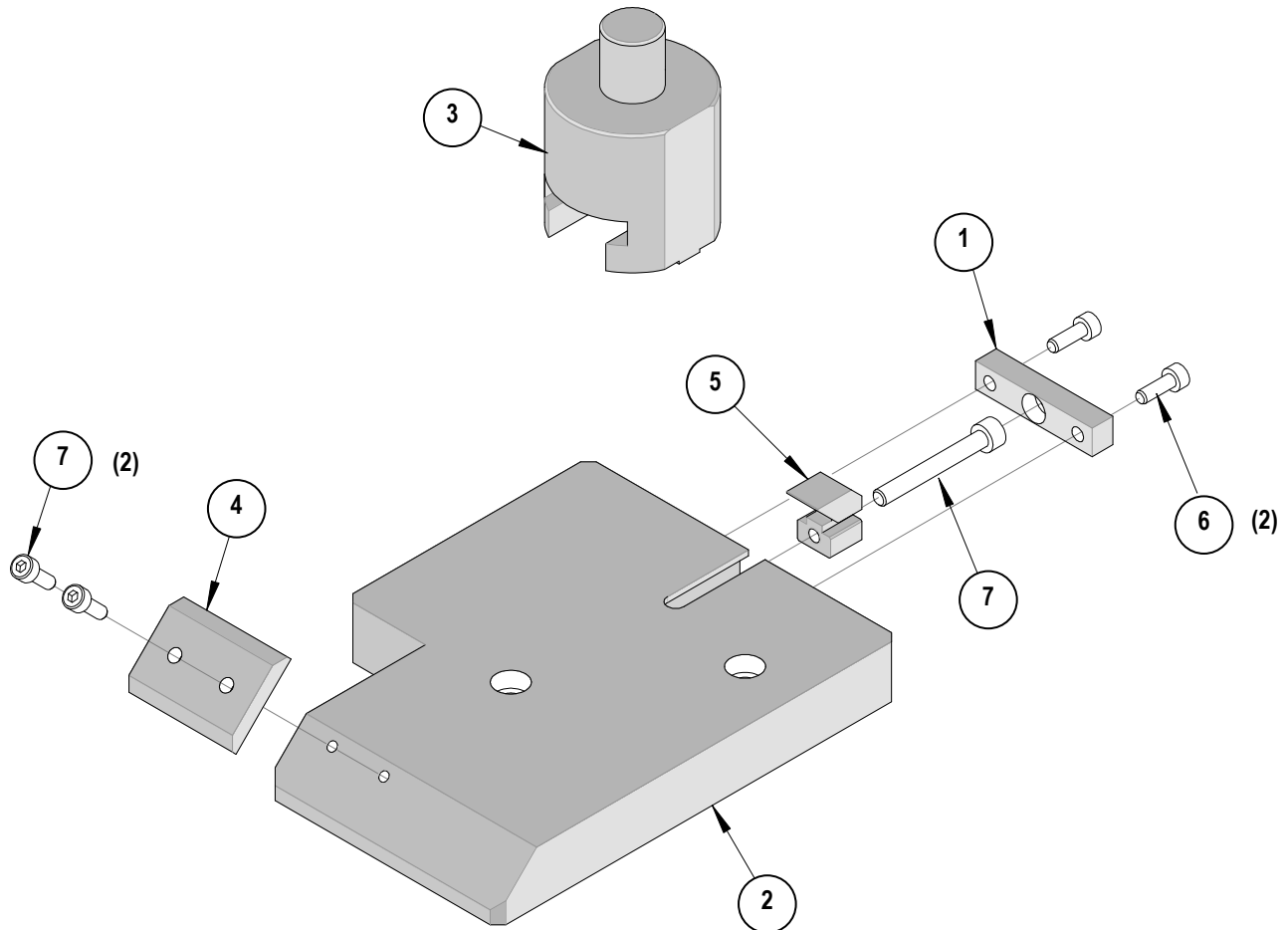


Figure 6