

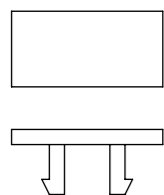
**TABLE 1**

MOLEX P/N	ENG. NO.	CABLE LENGTH (mm)	LED
1202470020	BEB403P-FBW-05	5000	YES
1202470021	BEB403P-FBW-10	10000	YES
1202470022	BEB403P-FBW-15	15000	YES
1202470023	BEB403P-FBW-20	20000	YES
1202470043	BEB4030-FBW-05	5000	NO
1202470044	BEB4030-FBW-10	10000	NO
1202470045	BEB4030-FBW-15	15000	NO

**TABLE 2**

ITEM	COMPONENT	MATERIAL	FINISH
1	INSERT	TPU	BLACK
2	CONTACT SOCKET	COPPER ALLOY	GOLD OVER NICKEL
3	O-RING	VITON	RED
4	RECEPTACLE SHELL	BRASS	NICKEL PLATED
5	HOUSING	PBT	BLACK
6	CABLE	TPU	BLACK
7	LABEL	ABS	WHITE
8	LABEL ADHESIVE	PE	WHITE
9	CABLE PLATE	PBT	BLACK
10	LED	NO LED = PA WITH LED = PA	BLACK TRANSPARENT
11	RESIN	EPOXY	TRANSPARENT

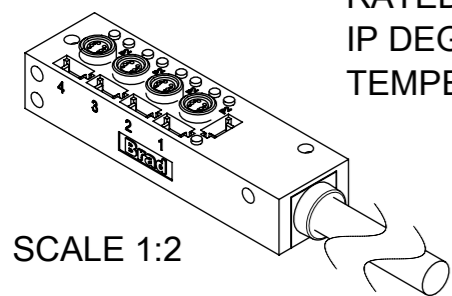
SCALE 2:1



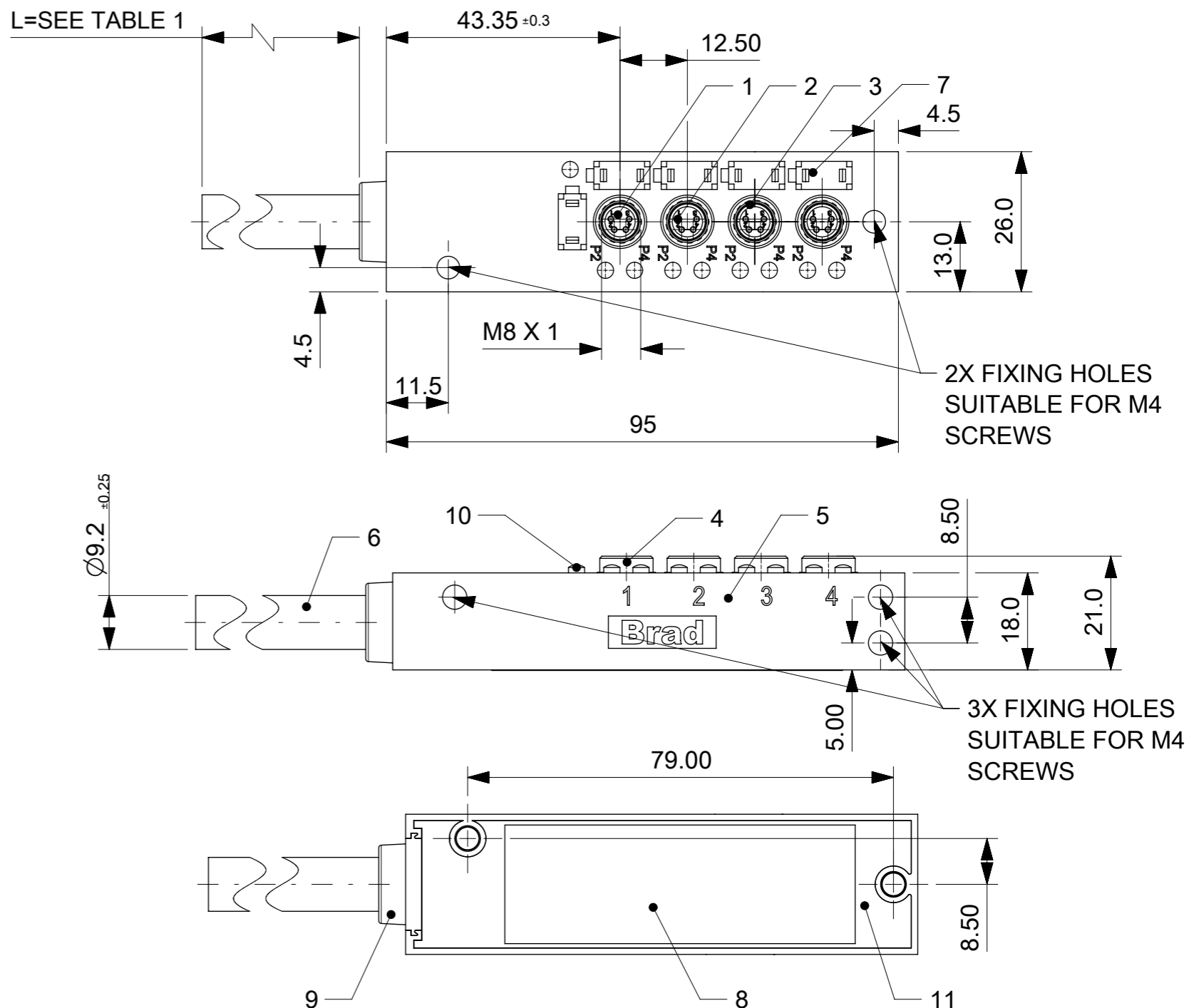
LABEL  
5x packed in a bag.

**GENERAL CHARACTERISTICS:**

NOMINAL VOLTAGE: 24 V DC  
 RATED CURRENT: 2 A PER PORT / 6 A MAX: TOTAL  
 IP DEGREE OF PROTECTION: IP 68  
 TEMPERATURE RANGE: -25°C to + 85°C



SCALE 1:2

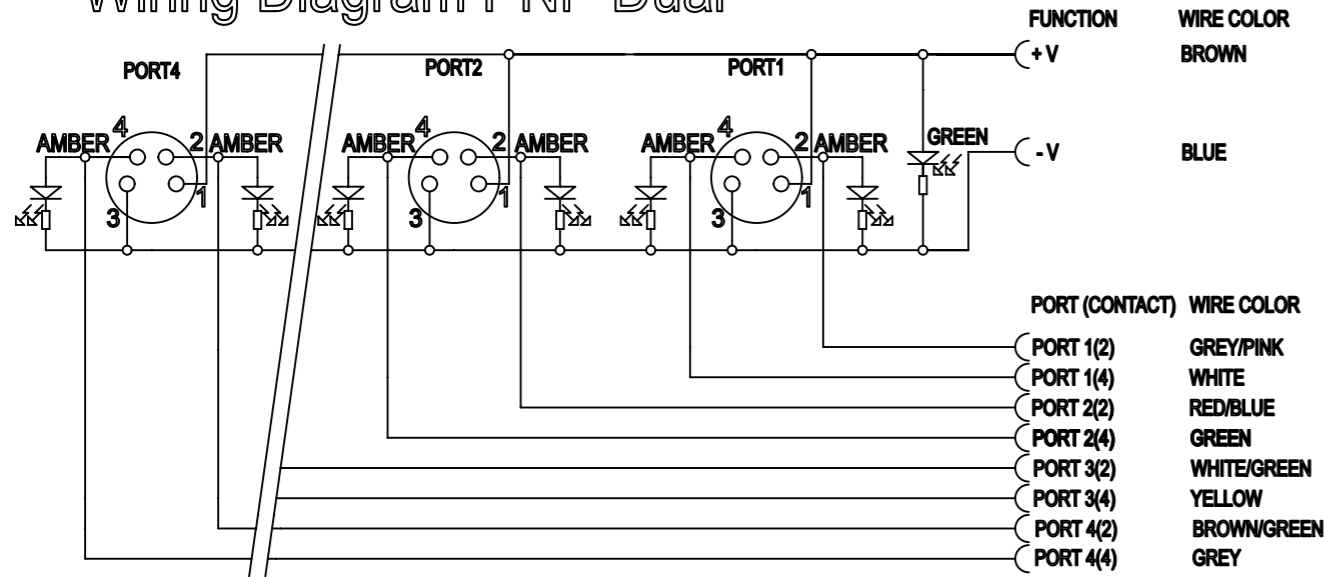


**CABLE LENGTH TOLERANCES**

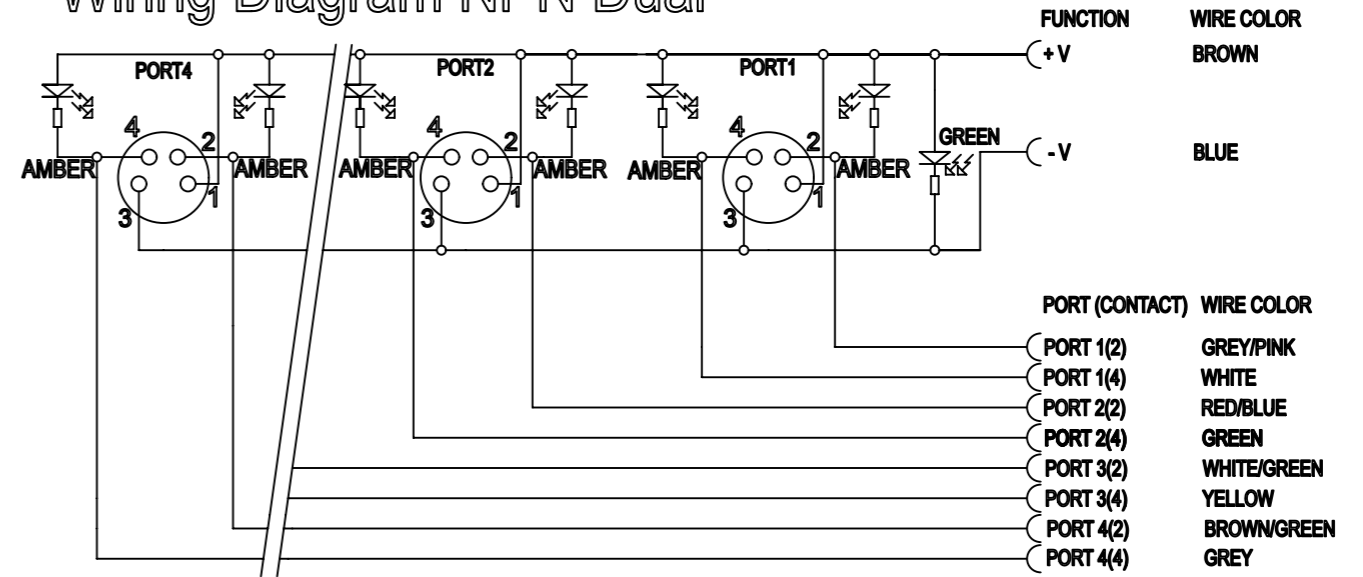
LENGTH	TOLERANCE
0m-1m	+40 mm
>1m-5m	+60 mm
>5m-10m	+80 mm
>10m-20m	+140 mm
>20m-30m	+160 mm
>30m	+1% length

FUNCTIONAL SYMBOLS ∇/A = 0 ∇/E = 0 ∇/P = 0	THIS DRAWING CONTAINS INFORMATION THAT IS PROPRIETARY TO MOLEX ELECTRONIC TECHNOLOGIES, LLC AND SHOULD NOT BE USED WITHOUT WRITTEN PERMISSION	SCALE 1:1	CURRENT REV DESC: ADDED CABLE TOLERANCE TABLE		
	GENERAL TOLERANCES (UNLESS SPECIFIED)	ANGULAR TOL ± °	4 PLACES ±	3 PLACES ±	2 PLACES ± 0.2
DIVISIONAL SYMBOLS	1 PLACE ± 0.3	0 PLACES ± 0.5	DRAFT WHERE APPLICABLE MUST REMAIN WITHIN DIMENSIONS		
EC NO: 699789		DRWN: MDHARMANTI	2022/03/11	molex	
CHK'D: RSILLER		APPR: RSILLER	2022/03/17	MPIS M8 PNP NPN NOS 4P 4PT BK XM DUAL	
INITIAL REVISION:		PRODUCT CUSTOMER DRAWING		DOCUMENT NUMBER	
DRWN: ULETTENMEIER		2015/01/20	1202470020		DOC TYPE
APPR: RSILLER		2015/04/22	PSD		DOC PART
THIRD ANGLE PROJECTION		DRAWING	SERIES	MATERIAL NUMBER	CUSTOMER
A3-SIZE		120247	SEE TABLE 1	GENERAL MARKET	SHEET NUMBER
1 OF 2					

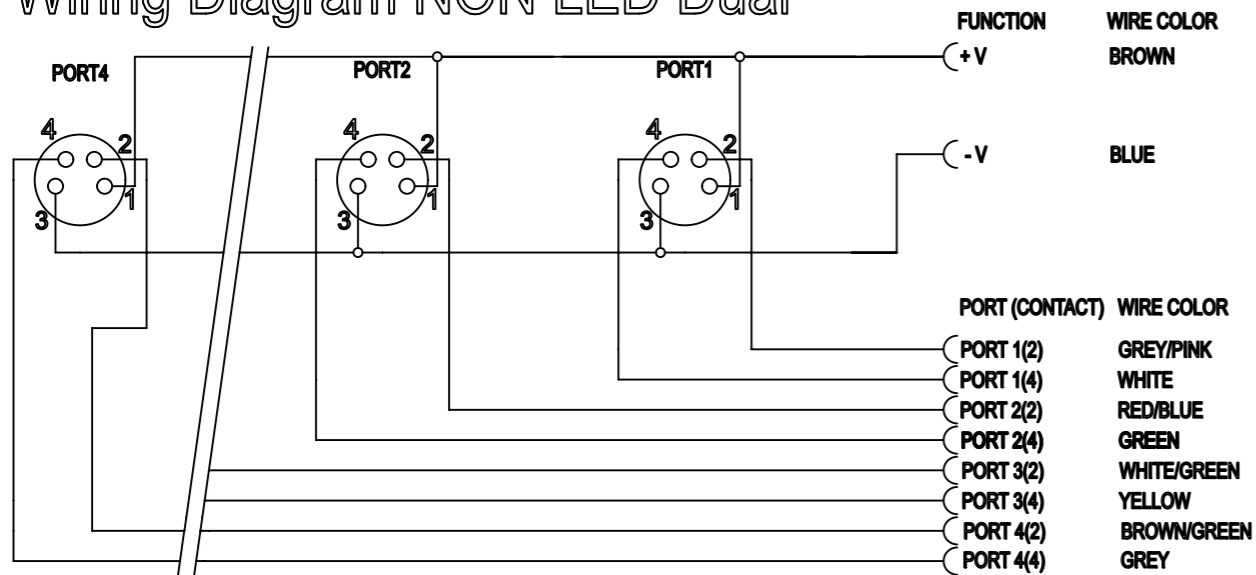
# Wiring Diagram PNP Dual



# Wiring Diagram NPN Dual



# Wiring Diagram NON LED Dual



FUNCTIONAL SYMBOLS	THIS DRAWING CONTAINS INFORMATION THAT IS PROPRIETARY TO MOLEX ELECTRONIC TECHNOLOGIES, LLC AND SHOULD NOT BE USED WITHOUT WRITTEN PERMISSION					
	$\nabla_A = 0$ $\nabla_E = 0$ $\nabla_P = 0$	DIMENSION UNITS: mm SCALE: 1:1 GENERAL TOLERANCES (UNLESS SPECIFIED) ANGULAR TOL: ± ° 4 PLACES ± 3 PLACES ± 2 PLACES ± 0.2 1 PLACE ± 0.3 0 PLACES ± 0.5				CURRENT REV DESC: ADDED CABLE TOLERANCE TABLE EC NO: 699789 DRWN: MDHARMANTI 2022/03/11 CHK'D: RSILLER 2022/03/17 APPR: RSILLER 2022/03/17
DIVISIONAL SYMBOLS	DRAFT WHERE APPLICABLE MUST REMAIN WITHIN DIMENSIONS THIRD ANGLE PROJECTION		DRAWING: A3-SIZE SERIES: 120247	DOCUMENT NUMBER: 1202470020 MATERIAL NUMBER: SEE TABLE 1	DOC TYPE: PSD DOC PART: 000 REVISION: B1	CUSTOMER: GENERAL MARKET SHEET NUMBER: 2 OF 2