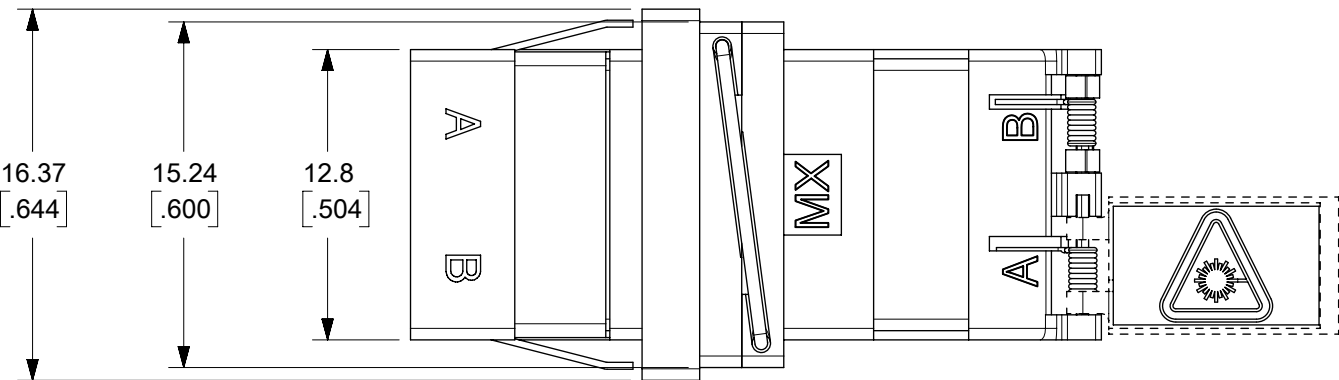
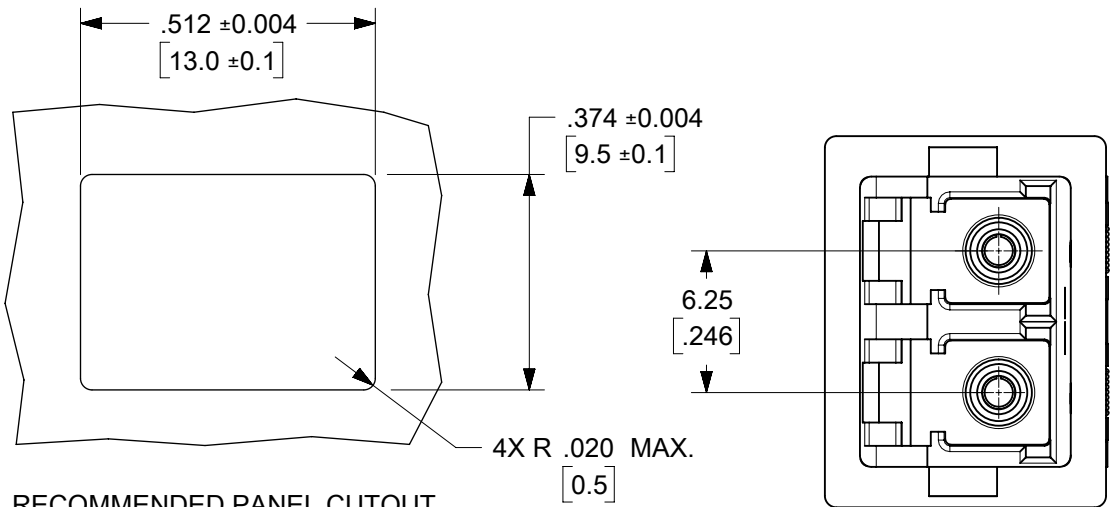
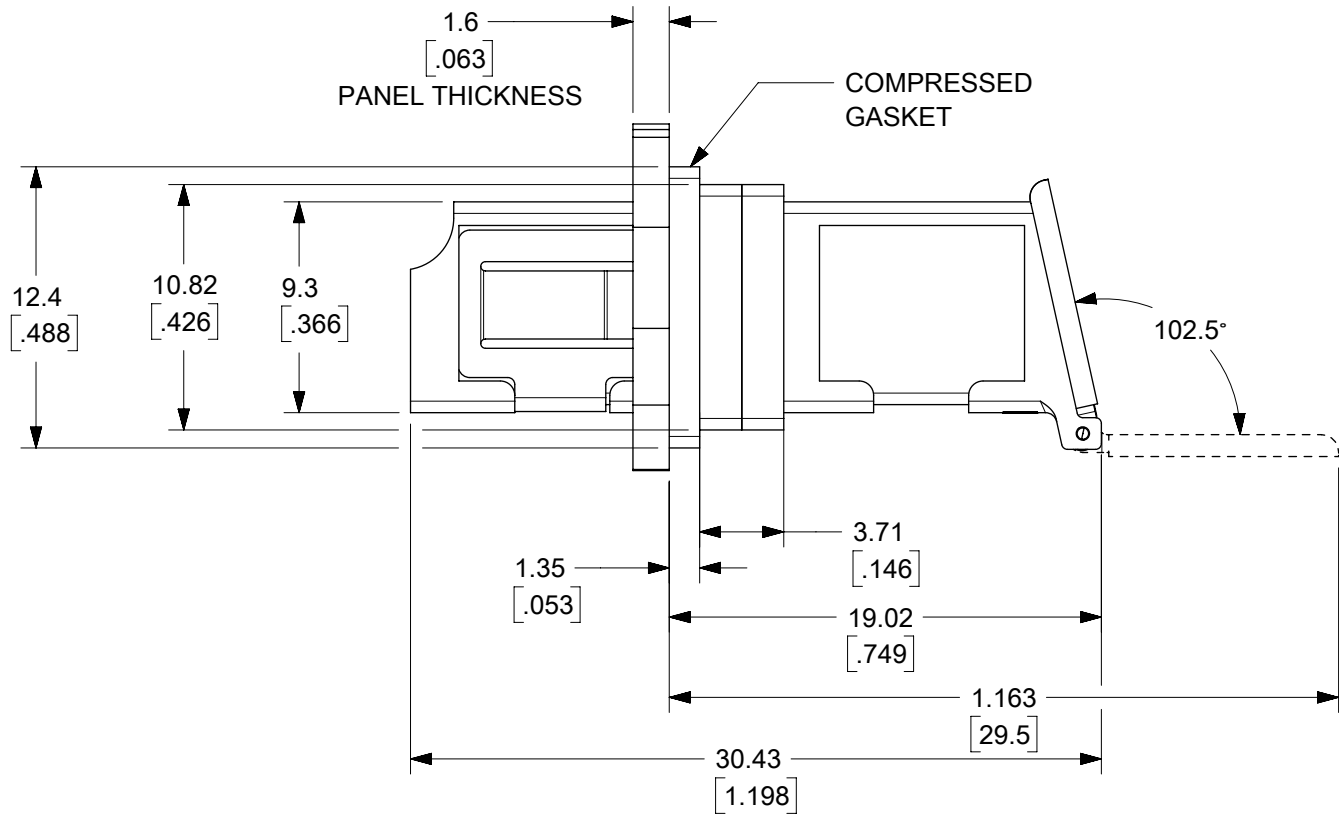
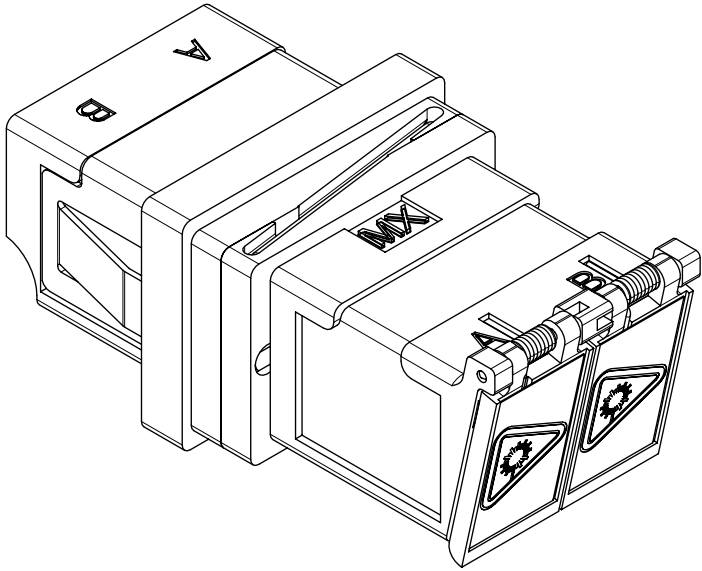


ADAPTER P/N	SPLIT SLEEVE MATERIAL	EMI GASKET MATERIAL
1061152110	Zr	FABRIC OVER FOAM
1061152116	Ph.Bronze	FABRIC OVER FOAM
1061152117	Zr	SOLID



RECOMMENDED PANEL CUTOUT
PANEL THICKNESS- .063in / 1.6mm

- NOTES:
1. ALL DIMENSIONS ARE FOR REFERENCE ONLY
 2. CONDUCTIVE FABRIC OVER FOAM GASKET IS SUPPLIED WITH PART.
 3. PART IS DIECAST.
 4. DUST CAPS NOT SHOWN.
 5. ADAPTERS TO BE PACKED IN TRAY

THIS DRAWING CONTAINS INFORMATION THAT IS PROPRIETARY TO MOLEX ELECTRONIC TECHNOLOGIES, LLC AND SHOULD NOT BE USED WITHOUT WRITTEN PERMISSION										
FUNCTIONAL SYMBOLS	DIMENSION UNITS	SCALE	CURRENT REV DESC:							
$\nabla = 0$	INCH/MM	3:1	EC NO: 703247 DRWN: RHA02 CHKD: WCHEN APPR: WCHEN INITIAL REVISION: DRWN: PGIBLIN APPR: IGUMIN							
$\nabla = 0$	GENERAL TOLERANCES (UNLESS SPECIFIED)									
$\nabla = 0$	ANGULAR TOL ± 0.5°									
DIVISIONAL SYMBOLS	4 PLACES ±	3 PLACES ±	2 PLACES ±	1 PLACE ±	0 PLACES ±	2022/04/06	2022/04/15	2022/04/15	2006/01/09	2006/01/09
DRAFT WHERE APPLICABLE MUST REMAIN WITHIN DIMENSIONS		THIRD ANGLE PROJECTION	DRAWING	SERIES	MATERIAL NUMBER	CUSTOMER	DOCUMENT NUMBER	DOC TYPE	DOC PART	REVISION
			B-SIZE	106115		GENERAL MARKET	SD-106115-211X	PSD	001	C
DOCUMENT STATUS		P1	RELEASE DATE	2022/04/15	20:18:10					