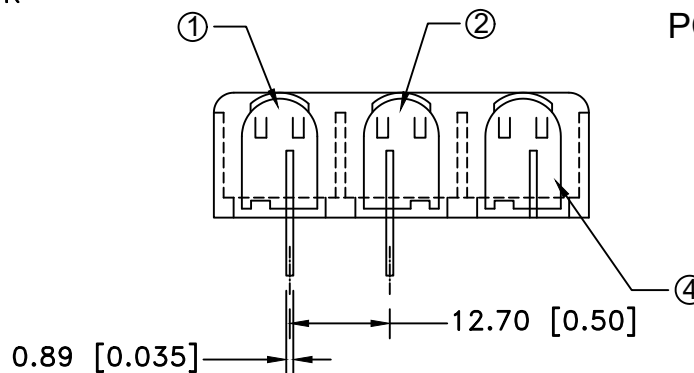
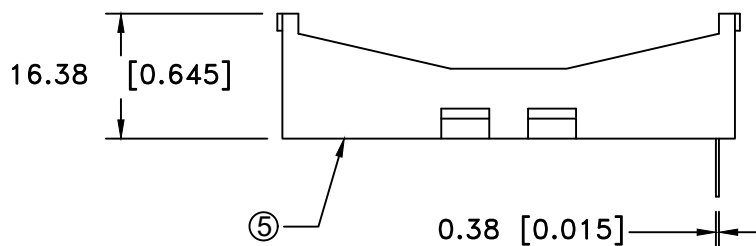
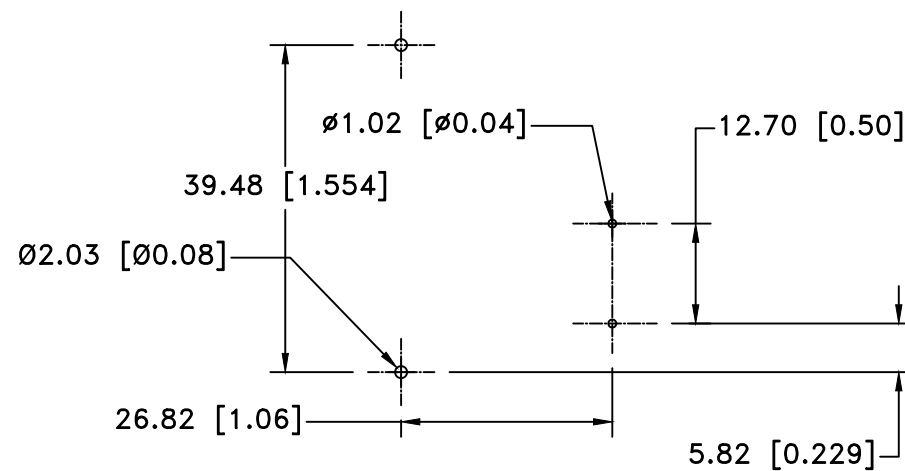
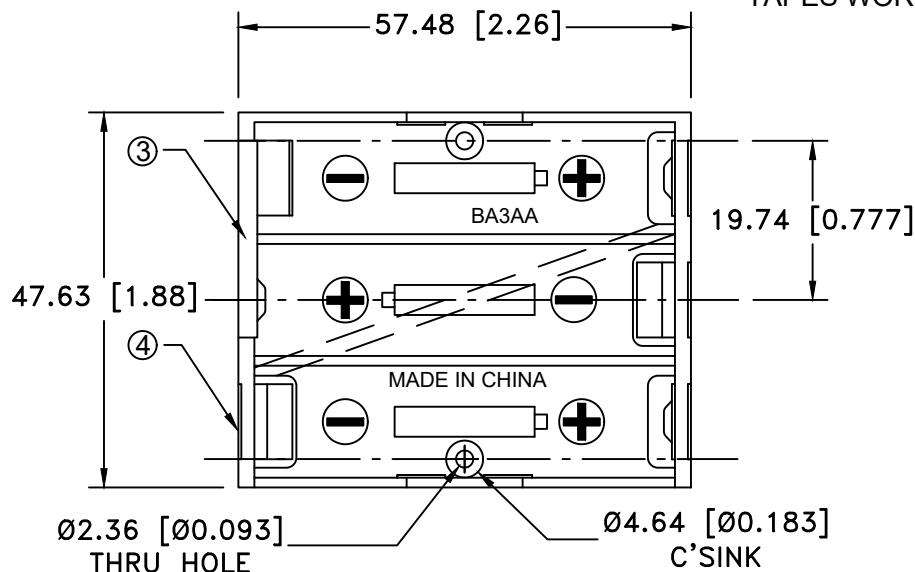


MOUNTING INSTRUCTION:

USE 2-56 MACHINE SCREWS OR EYELETS 0.089" OD BY 0.15" FLANGE STIMPSON GS-3 SERIES OR EQUIVALENT. ALSO ADHESIVES AND DOUBLE SIDED TAPES WORK WELL.


Date	SYM	REVISION RECORD	AUTH	DR.	CK.
10/17/14	A	Updated to ROHS 2 Compliant Added Specification	T.B.	B.S.	
01/29/16	B	Updated Flammability Rating	T.B.	B.S.	
05/11/18	C	Dim. 2.03 was 2.36 Dim. 4.64 was 4.70	T.B.	B.S.	
02/27/19	D	Updated UL File number	T.B.	B.S.	



ROHS COMPLIANT

ITEM NO.	PART NO.	MATL. SPECIFICATION	QTY.
1	ABG-194	POSITIVE CONTACT, 302 STAINLESS STEEL, NICKLE PLTD.	2
2	ABG-195	NEGATIVE CONTACT, 302 STAINLESS STEEL, NICKLE PLTD.	1
3	ABG-196-1	RIGHT NEG./POS. CONTACT, 302 STAINLESS STEEL, NICKLE PLTD.	1
4	ABG-201	ASSY. NEG./POS. CONTACT, 302 STAINLESS STEEL, NICKLE PLTD.	1
5	ABG-198	BLACK POLYPROPYLENE HOLDER, UL94-V0	1

SPECIFICATION:
 1. HOUSING : BLACK POLYPROPYLENE, PP-1040
 FLAMMABILITY RATING -UL94-v-0, UL FILE NO. E107536
 TEMPERATURE RANGE: -10°C to +100°C
 CONTACT RESISTANCE: UNDER 50mΩ FOR +/- CONTACTS PER EIA-540J000

Tolerance (Except as noted)	 Memory Protection Devices, Inc 200 Broad Hollow Road, Farmingdale, New York 11735	
	decimal	Scale
±.5 (.020)		Drawn By B.S.
Fractional	Title	
± .8 (.030)	THREE "AA" CELL SPRINGLESS HOLDER	
Angular	Date	Drawing Number
± 3°	02/27/19	BA3AAPC-UL94V-0