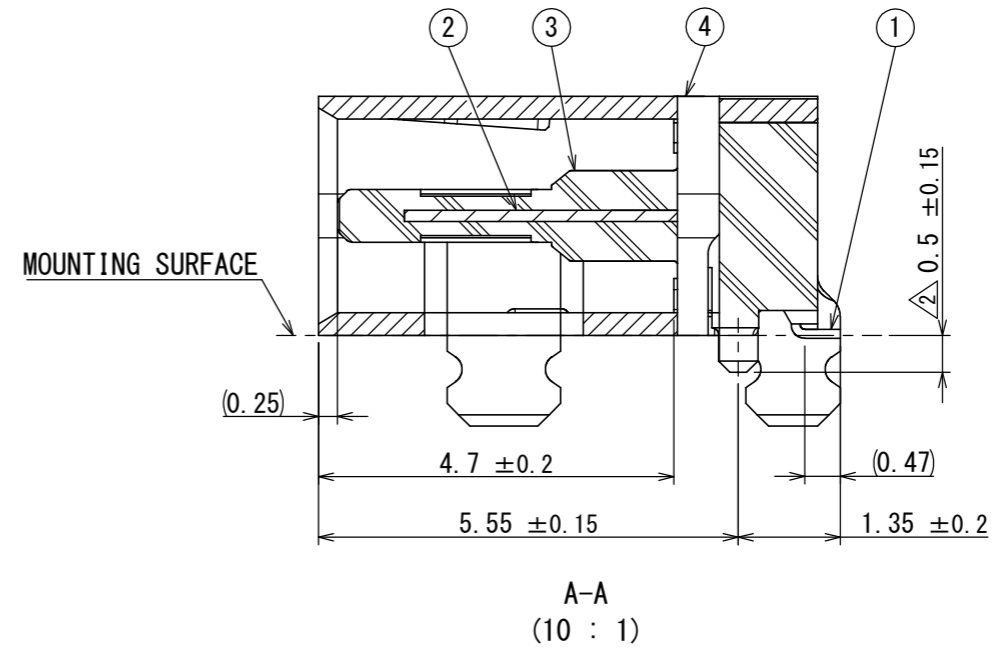
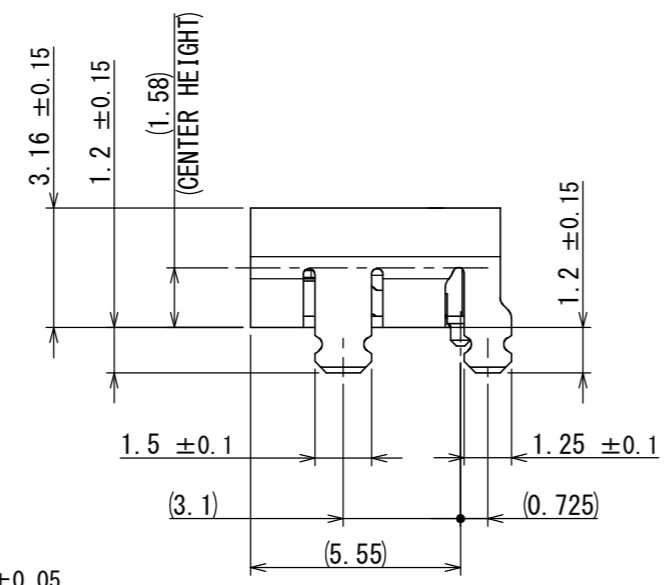
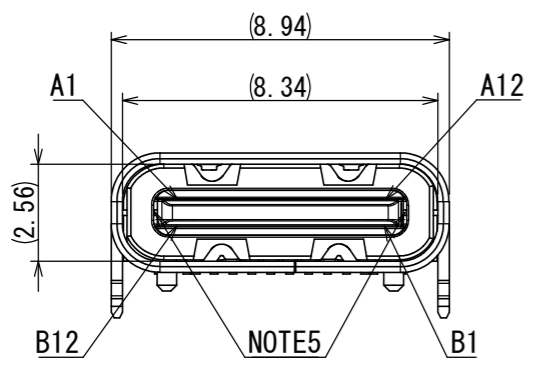
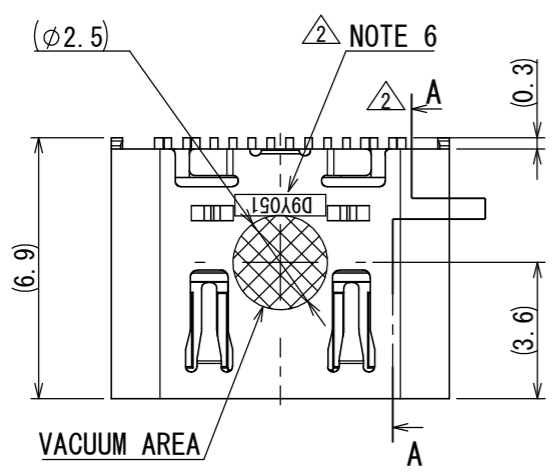


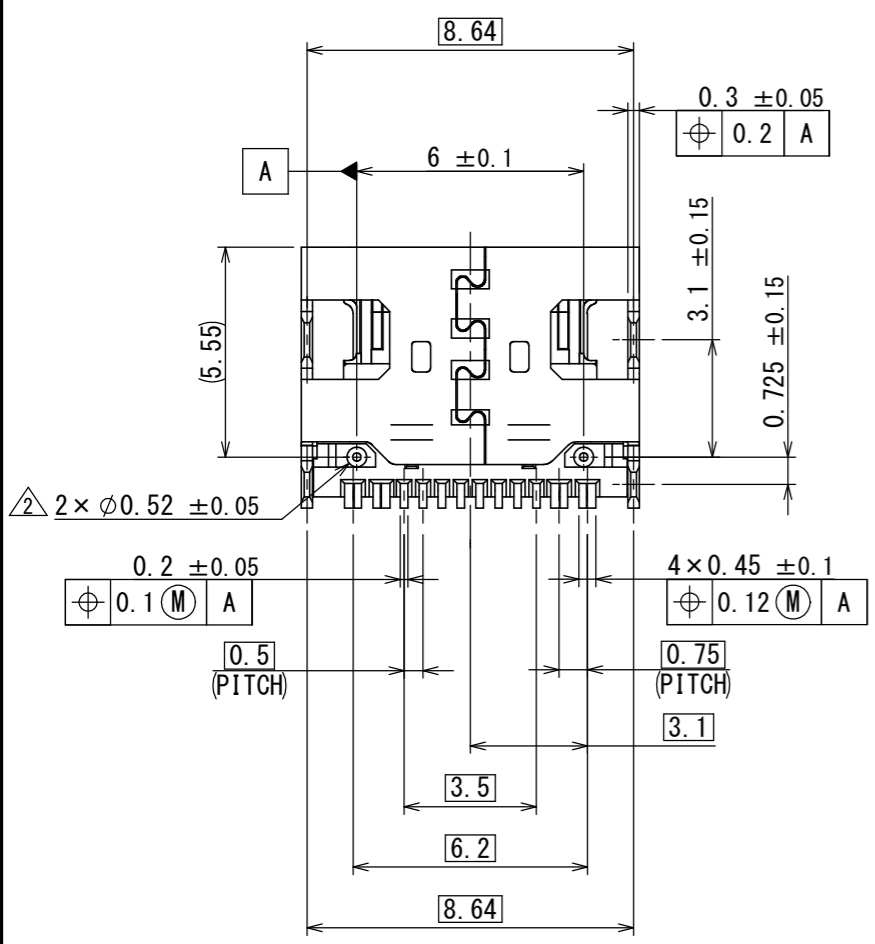
SJ122205  
(DRAWING NO.)

| 版数<br>VER. | 年月日<br>DATE | CN NO. | 変更内容<br>DESCRIPTION  | 製図<br>DR. | 担当<br>CHK. | 査閲<br>APPD. | 承認<br>APPD. |
|------------|-------------|--------|----------------------|-----------|------------|-------------|-------------|
| 2          | 18/DEC/2020 | 037498 | ADDED DIMENSION etc. | —         | K. SAITOU  | —           | I. IGARASHI |



- NOTE 1. THIS PRODUCT IS HALOGEN-FREE PRODUCT.  
 NOTE 2. COPLANARITY OF SMT TERMINAL IS 0.1MAX.  
 NOTE 3. MATING DIMENSIONS CONSIST OF "Universal Serial Bus Type-C Cable and Connector Specification Revision 2.0"  
 NOTE 4. THE SHELL LENGTH IS LESS THAN THE 6.2MM RECOMMENDED IN THE USB STANDARD. THE SYSTEM IMPLEMENTER IS RESPONSIBLE FOR ACHIEVING END PRODUCT RELIABILITY FOR THE MATED CONNECTOR CONDITION. REFER TO "USB TYPE-C CABLE AND CONNECTOR SPECIFICATION REVISION 2.0 SECTION 3.2.1 NOTE 7".  
 NOTE 5. METAL EXPOSED AREA SIZE COULD BE SLIGHTLY CHANGED BASED ON MOLDING CONDITION IN EACH LOT, HOWEVER THIS WOULD NOT AFFECT CONNECTOR FUNCTION.  
 NOTE 6. LOT NUMBER IS MARKED AS INDICATED.

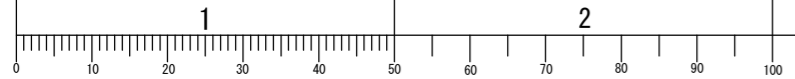
(EX) D 9 Y 05 1  
 PRODUCTION PLACE (END OF ONE DIGIT AT CHRISTIAN ERA)  
 YEAR (JAN. TO SEP. : 1 TO 9, OCT. : 0, NOV. : X, DEC. : Y)  
 MONTH (TWO-DIGITS NUMBER)  
 DAY (NUMBER OR ALPHABET)  
 EQUIPMENT No. (NUMBER OR ALPHABET)



| 符号<br>NO. | 名称<br>DESCRIPTION | 個数<br>QTY. | 材料<br>MATERIAL         | 仕上<br>FINISH   | 備考<br>REMARKS  |
|-----------|-------------------|------------|------------------------|--|--|
| 4         | SHELL             | 1          | STAINLESS STEEL        | NICKEL PLATING   | NICKEL : 0.5 μm MIN.                                       |
| 3         | INSULATOR         | 1          | HEAT RESISTING PLASTIC | —  | COLOR : BLACK  |
| 2         | MID PLATE         | 1          | STAINLESS STEEL        | —  | —  |
| 1         | CONTACT           | 16         | COPPER ALLOY           | CONTACT AREA:<br>GOLD OVER NICKEL<br>SOLDER TAILS:<br>GOLD FLASH OVER NICKEL | CONTACT AREA<br>NICKEL : 1.0 μm MIN.<br>GOLD : 0.1 μm MIN. |

|   |                                    |                   |                                |   |
|---|------------------------------------|-------------------|--------------------------------|---|
| 仕様書 (SPECIFICATION)<br>JACS-30413<br>J AHL-30413                                    | 第1版 (ORIGINAL DATE)<br>05/DEC/2019 | 尺度 (SCALE)<br>5:1 | シリーズ (SERIES)<br>DX07          | 日本航空電子工業株式会社                              |
| 一般公差 (GENERAL TOLERANCE)<br>寸法 (DIMENSION)<br>×° ±<br>×× ±0.4<br>××× ±0.1<br>×××× ± | 角度 (ANGLES)<br>×° ±<br>××° ±       | 製図 DR.<br>—       | 名称 (TITLE)<br>DX07S016JA3      | JAPAN AVIATION ELECTRONICS INDUSTRY, LTD. |
| 単位 (UNIT) : mm  | シートの (SHEET NO.)<br>1 OF 2         | 質量 (MASS)         | 図面番号 (DRAWING NO.)<br>SJ122205 | 版数 (VER.)<br>2                            |

DCF-C-212J (20.07)



WISDOM承認 2020/12/23

SIZE A3

