

### Features

- Carbon element
- Insulated shaft
- Snap-in clip
- Center detent option
- Assorted pin layouts
- RoHS compliant\*

### Applications

- Audio/TV sets
- Car radio
- Amplifiers/mixers/drum machines/synthesizers
- PCs/monitors
- Appliances

## PTV142B - 14 mm Dual Potentiometer

### Electrical Characteristics

Taper .....Linear, audio  
 Standard Resistance Range .....1 K ohms to 1 M ohms  
 Standard Resistance Tolerance ....±20 %  
 Residual Resistance .....500 ohms or 1 % max.

### Environmental Characteristics

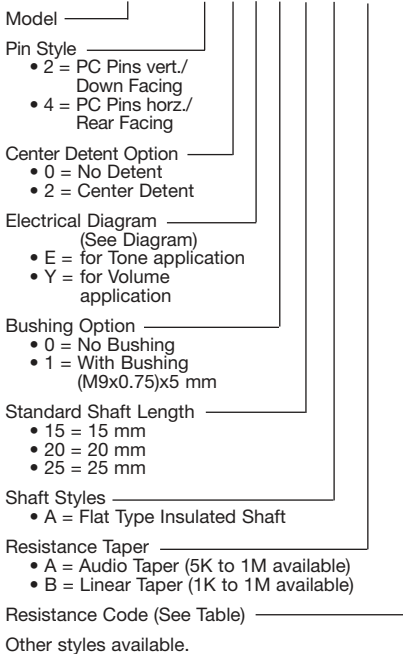
Operating Temp. ....-10 °C to +50 °C  
 Power Rating .....0.05 watt  
 Maximum Operating Voltage .....50 V AC  
 Sliding Noise .....100 mV maximum

### Mechanical Characteristics

Mechanical Angle .....300 ° ±5 °  
 Rotational Torque .....20 to 200 g-cm  
 Detent Torque .....30 to 300 g-cm  
 Stop Strength .....5 kg-cm min.  
 Rotational Life .....15,000 cycles  
 Soldering Condition .....300 °C max. within 3 seconds  
 Hardware .....One flat washer and mounting nut supplied per potentiometer with bushing

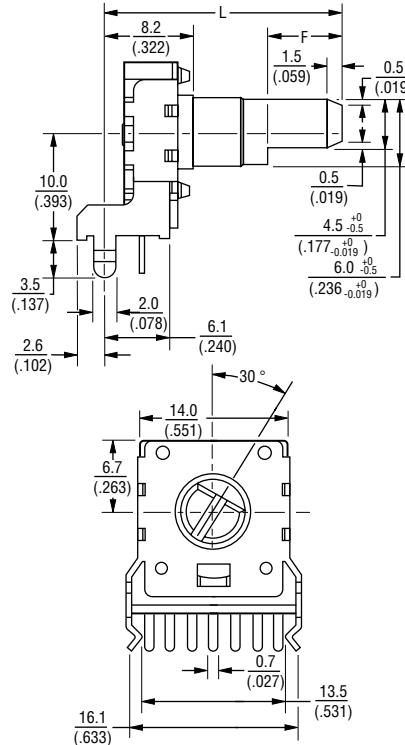
### How To Order

**PTV142B 2 0 E 1 20 A A 203**

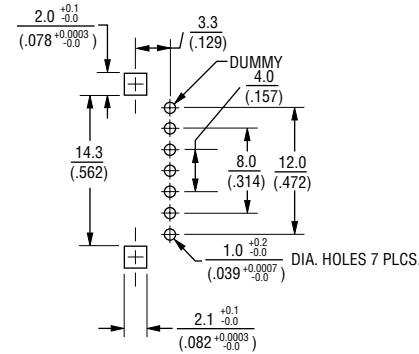


### Product Dimensions

PTV142B-2 No Bushing

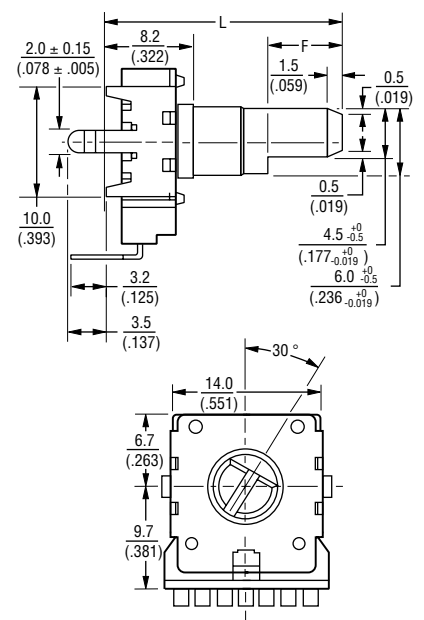


RECOMMENDED PCB LAYOUT

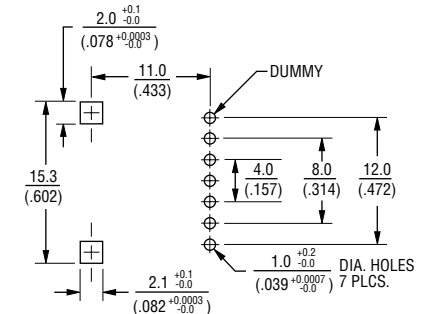


SHAFT SHOWN IN CCW POSITION

PTV142B-4 No Bushing



RECOMMENDED PCB LAYOUT



SHAFT SHOWN IN CCW POSITION

DIMENSIONS ARE:  $\frac{\text{MM}}{\text{(INCHES)}}$

### Dimensions Without Bushing

L	15	20	25
	(.590)	(.787)	(.984)
F	4.5	7	12
	(.177)	(.275)	(.472)

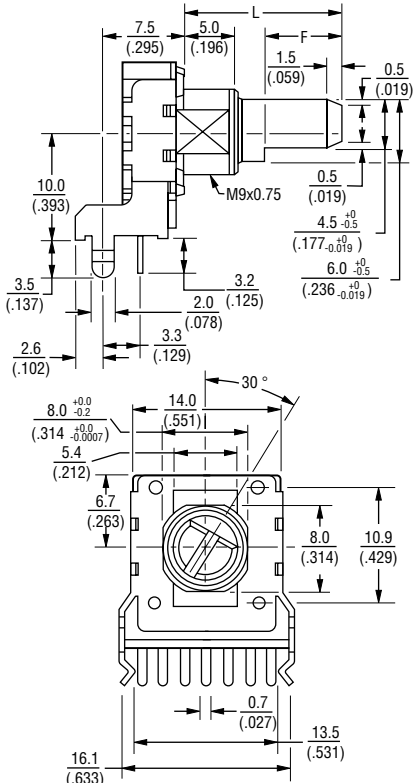
\*RoHS Directive 2002/95/EC Jan 27 2003 including Annex. Specifications are subject to change without notice. Customers should verify actual device performance in their specific applications.

# PTV142B - 14 mm Dual Potentiometer

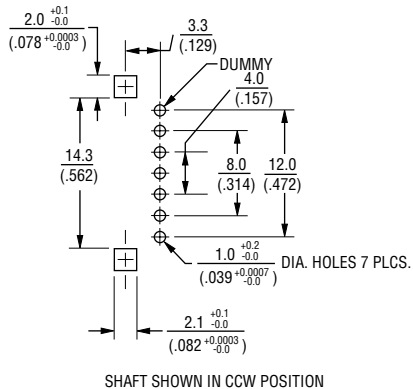
**BOURNS®**

## Product Dimensions

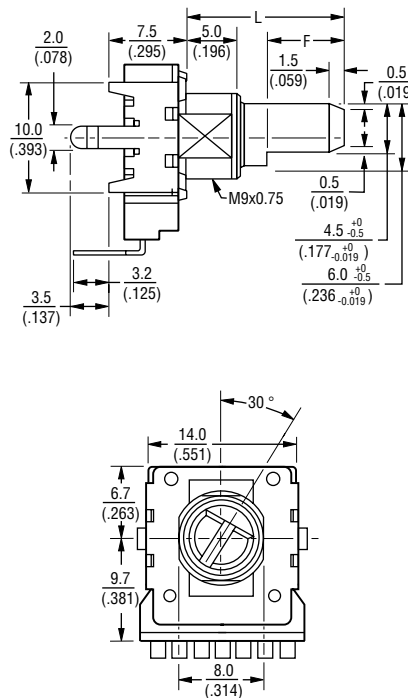
**PTV142B-2 With Bushing**



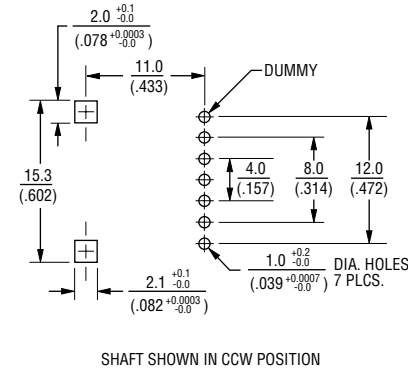
**RECOMMENDED PCB LAYOUT**



**PTV142B-4 With Bushing**



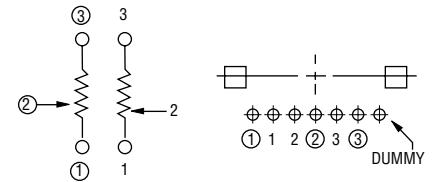
**RECOMMENDED PCB LAYOUT**



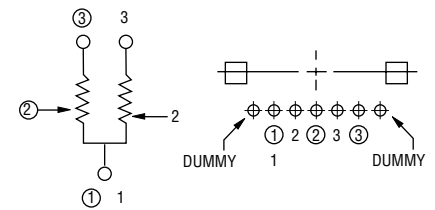
DIMENSIONS ARE:  $\frac{\text{MM}}{\text{(INCHES)}}$

## Electrical Diagrams

**'E' FOR TONE APPLICATION**



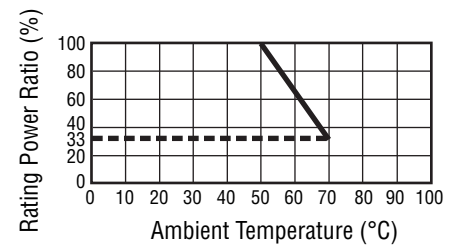
**'Y' FOR VOLUME APPLICATION**



## Standard Resistance Table

Resistance (Ohms)	Resistance Code
1,000	102
2,000	202
5,000	502
10,000	103
20,000	203
50,000	503
100,000	104
200,000	204
500,000	504
1,000,000	105

## Derating Curve



## Dimensions With Bushing

L	15	20	25
	(.590)	(.787)	(.984)
F	7	12	12
	(.275)	(.472)	(.472)

REV. 05/09

Specifications are subject to change without notice. Customers should verify actual device performance in their specific applications.