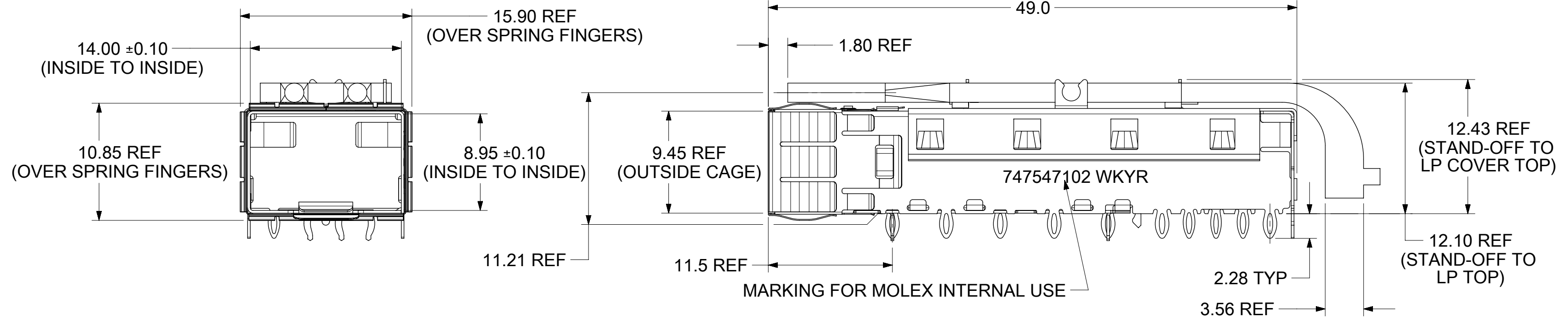


P/N AND WEEK /YEAR DATE CODE TO BE PRINTED OR LASERED ON SIDE OF COMPLETED CAGE ASSEMBLY APPROXIMATELY AS SHOWN. SEE TABLE BELOW FOR DATE CODE INFORMATION

WEEK/YEAR DATE CODE TABLE	
WK	01 THRU 52 OR 53 EXAMPLE: 01 = FIRST WEEK OF YEAR 52 = LAST WEEK OF YEAR
YR	LAST TWO DIGITS OF THE YEAR, 23, 24, 25 ETC. EXAMPLE: YEAR 2023 = 23



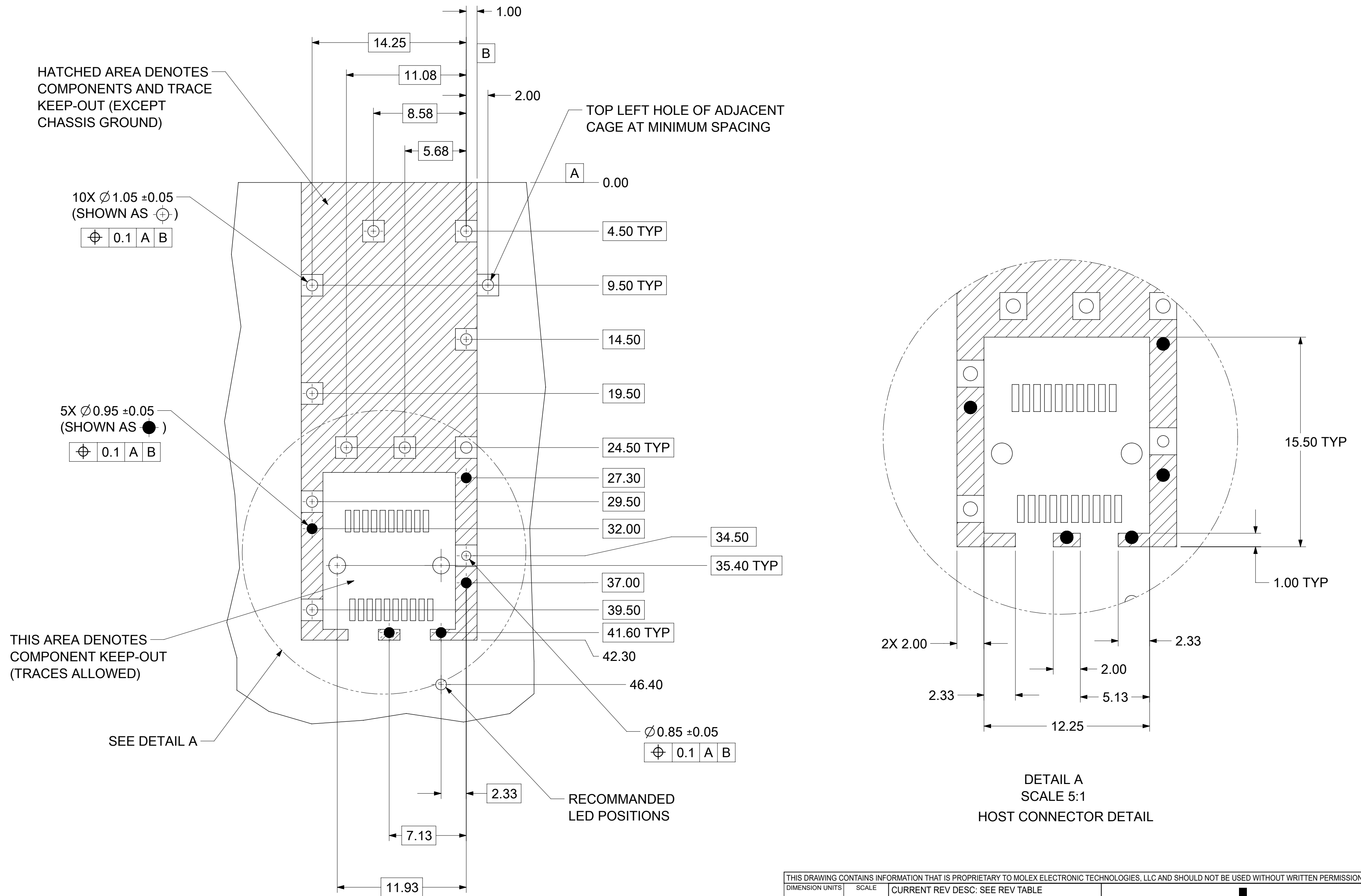
NOTES:

- MATERIAL:**
 CAGE: 0.25mm THICK COPPER ALLOY, NICKEL PLATED
 SPRING FINGER: STAINLESS STEEL.
 CLIP: COPPER ALLOY
 LIGHT PIPE : POLYCARBONATE (94-V0 RATED)
- PRESS FIT LEGS 2.28mm LONG:**
 1.57 MINIMUM PCB THICKNESS FOR SINGLE SIDED USE
 3.00 MINIMUM PCB THICKNESS FOR BELLY TO BELLY USE
- PORTS ARE DESIGNED FOR SFP+ TRANSCEIVERS AND ARE COMPATIBLE WITH SFP TRANSCEIVERS**
- NO RoHS EXEMPTIONS.**

THIS DRAWING CONTAINS INFORMATION THAT IS PROPRIETARY TO MOLEX ELECTRONIC TECHNOLOGIES, LLC AND SHOULD NOT BE USED WITHOUT WRITTEN PERMISSION

DIMENSION UNITS	SCALE	CURRENT REV DESC: SEE REV TABLE		molex		
mm	3:1					
GENERAL TOLERANCES (UNLESS SPECIFIED)		EC NO: 744017		SFP+ 1X1 CAGE ASSY, SUS SPRING FINGER TYPE WITH SINGLE LIGHT PIPE		
ANGULAR TOL	± 1.0°	DRWN: PKH	2022/09/13	PRODUCT CUSTOMER DRAWING		
4 PLACES	±	CHK'D: AMRUTH	2023/03/27	DOCUMENT NUMBER		
3 PLACES	±	APPR: TKUMARKC	2023/03/30	747548962		
2 PLACES	± 0.15	INITIAL REVISION:		DOC TYPE	DOC PART	REVISION
1 PLACE	± 0.25	DRWN: PKH	2022/04/07	PSD	ASY	A1
0 PLACES	±	APPR: SCHIEN	2022/05/26	SHEET NUMBER		
DRAFT WHERE APPLICABLE MUST REMAIN WITHIN DIMENSIONS		THIRD ANGLE PROJECTION	DRAWING	SERIES	MATERIAL NUMBER	CUSTOMER
			C-SIZE	74754	747548962	

PCB LAYOUT FOR SINGLE SIDE MOUNT

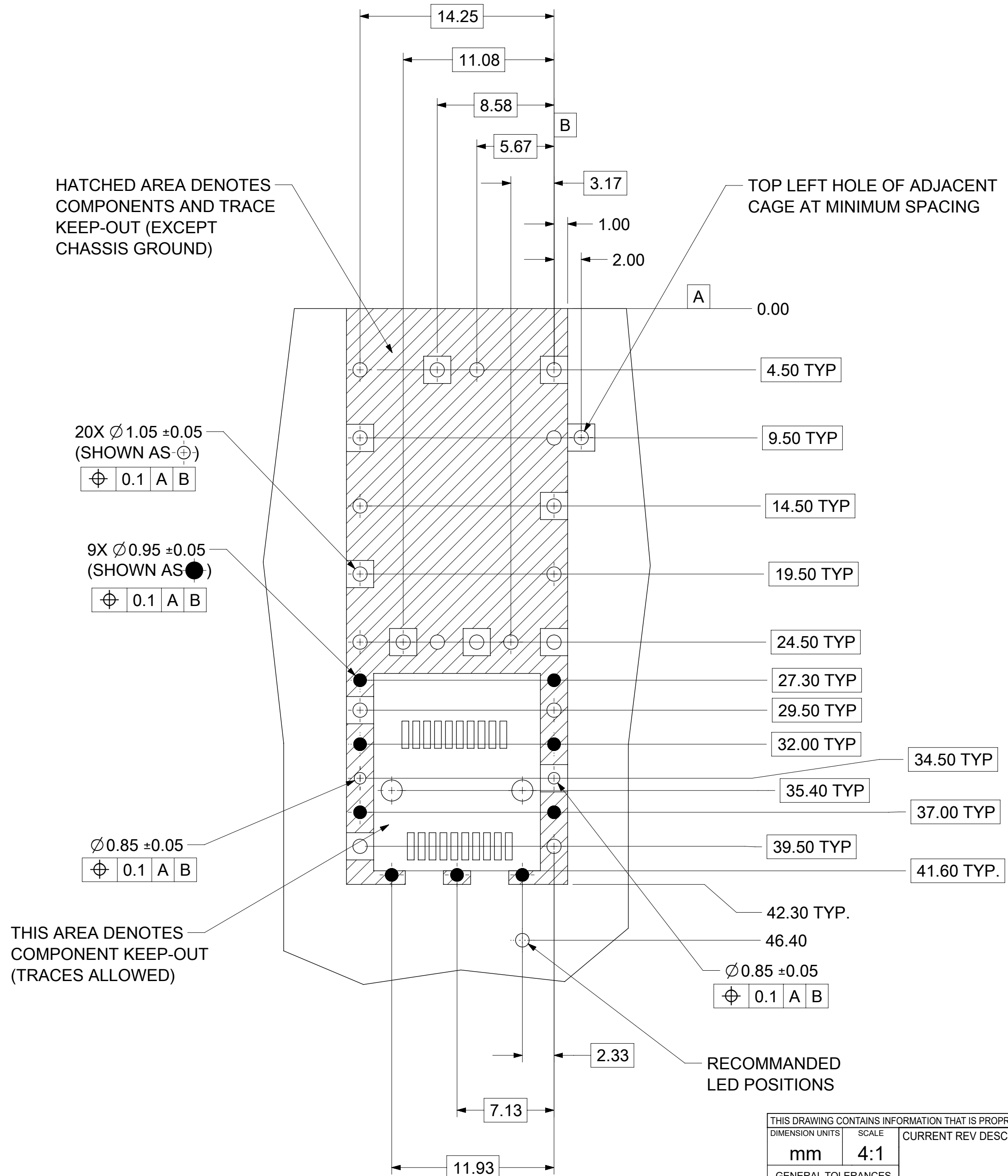


- NOTES:
1. PADS AND VIAS CONNECT TO CHASSIS GROUND (RECOMMEND PADS TO BE 2.00mm SQUARE)
 2. RECOMMEND THRU HOLE PLATING INCLUDES HASL, OSP, OR IMMERSION (GOLD, SILVER, OR TIN)
 3. CONNECTOR PAD LAYOUT PER SFP+ MSA WILL ACCOMMODATE MOLEX CONNECTOR SERIES 74441 OR EQUIVALENT

THIS DRAWING CONTAINS INFORMATION THAT IS PROPRIETARY TO MOLEX ELECTRONIC TECHNOLOGIES, LLC AND SHOULD NOT BE USED WITHOUT WRITTEN PERMISSION									
DIMENSION UNITS		SCALE		CURRENT REV DESC: SEE REV TABLE					
mm		4:1		<p>molex</p> <p>SFP+ 1X1 CAGE ASSY, SUS SPRING FINGER TYPE WITH SINGLE LIGHT PIPE</p> <p>PRODUCT CUSTOMER DRAWING</p> <p>DOCUMENT NUMBER: 747548962 DOC TYPE: PSD DOC PART: ASY REVISION: A1</p> <p>MATERIAL NUMBER: 747548962 CUSTOMER: SHEET NUMBER: 2 OF 5</p>					
GENERAL TOLERANCES (UNLESS SPECIFIED)									
ANGULAR TOL ± 1.0°									
4 PLACES ±		EC NO: 744017							
3 PLACES ±		DRWN: PKH 2022/09/13							
2 PLACES ± 0.15		CHK'D: AMRUTH 2023/03/27							
1 PLACE ± 0.25		APPR: TKUMARKC 2023/03/30							
0 PLACES ±		INITIAL REVISION:							
DRAFT WHERE APPLICABLE MUST REMAIN WITHIN DIMENSIONS		DRWN: PKH 2022/04/07		APPR: SCHIEN 2022/05/26					
THIRD ANGLE PROJECTION		DRAWING		SERIES					
C-SIZE		74754							

DOCUMENT STATUS	P1	RELEASE DATE	2023/03/30	11:27:31
-----------------	----	--------------	------------	----------

PCB LAYOUT FOR BELLY TO BELLY MOUNTING



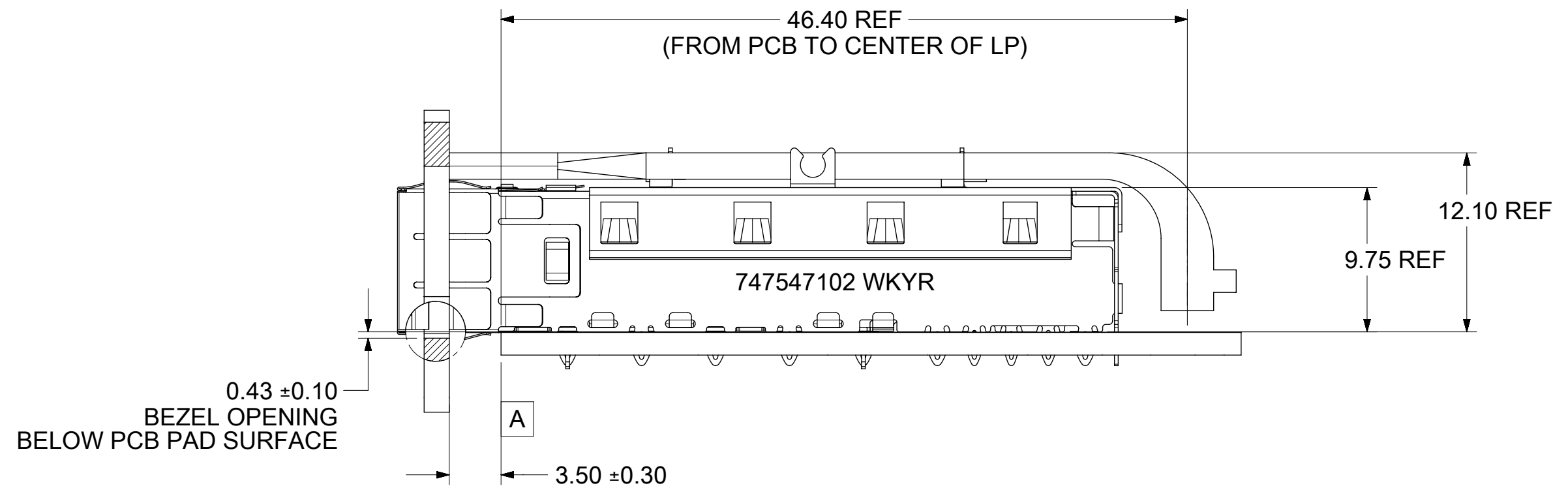
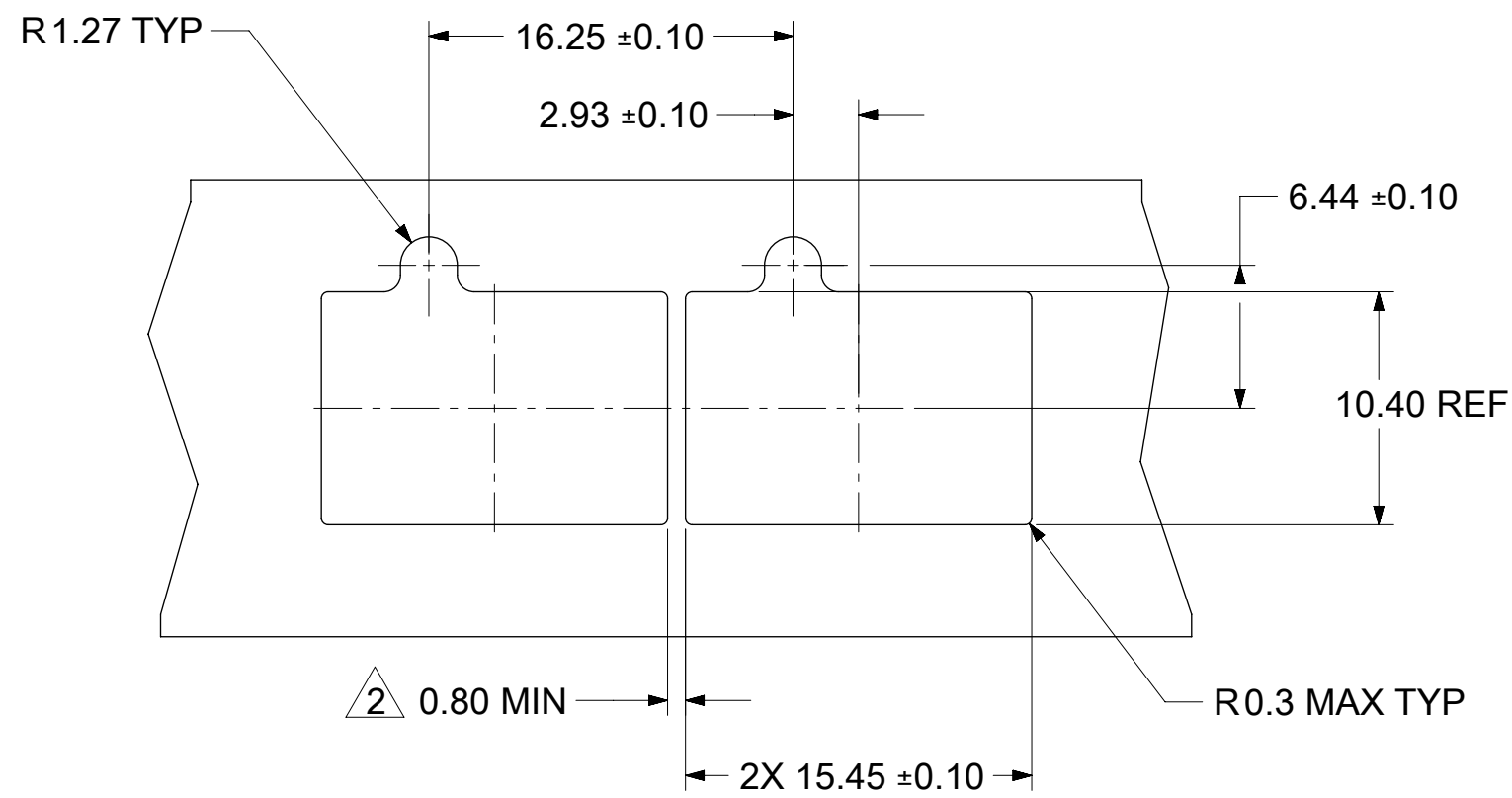
NOTE:
SEE SHEET 2 FOR
HOST CONNECTOR DETAIL

NOTES:

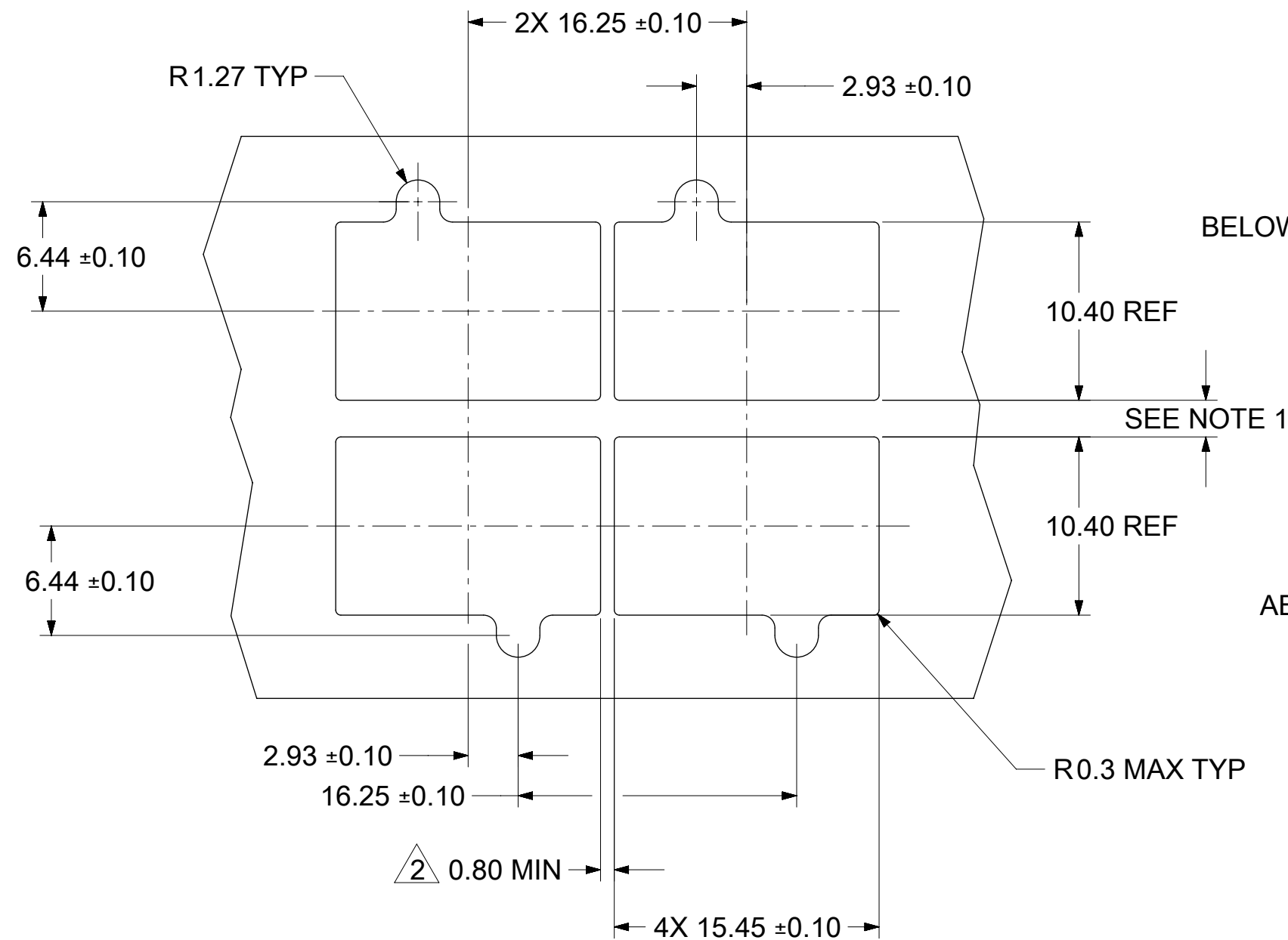
1. PADS AND VIAS CONNECT TO CHASSIS GROUND (RECOMMEND PADS TO BE 2.00mm SQUARE)
2. RECOMMENDED THRU HOLE PLATING INCLUDES HASL, OSP, OR IMMERSION (GOLD, SILVER, OR TIN).
3. CONNECTOR PAD LAYOUT PER SFP+ MSA WILL ACCOMMODATE MOLEX CONNECTOR SERIES 74441 OR EQUIVALENT.

THIS DRAWING CONTAINS INFORMATION THAT IS PROPRIETARY TO MOLEX ELECTRONIC TECHNOLOGIES, LLC AND SHOULD NOT BE USED WITHOUT WRITTEN PERMISSION											
DIMENSION UNITS		SCALE		CURRENT REV DESC: SEE REV TABLE				molex		SFP+ 1X1 CAGE ASSY, SUS SPRING FINGER TYPE WITH SINGLE LIGHT PIPE	
mm		4:1									
GENERAL TOLERANCES (UNLESS SPECIFIED)				EC NO: 744017				2022/09/13			
ANGULAR TOL ± 1.0°				DRWN: PKH				2023/03/27			
4 PLACES ±				CHK'D: AMRUTH				2023/03/30			
3 PLACES ±				APPR: TKUMARKC				PRODUCT CUSTOMER DRAWING			
2 PLACES ± 0.15				INITIAL REVISION:				DOCUMENT NUMBER		DOC TYPE DOC PART REVISION	
1 PLACE ± 0.25				DRWN: PKH				747548962		PSD ASY A1	
0 PLACES ±				APPR: SCHIEN				MATERIAL NUMBER		CUSTOMER	
DRAFT WHERE APPLICABLE MUST REMAIN WITHIN DIMENSIONS				THIRD ANGLE PROJECTION		DRAWING		SERIES		SHEET NUMBER	
				C-SIZE		74754		747548962		3 OF 5	

BEZEL AND BOARD POSITION DIMENSIONS FOR SINGLE SIDE MOUNTING (CAGE WITH SPRING FINGER)



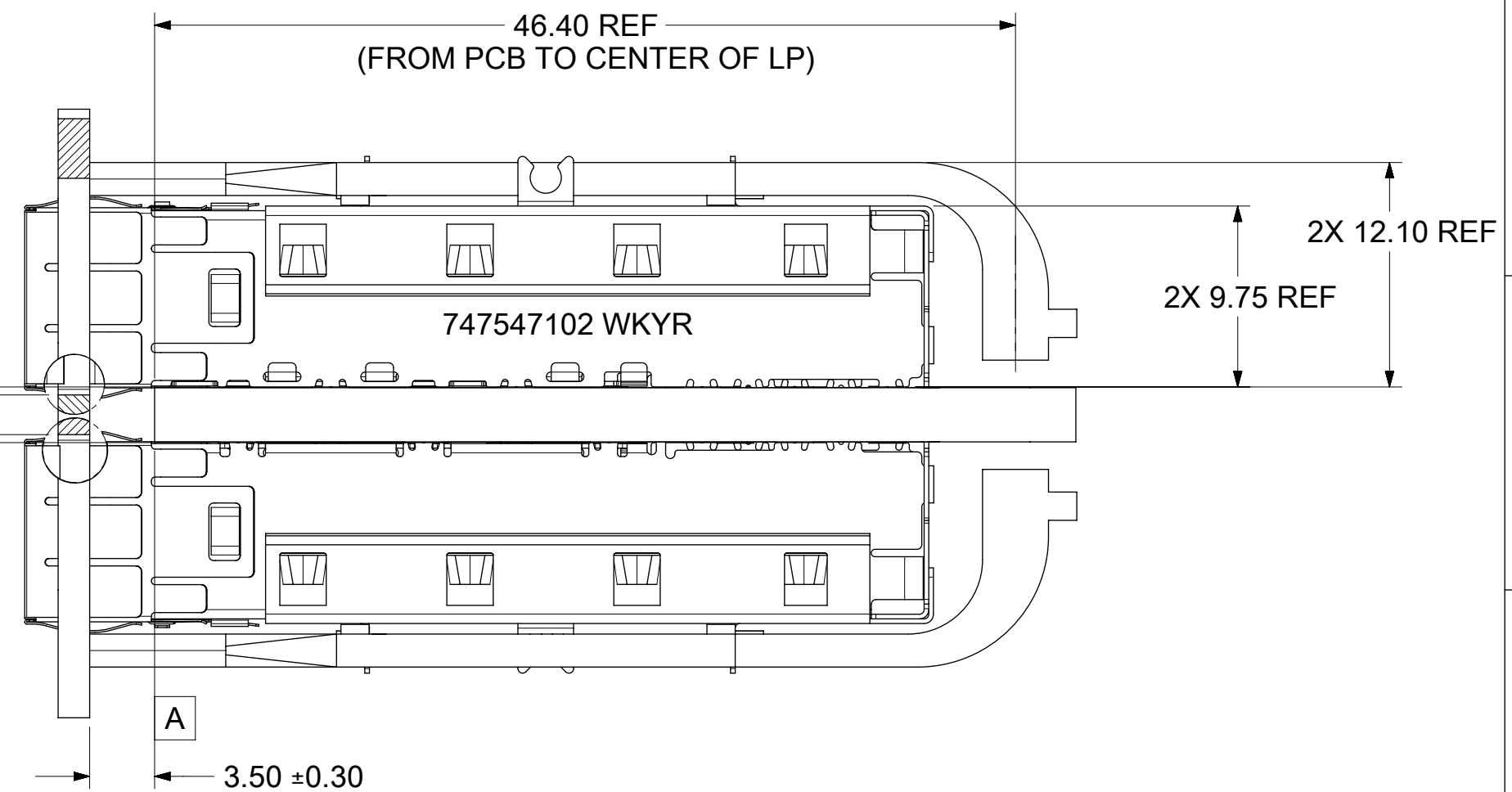
BEZEL AND BOARD POSITION DIMENSIONS FOR BELLY TO BELLY MOUNTING (CAGE WITH SPRING FINGER)



0.43 ±0.10
BEZEL OPENING
BELOW PCB PAD SURFACE

SEE NOTE 1

0.43 ±0.10
BEZEL OPENING
ABOVE PCB PAD SURFACE



- NOTES:
- PCB THICKNESS VARIATION MUST BE CONSIDERED WHEN DETERMINING BEZEL OPENING SIZE AND LOCATION
 - THIS DIMENSION IS FOR REFERENCE ONLY. USER CAN MODIFY IT DEPENDS ON APPLICATION.
(THIS DIMENSION VARIES BASED ON DISTANCE OF "HOLE OF ADJACENT CAGE" ON PCB LAYOUT)

THIS DRAWING CONTAINS INFORMATION THAT IS PROPRIETARY TO MOLEX ELECTRONIC TECHNOLOGIES, LLC AND SHOULD NOT BE USED WITHOUT WRITTEN PERMISSION

DIMENSION UNITS	SCALE	CURRENT REV DESC: SEE REV TABLE		molex			
mm	3:1						
GENERAL TOLERANCES (UNLESS SPECIFIED)				SFP+ 1X1 CAGE ASSY, SUS SPRING FINGER TYPE WITH SINGLE LIGHT PIPE			
ANGULAR TOL	± 1.0°	EC NO: 744017		PRODUCT CUSTOMER DRAWING			
4 PLACES	±	DRWN: PKH 2022/09/13		DOCUMENT NUMBER			
3 PLACES	±	CHK'D: AMRUTH 2023/03/27		747548962			
2 PLACES	± 0.15	APPR: TKUMARKC 2023/03/30		DOC TYPE DOC PART REVISION			
1 PLACE	± 0.25	INITIAL REVISION:		PSD ASY A1			
0 PLACES	±	DRWN: PKH 2022/04/07		MATERIAL NUMBER			
		APPR: SCHIEN 2022/05/26		CUSTOMER			
DRAFT WHERE APPLICABLE MUST REMAIN WITHIN DIMENSIONS		THIRD ANGLE PROJECTION	DRAWING	SERIES	SHEET NUMBER		
			C-SIZE	74754	747548962		4 OF 5

DOCUMENT STATUS	P1	RELEASE DATE	2023/03/30	11:27:31
-----------------	----	--------------	------------	----------

REV	DATE	DESCRIPTION
A	2022/05/19	INITIAL RELEASE
A1	2023/03/27	SHEET 01 : E12 : DATE CODE DETAILS UPDATED.

THIS DRAWING CONTAINS INFORMATION THAT IS PROPRIETARY TO MOLEX ELECTRONIC TECHNOLOGIES, LLC AND SHOULD NOT BE USED WITHOUT WRITTEN PERMISSION

DIMENSION UNITS	SCALE	CURRENT REV DESC: SEE REV TABLE		molex					
mm	1:1								
GENERAL TOLERANCES (UNLESS SPECIFIED)		EC NO: 744017 DRWN: PKH 2022/09/13 CHK'D: AMRUTH 2023/03/27 APPR: TKUMARKC 2023/03/30		SFP+ 1X1 CAGE ASSY, SUS SPRING FINGER TYPE WITH SINGLE LIGHT PIPE					
ANGULAR TOL	± 1.0°			PRODUCT CUSTOMER DRAWING					
4 PLACES	±			INITIAL REVISION:		DOCUMENT NUMBER	DOC TYPE	DOC PART	REVISION
3 PLACES	±			DRWN: PKH 2022/04/07		747548962	PSD	ASY	A1
2 PLACES	± 0.15			APPR: SCHIEN 2022/05/26					
1 PLACE	± 0.25	DRAFT WHERE APPLICABLE MUST REMAIN WITHIN DIMENSIONS		MATERIAL NUMBER	CUSTOMER	SHEET NUMBER			
0 PLACES	±	THIRD ANGLE PROJECTION		747548962		5 OF 5			
				DRAWING	SERIES				
				C-SIZE	74754				

DOCUMENT STATUS	P1	RELEASE DATE	2023/03/30 11:27:31
-----------------	----	--------------	---------------------