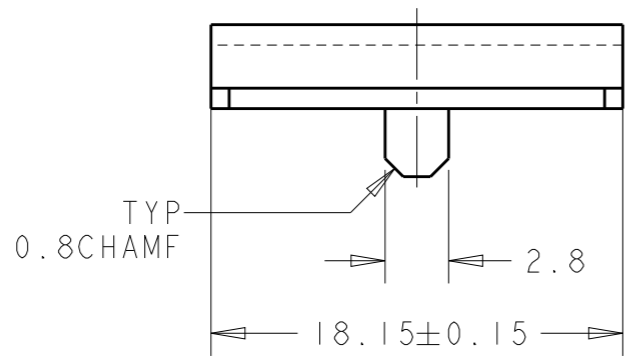
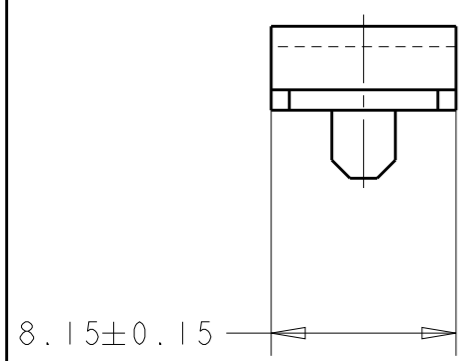
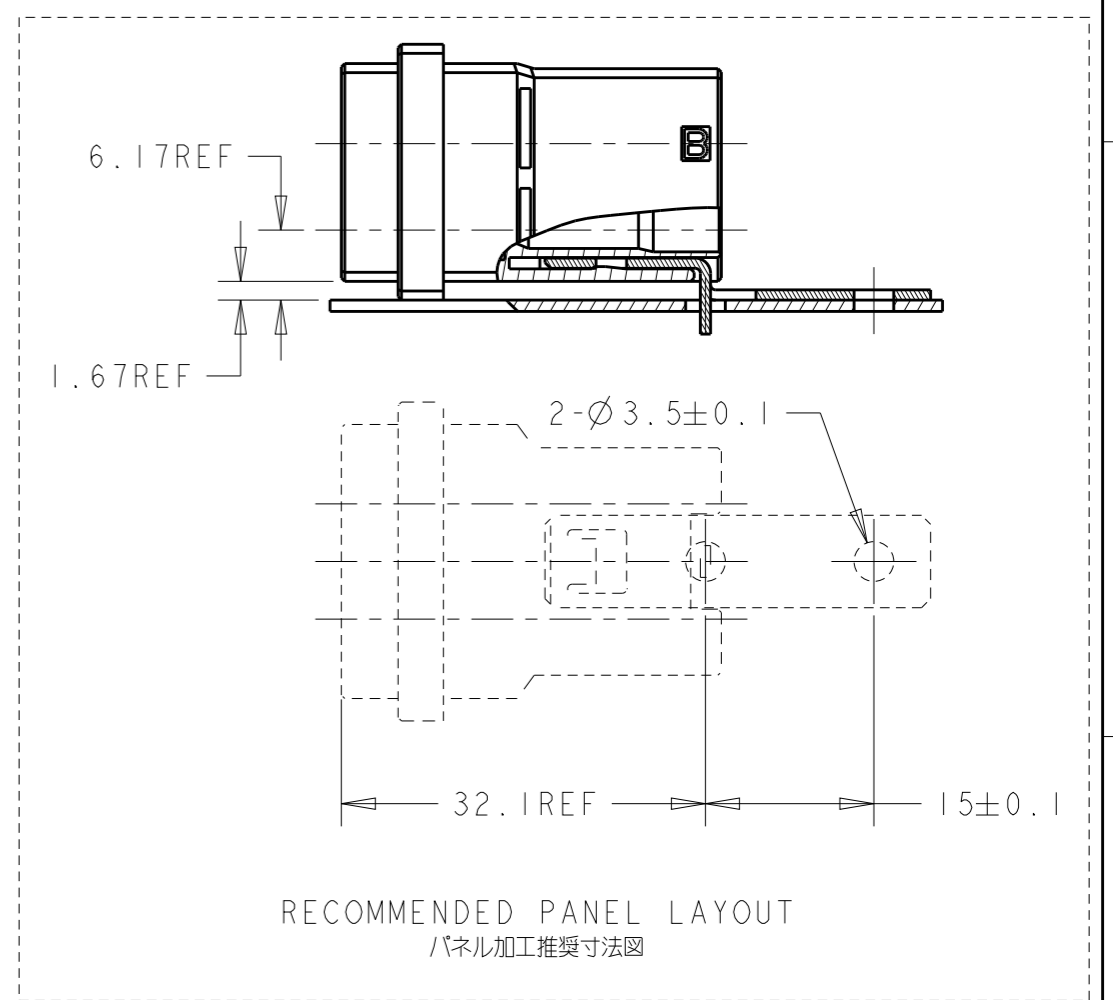
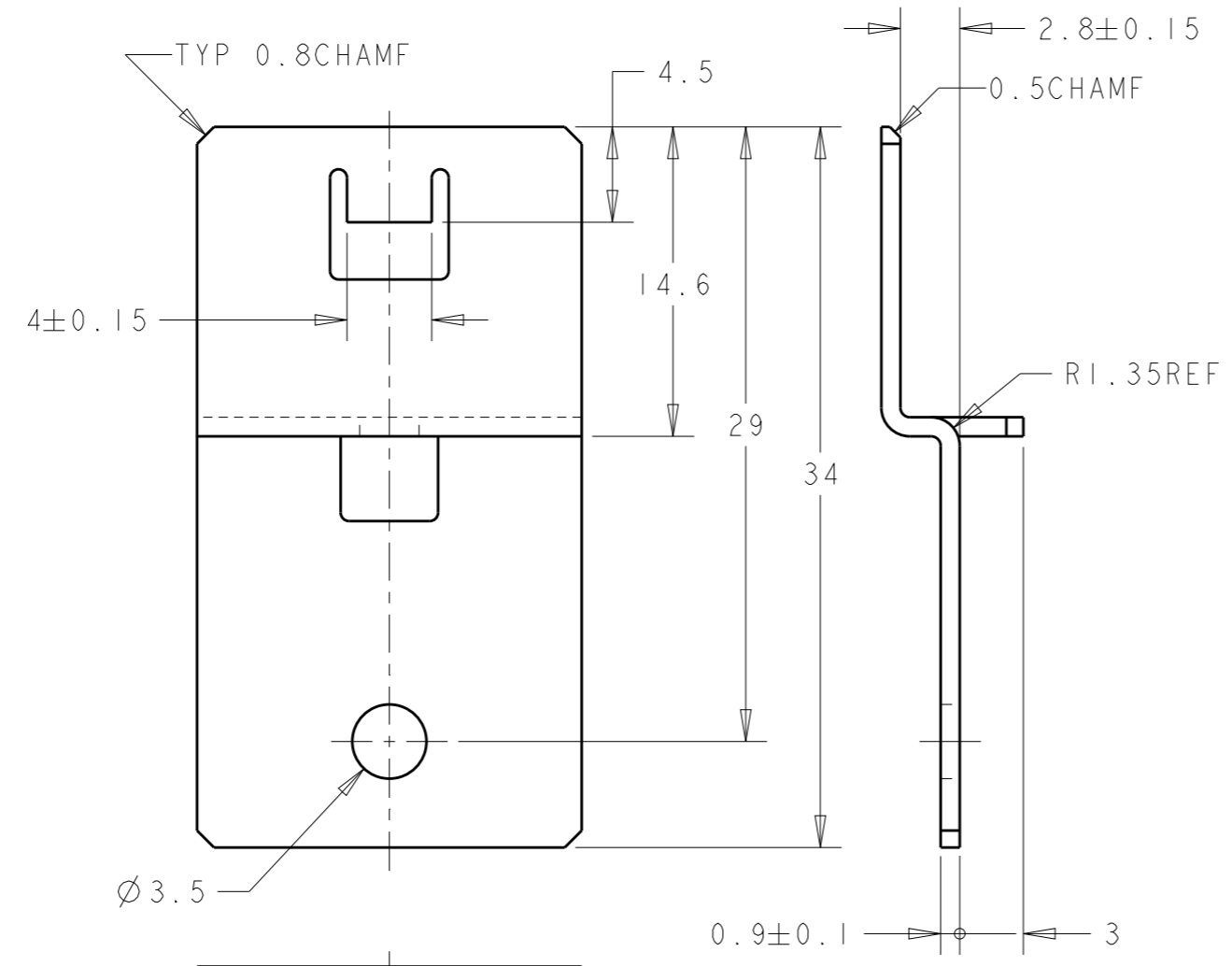
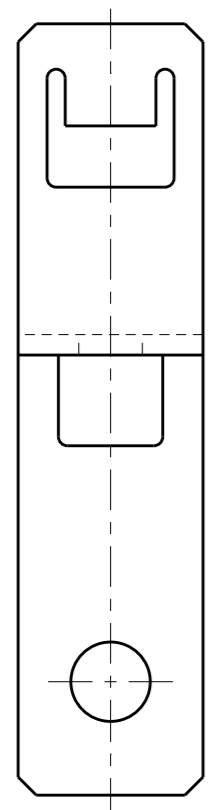


THIS DRAWING IS UNPUBLISHED. RELEASED FOR PUBLICATION 20
 © COPYRIGHT 20 BY - ALL RIGHTS RESERVED.

| REVISIONS | | | | | |
|-----------|-----|-------------|---------------|-----------|---------|
| P | LTR | DESCRIPTION | ECN | DATE | APVD |
| | B | REVISED | ECR-15-007169 | 30OCT2015 | K.K E.T |



~~900121-2~~
 (A1) 5900121-2
 SMALL

900121-4
 (A1) 5900121-4
 LARGE

| LARGE | ③ | ① STEEL | t=0.9 | 5900121-4 | (A1) |
|------------------|--------------|--------------------|------------------|---------------------|------|
| SMALL | ③ | ① STEEL | t=0.9 | 5900121-2 | (A1) |
| LARGE | ② | ① STEEL | t=0.9 | 900121-4 | |
| SMALL | ② | ① STEEL | t=0.9 | 900121-2 | |
| NAME | FINISH | MATERIAL | PART NO. | | |

OBSOLETE

- ① MATERIAL : CARBON STEEL, THICKNESS=0.9±0.1mm
- ② FINISH : CHROMATE (Zn PLATE)
- (A1) ③ FINISH : AFTER Cu GROUND PLATING 2.5μmMIN OF ALL ASPECTS, Ni PLATE 2.5μmMIN
- ① 材料 : スチール 板厚=0.9±0.1mm
- ② 仕上 : クロメート(亜鉛めっき)処理
- (A1) ③ 仕上 : 全面銅下地めっき2.5μm以上の上に, Niめっき2.5μm以上を施す

THIS DRAWING IS A CONTROLLED DOCUMENT.

| | | | | | | |
|-------------|---|------------------|---------------------|-----------|------------|---------------|
| DWN | M. MAEBASHI | 05DEC2005 | TE Connectivity | | | |
| CHK | T. SAKAMOTO | 06JAN2006 | | | | |
| APVD | D. MITSUGI | 10JAN2006 | | | | |
| NAME | L METAL HOOK FOR DYNAMIC FREE HANGING (D-3) | | | | | |
| DIMENSIONS: | TOLERANCES UNLESS OTHERWISE SPECIFIED: | PRODUCT SPEC | SIZE | CAGE CODE | DRAWING NO | RESTRICTED TO |
| 単位: 概 mm | 一般公差 ±0.3, ±3° | 108-5349 | A3 | 00779 | C-900121 | - |
| | 0 PLC ± | APPLICATION SPEC | SCALE | SHEET | OF | REV |
| | 1 PLC ±0.5 | 取付適用規格 | 尺度 | 3:1 | 1 | B |
| | 2 PLC ±0.13 | | | | | |
| | 3 PLC ±0.013 | | | | | |
| | 4 PLC ±0.0001 | | | | | |
| | ANGLES ± | | | | | |
| MATERIAL | FINISH | WEIGHT | Customer Drawing | | | |
| 材料 | 仕上 | - | | | | |