



# TCM-RFLV-D Series Wireless Lighting Module

Low Voltage RF Control Module with 0-10V Dimming

Intelligent Device  
**ECOSYSTEM**  
dynamic



**IP50**

## Module Electrical Specifications

Input Voltage Range:	11-13Vdc
Input Current Module Power:	≤0.09A for Units power use

## Module Environmental Specifications

Maximum Case Temp.	72°C
Operating Temperature:	-20°C to +60°C
Storage Temperature:	-40°C to +80°C
Humidity:	5% to 95%
Cooling:	Convection
Vibration Frequency:	5 to 55 Hz/2g, 30 minutes
Impact Resistance:	1g/s
EMC:	FCC 47CFR Part 15 Class B compliant
Weight:	2.1 oz (59g)

## Remote Specifications

RF:	2.4GHz RF Remote Control
Emission Power:	8dbm
Power by:	(2) AAA batteries (Included)
Working voltage:	3V
Radio frequency:	2400-2483.5MHz
Modulation mode:	GFSK
Standby Power Consumption:	5uA, Control distance 65 - 98 feet
Size:	4.33in Long x 2.12in Wide x 0.78in Height
Low Battery Indicator:	When the red LED indicator on the face of the remote control remains on it means batteries need to be changed.



- RF Cordless Remote Wireless Control for Luminaires
- 2.4GHz, +8dBm RF
- 0-10V Analog Dimming Control, 50mA Sink
- Compatible with LED Drivers & Electronic Ballasts that comply with IEC60929 Annex E2, 0-10V Dimming
- Dust Proof Design IP50
- Gray 5VA PC ABS Plastic Case
- UL Dry & Damp location rated
- TCM-RF-REMOTE 2.4GHz RF handheld controls brightness when programmed to TCM-RFLV-D modules
- Each TCM-RFLV-D module can be synced to 20 separate remotes max
- Each TCM-RF remote can be synced to 20 separate modules per group max
- Designed for one module per luminaire
- UL2043 Plenum Rated for use in ceiling spaces
- 5 year warranty

## Controllers

Model	Description
TCM-RFLV-D	Thomas Control Module - RF Cordless Dimming Control
<b>Class 2:</b> US/Canada	

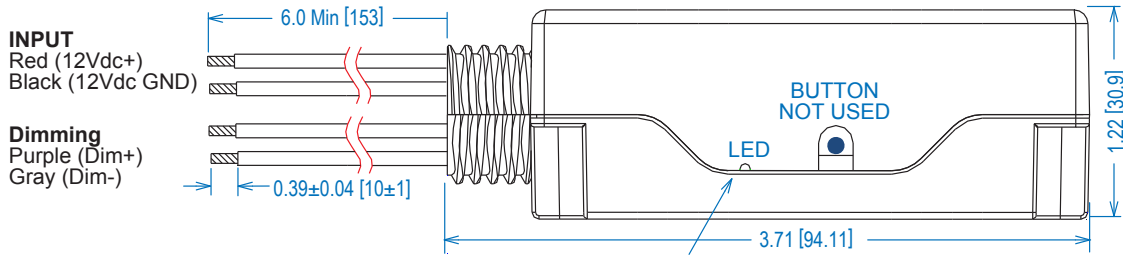
## Accessories

Model	Description
TCM-RF-REMOTE	Thomas Control Module - RF Cordless Remote

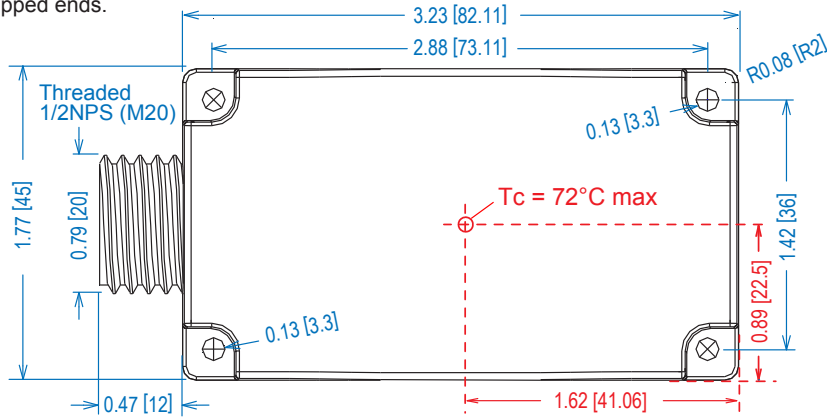
Safety Cert.	Standard
UL/CUL	UL8750 & CAN/CSA C22.2 No. 250.13, UL2043 Plenum Rated
CE	EN 61347-1, EN61347-2-13
EMC Standard	Notes
Dimming Circuit	UL & cUL Isolated Class 2, Dim+ Purple/Dim- Gray
FCC Part 15	Class B



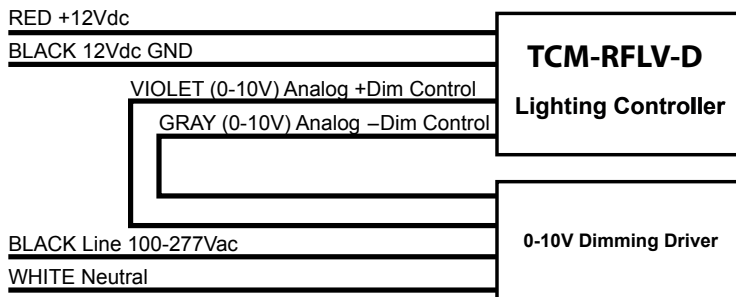
### Dimensions



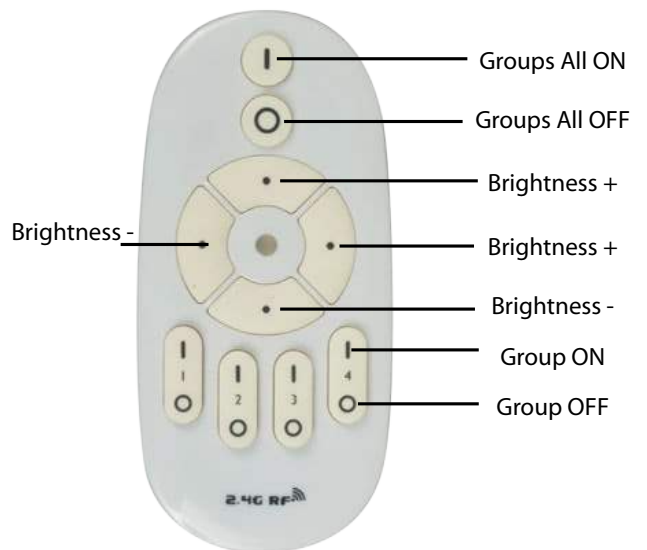
**WIRE SPECS:**  
**Input Leads:** 22 AWG, rated 300 V, 105C, min.  
**Output Leads:** 22 AWG, rated 300 V, 105C, min.  
 All wires are stranded with solder dipped ends.



### Typical Application Circuit



### RF Remote



**TCM-RF-REMOTE**

### UL Conditions of Acceptability

See website for additional information