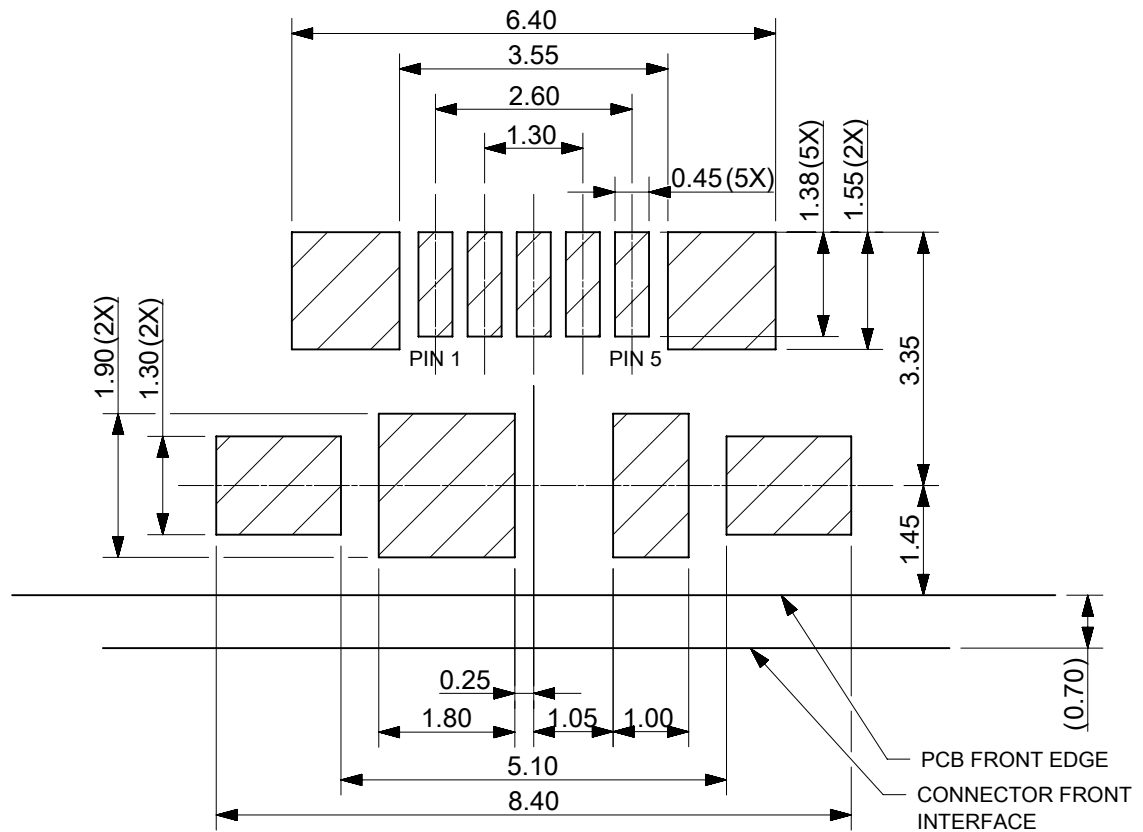
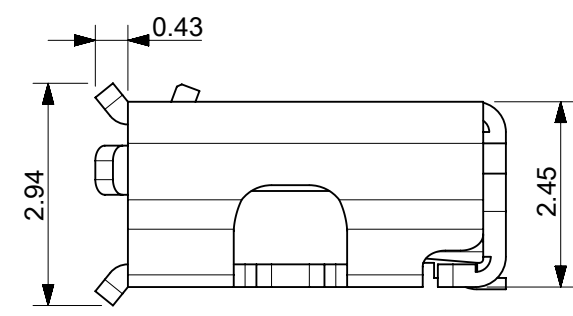
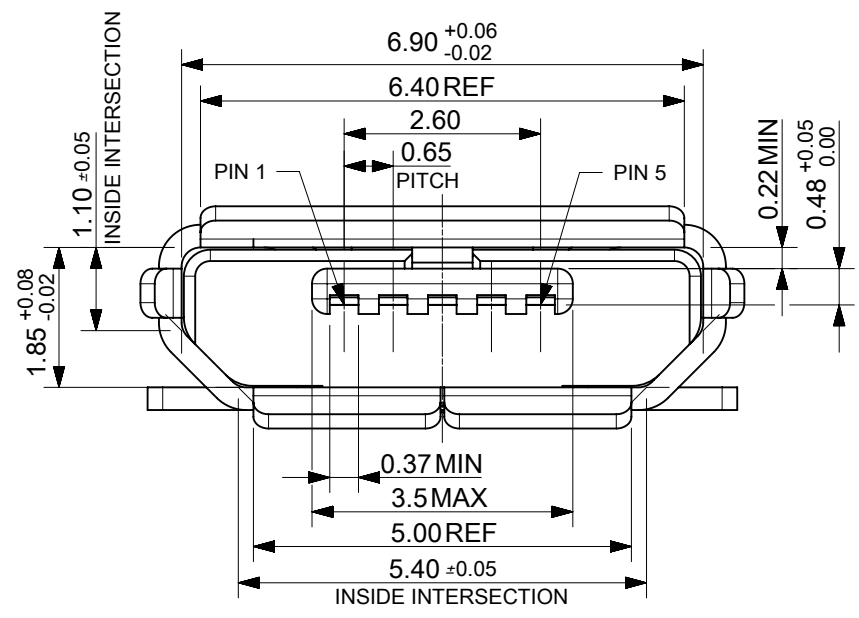
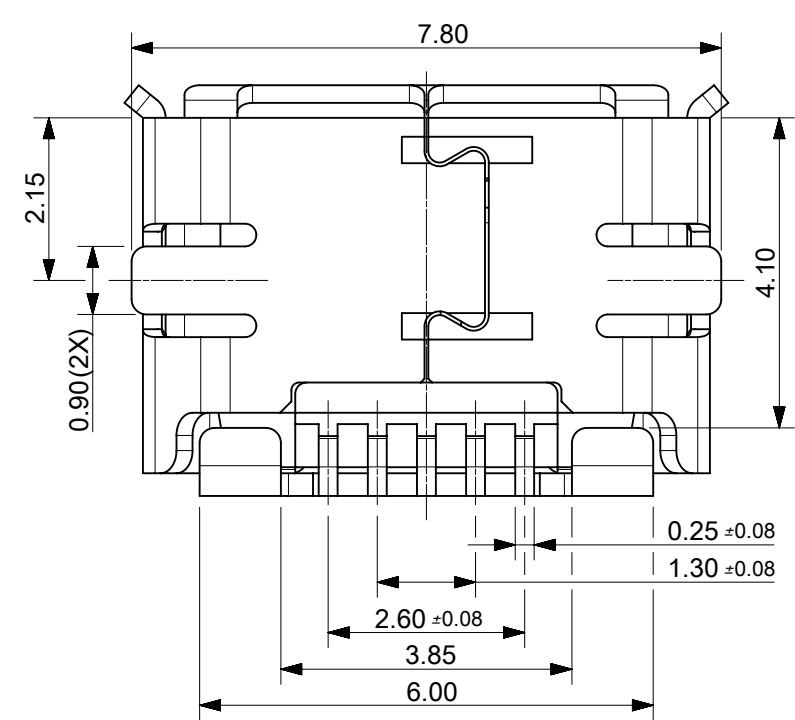


- NOTES:
- MATERIAL:  
HOUSING: LCP, BLACK, UL94V-0;  
TERMINAL: COPPER ALLOY, THICKNESS: 0.15mm;  
SHELL: STAINLESS STEEL, THICKNESS: 0.30mm.
  - PLATING:  
TERMINAL:  
CONTACT AREA: GOLD FLASH OVER MINIMUM 0.75MICRON Pd/Ni;  
SOLDER TAIL AREA: GOLD FLASH;  
UNDER PLATING: NICKEL 2.0MICRON MINIMUM.  
SHELL:  
MATTE TIN 3.8MICRON MINIMUM;  
UNDER PLATING: NICKEL 1.27MICRON MINIMUM.
  - TAIL & NAIL COPLANARITY 0.08mm MAXIMUM.
  - PRODUCT SPECIFICATION: PS-47346-001.
  - PACKAGE SPECIFICATION: PK-47346-001.
  - COMPLIANT TO RoHS DIRECTIVE 2011/65/EU AND ELV 2000/53/EC.



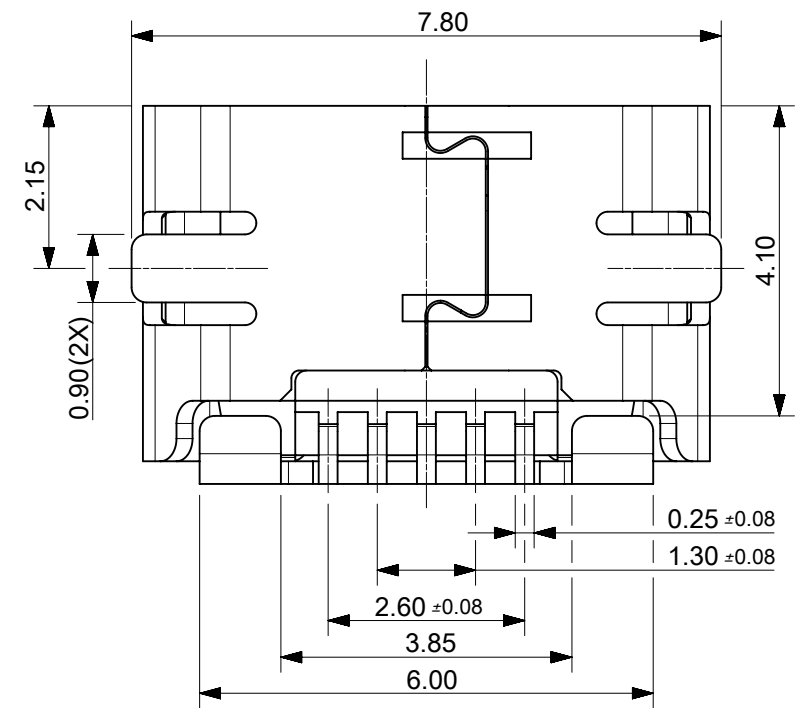
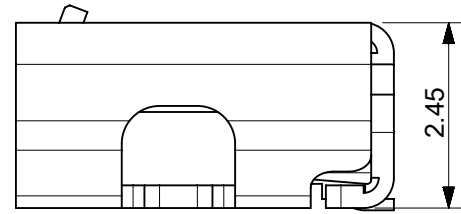
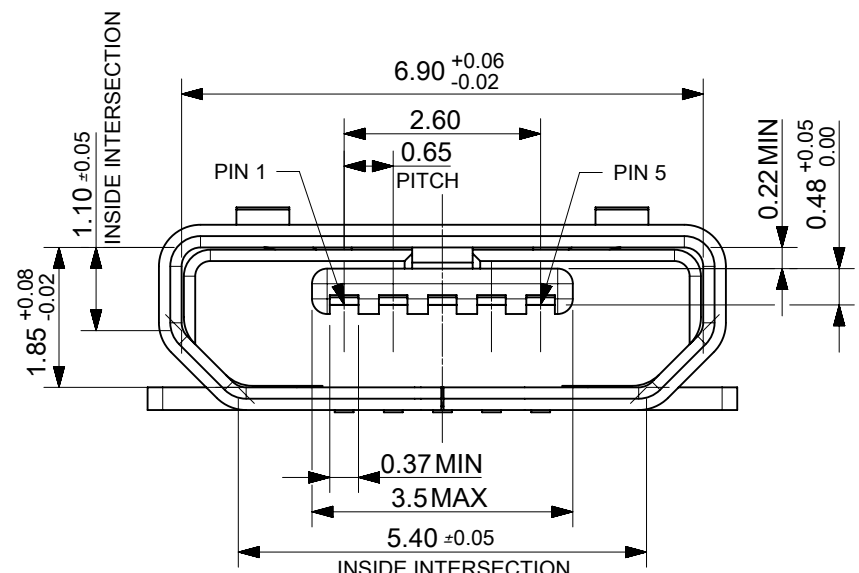
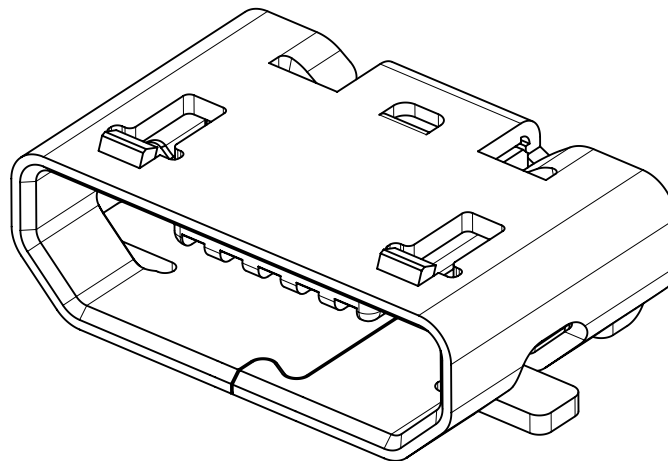
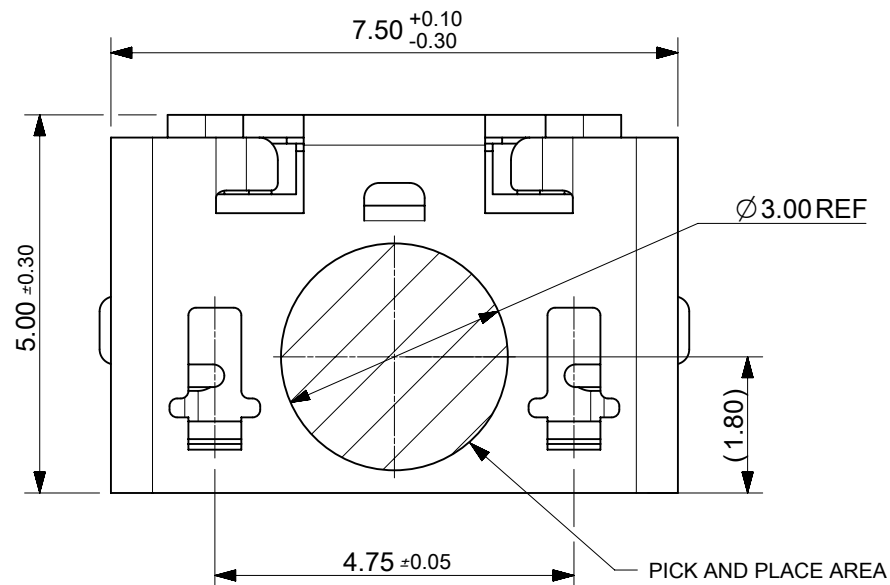
5	GND
4	ID
3	D+
2	D-
1	VBUS
PIN	NAME
PIN ASSIGNMENT	



47346-0001	WITH FLANGE
PART NUMBER	DESCRIPTION

RECOMMENDED P.C.B. PATTERN LAYOUT  
GENERAL TOLERANCE: ±0.05

THIS DRAWING CONTAINS INFORMATION THAT IS PROPRIETARY TO MOLEX ELECTRONIC TECHNOLOGIES, LLC AND SHOULD NOT BE USED WITHOUT WRITTEN PERMISSION											
DIMENSION UNITS: mm		SCALE: NTS		CURRENT REV DESC: REVISED PCB LAYOUT				<b>molex</b>		MICRO USB B REC. BOTTOM MOUNT ASS'Y	
GENERAL TOLERANCES (UNLESS SPECIFIED)		ANGULAR TOL ± 3.0°		EC NO: 605691							
4 PLACES ±		3 PLACES ±		DRWN: XQZHANG		2018/10/09		DOCUMENT NUMBER		DOC TYPE DOC PART REVISION	
2 PLACES ± 0.25		1 PLACE ± 0.25		CHK'D: AYIN		2019/01/30		SD-47346-001		PSD 001 E	
0 PLACES ±		DRAFT WHERE APPLICABLE MUST REMAIN WITHIN DIMENSIONS		APPR: JNCHEN		2019/01/30		INITIAL REVISION:		SHEET NUMBER	
		THIRD ANGLE PROJECTION		DRAWING: A3-SIZE		SERIES: 47346		MATERIAL NUMBER: SEE TABLE		CUSTOMER: GENERAL MARKET	



5	GND
4	ID
3	D+
2	D-
1	VBUS
PIN	NAME
PIN ASSIGNMENT	

47346-1001	FLANGELESS TYPE
PART NUMBER	DESCRIPTION

THIS DRAWING CONTAINS INFORMATION THAT IS PROPRIETARY TO MOLEX ELECTRONIC TECHNOLOGIES, LLC AND SHOULD NOT BE USED WITHOUT WRITTEN PERMISSION

DIMENSION UNITS	SCALE	CURRENT REV DESC: REVISED PCB LAYOUT		<b>molex</b>		
mm	NTS					
GENERAL TOLERANCES (UNLESS SPECIFIED)		EC NO: 605691		MICRO USB B REC. BOTTOM MOUNT ASS'Y		
ANGULAR TOL ± 3.0 °		DRWN: XQZHANG 2018/10/09				
4 PLACES ±		CHK'D: AYIN 2019/01/30		PRODUCT CUSTOMER DRAWING		
3 PLACES ±		APPR: AYIN 2019/01/30				
2 PLACES ± 0.25		INITIAL REVISION:		DOCUMENT NUMBER		
1 PLACE ± 0.25		DRWN: XJSONG 2006/12/11				
0 PLACES ±		APPR: JNCHEN 2007/04/27		DOC TYPE		
DRAFT WHERE APPLICABLE MUST REMAIN WITHIN DIMENSIONS		THIRD ANGLE PROJECTION				
		DRAWING		REVISION		
		SERIES				
		MATERIAL NUMBER		GENERAL MARKET		
		CUSTOMER				
		SHEET NUMBER				