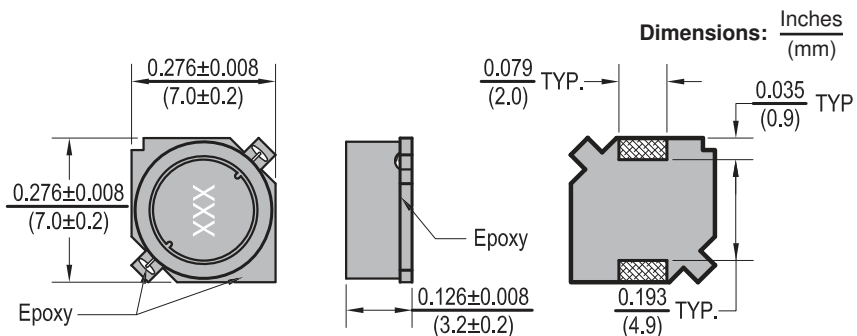


PCSLF0732 Power Chip Shielded Inductors



Features

- Shielded SMD Power Inductor
- Suitable for high current applications
- Low profile
- Low Power loss and High current

Electrical

Inductance Range: 2.2μh to 1000μh

Tolerance: 20% over entire range

Operating Temp: -40°C ~ +85°C

IDC: Current at which inductance drops by 10% of initial value

Resistance to Soldering Heat

Pre-Heat 150°C, 1 minute.

Solder Composition: Sn/Ag3.0/Cu0.5

Solder Temp: 260°C ± 5°C for 10 sec. ± 1 sec.

Test Equipment

(L): HP 4192A LF Impedance Analyzer

(RDC): Chen Hwa 502BC

(IDC): HP4284A + HP42841A /
Chen Hwa 1061+301A

Physical

Packaging: 1000 pieces per 13 inch reel.

Marking: EIA Inductance Code

Allied Part Number	Inductance (μH)	Tolerance (%)	Test Freq. KHz, 0.5v	RDC (Ω) ±20%	IDC (A)
PCSLF0732-2R2M-RC	2.2	20	1	.018	2.1
PCSLF0732-3R3M-RC	3.3	20	1	.023	1.9
PCSLF0732-4R7M-RC	4.7	20	1	.036	1.7
PCSLF0732-6R8M-RC	6.8	20	1	.041	1.6
PCSLF0732-100M-RC	10	20	1	.053	1.4
PCSLF0732-150M-RC	15	20	1	.075	1.1
PCSLF0732-220M-RC	22	20	1	0.11	.96
PCSLF0732-330M-RC	33	20	1	0.16	.75
PCSLF0732-470M-RC	47	20	1	0.24	.67
PCSLF0732-680M-RC	68	20	1	0.31	.59
PCSLF0732-101M-RC	100	20	1	0.45	.45
PCSLF0732-151M-RC	150	20	1	0.65	.37
PCSLF0732-221M-RC	220	20	1	1.05	.29
PCSLF0732-331M-RC	330	20	1	1.67	.22
PCSLF0732-471M-RC	470	20	1	2.05	.20
PCSLF0732-681M-RC	680	20	1	3.15	.16
PCSLF0732-102M-RC	1000	20	1	4.78	.13

All specifications subject to change without notice.