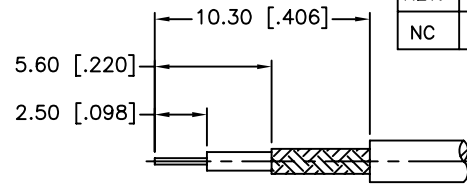
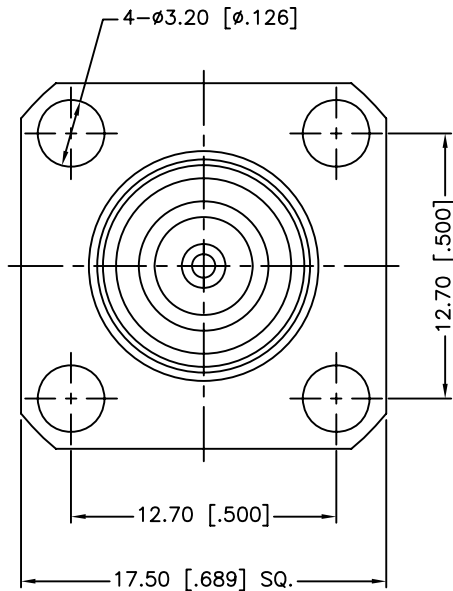


RECOMMENDED MOUNTING HOLE

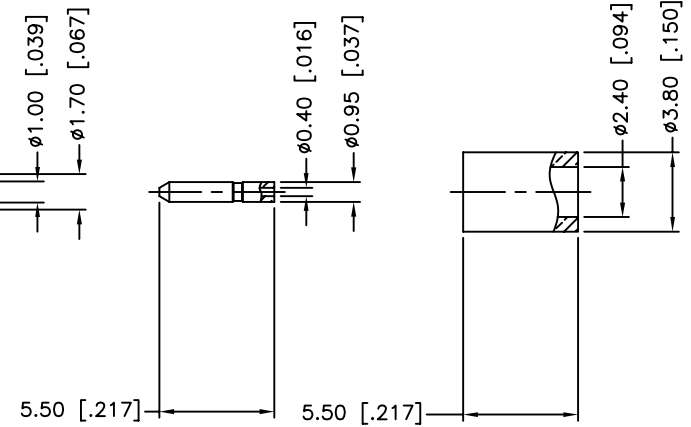
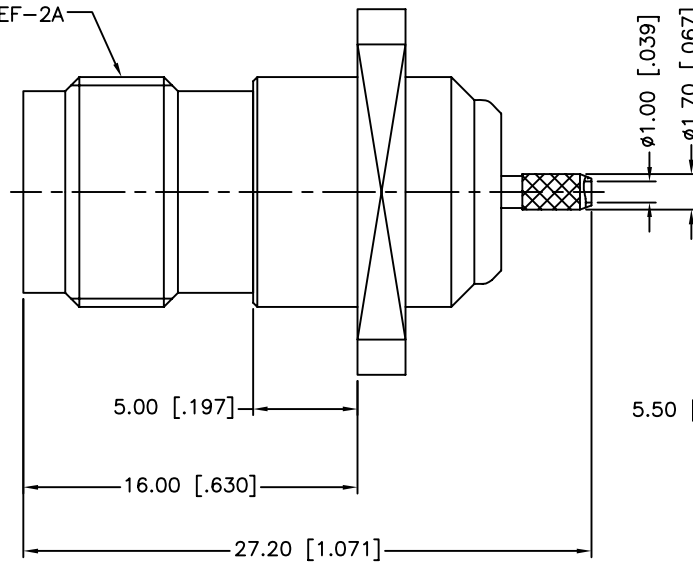


RECOMMENDED CABLE STRIPPING DIM'S

REV.	DATE	ECR NO.	DESCRIPTION
NC	03/04/10	XXXXXX	INITIAL RELEASE



7/16-28UNEF-2A



1. CRIMPED FERRULE
HEX CRIMP SIZE .128"
2. CRIMPED CONTACT PIN
SQ. CRIMP SIZE 0.7mm

QTY	DESCRIPTION	MATERIAL	FINISH
7	FERRULE	COPPER	NICKEL
6	CONTACT PIN	BRASS	GOLD
5	BARREL	BRASS	NICKEL
4	CONTACT PIN	PHOSPHOR BRONZE	GOLD
3	INSULATOR	PTFE	NATURAL
2	BODY	BRASS	NICKEL
1	HOUSING	BRASS	NICKEL

UNLESS OTHERWISE SPECIFIED DIMENSIONS ARE IN MILLIMETERS. DIMENSIONS IN [] ARE IN INCHES AND FOR CUSTOMER REFERENCE ONLY.

UNLESS OTHERWISE SPECIFIED TOLERANCES FOR MILLIMETERS ARE:
 0.5 - 8mm ± 0.20mm
 8 - 30mm ± 0.40mm
 30 - 120mm ± 0.50mm

UNLESS OTHERWISE SPECIFIED TOLERANCES FOR INCHES ARE:
 .020 - .315 = ± 0.007"
 .315 - 1.180 = ± 0.015"
 1.180 - 4.724 = ± 0.020"

DO NOT SCALE DRAWING

APPROVALS	DATE
DRAWN M.ZHANG	03/04/10
CHECKED	
ISSUED	
SHEET 1 OF 1	
CAD FILE C:/CONNEX/122442RP.DWG	

Amphenol Connex

PART DESCRIPTION
**TNC REVERSE POLARTY BULKHEAD CRIMP JACK
 (FOR RG-178B/U,196A/U)**

PART NO. **122442RP**

DWG. NO. 122442RP.DWG REV. NC SIZE A SCALE NA