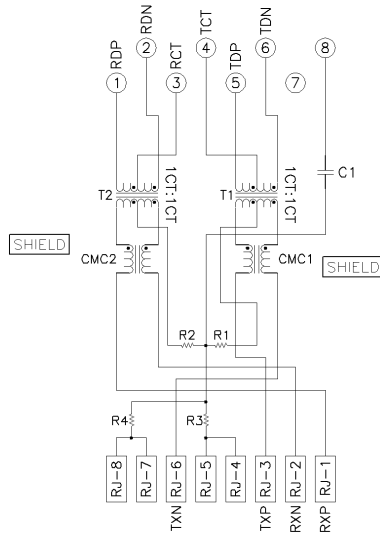
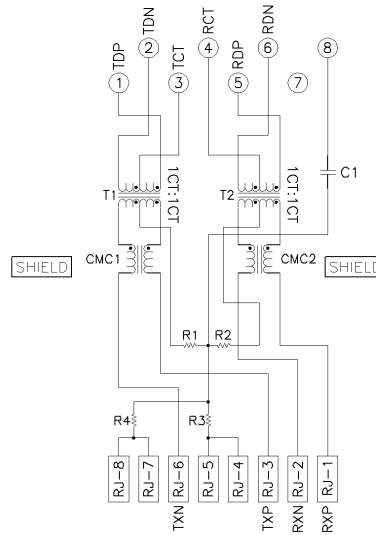


ELECTRICAL:

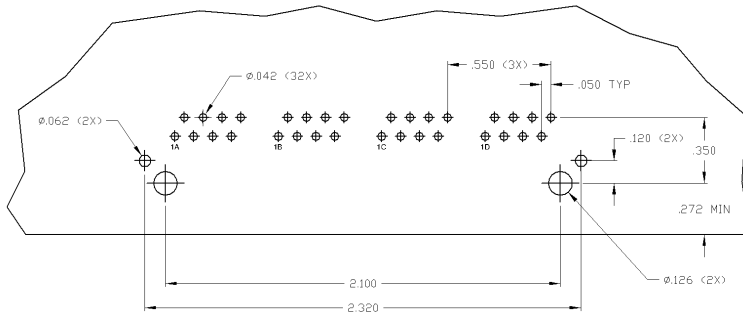
766K1 SERIES MAGNETIC CIRCUIT
PORTS A & C



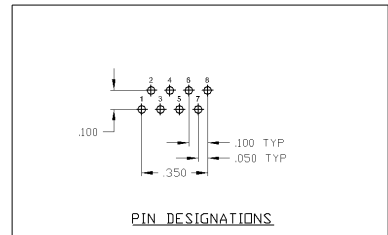
766K1 SERIES MAGNETIC CIRCUIT
PORTS B & D



C1 = 1000 pF, 3kV CAPACITOR
R1-R4 = 75 OHMS, 1/16W RESISTORS



SUGGESTED PCB LAYOUT
(Component Side)



PIN DESIGNATIONS

THIS DRAWING IS A CONTROLLED DOCUMENT.		13 JUL 2007	13 JUL 2007	Type Electronics Corporation	
DATE		13 JUL 2007	13 JUL 2007	Customer: One	
DESCRIPTION		174 MAG45(TN) MODULAR JACK, 7K1 SCHEMATIC	174 MAG45(TN) MODULAR JACK, 7K1 SCHEMATIC	766K1 SERIES CIRCUIT, SHIELDED, OPTIONAL PANEL	
REV		108-2100	108-2100	GROUND TABS, DECOUPLING CAPACITOR, NO LEADS	
PART		108-2100	108-2100	SEE TYPICAL DRAWING	
MATERIAL				REVISE	
DRAWN				A1 00779 1840541	
CHECKED				REV 4-1	
APPROVED				PAGE 2 OF 2	
CUSTOMER DRAWING				REV B	