



FCIconnect.com

Copyright FCI.

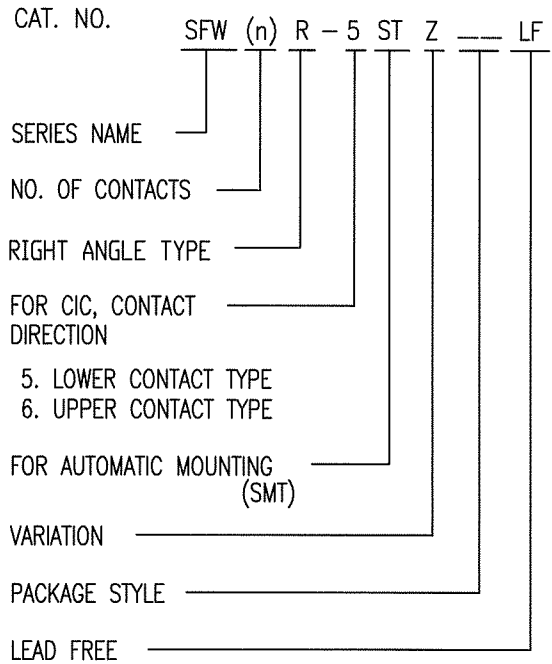
List of "SFW__R-5/6STZE1LF" customer document

DOCUMENT NO.	LIST
SC-SFW12	SPEC.
JSA97270	CAT.NO.TABLE FOR 1mm SPACING SMT CONNECTOR (SFW__R-5/6STZ__LF)
JSA97271	1mm SPACING SMT CONNECTOR (SFW__R-5STZ__LF)
JSA97272	1mm SPACING SMT CONNECTOR (SFW__R-6STZ__LF)
JSA97273	CAT.NO.TABLE FOR PLASTIC TAPE PACKAGED 1mm SPACING SMT CONNECTOR (SFW__R-5/6STZE1LF)
JSA97274	PLASTIC TAPE PACKAGED 1mm SPACING SMT CONNECTOR (SFW__R-5STZE1LF)
JSA97275	PLASTIC TAPE PACKAGED 1mm SPACING SMT CONNECTOR (SFW__R-6STZE1LF)
JSA91675	RECOMMENDED CABLE (CIC) (SFW__R-5/6ST__)

mat'l. code				surface ISO 1302 <input checked="" type="checkbox"/>		tolerance ISO 406 ISO 1101		projection 		product family 58RF		CODE JP	
ltr		ecn no		dr		date		tolerances unless otherwise specified		title			
A		J07-0086		H.T		2/5/07		angles		1mm SPACING CIC CONNECTOR DOCUMENT LIST			
								linear		(Cat. No. : SFW__R-5/6STZE1LF)			
								scale		dwg no		sheet 1 of 1 size	
				dr		2/5/07				JSA 97269		A4	
				enr		2/5/07				type		Product Customer Drawing	
				chr		2/7/07							
				appd		2/7/07							
sheet index		revision sheet		A		1						Rev A	

CAT. NO. & DIMENSIONS

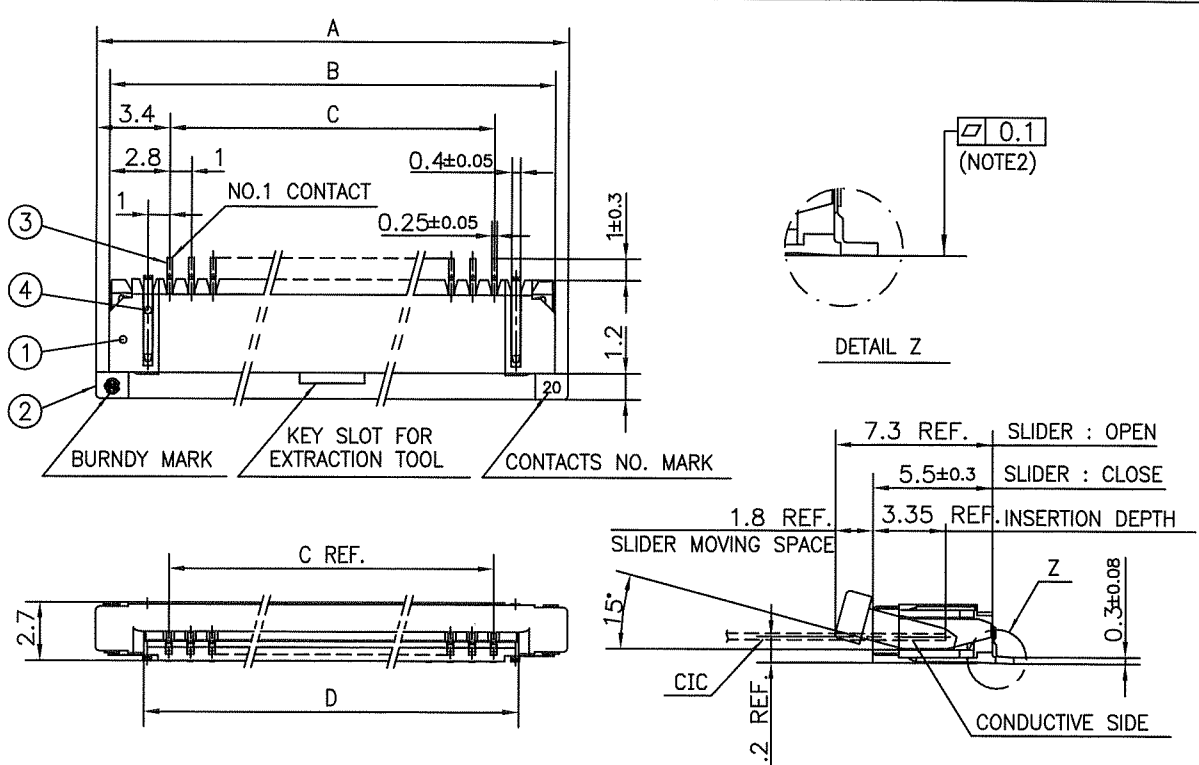
NO. OF CONTACTS (n)	CAT. NO.	DIMENSIONS (NOTE2)			
		A ± 0.2	B ± 0.2	C ± 0.2	D ± 0.1
4	SFW4R-5/6STZ__LF	9.8	8.6	3.0	5.3
5	SFW5R-5/6STZ__LF	10.8	9.6	4.0	6.3
6	SFW6R-5/6STZ__LF	11.8	10.6	5.0	7.3
7	SFW7R-5/6STZ__LF	12.8	11.6	6.0	8.3
8	SFW8R-5/6STZ__LF	13.8	12.6	7.0	9.3
9	SFW9R-5/6STZ__LF	14.8	13.6	8.0	10.3
10	SFW10R-5/6STZ__LF	15.8	14.6	9.0	11.3
11	SFW11R-5/6STZ__LF	16.8	15.6	10.0	12.3
12	SFW12R-5/6STZ__LF	17.8	16.6	11.0	13.3
13	SFW13R-5/6STZ__LF	18.8	17.6	12.0	14.3
14	SFW14R-5/6STZ__LF	19.8	18.6	13.0	15.3
15	SFW15R-5/6STZ__LF	20.8	19.6	14.0	16.3
16	SFW16R-5/6STZ__LF	21.8	20.6	15.0	17.3
17	SFW17R-5/6STZ__LF	22.8	21.6	16.0	18.3
18	SFW18R-5/6STZ__LF	23.8	22.6	17.0	19.3
19	SFW19R-5/6STZ__LF	24.8	23.6	18.0	20.3
20	SFW20R-5/6STZ__LF	25.8	24.6	19.0	21.3
21	SFW21R-5/6STZ__LF	26.8	25.6	20.0	22.3
22	SFW22R-5/6STZ__LF	27.8	26.6	21.0	23.3
23	SFW23R-5/6STZ__LF	28.8	27.6	22.0	24.3
24	SFW24R-5/6STZ__LF	29.8	28.6	23.0	25.3
25	SFW25R-5/6STZ__LF	30.8	29.6	24.0	26.3
26	SFW26R-5/6STZ__LF	31.8	30.6	25.0	27.3
27	SFW27R-5/6STZ__LF	32.8	31.6	26.0	28.3
28	SFW28R-5/6STZ__LF	33.8	32.6	27.0	29.3
29	SFW29R-5/6STZ__LF	34.8	33.6	28.0	30.3
30	SFW30R-5/6STZ__LF	35.8	34.6	29.0	31.3



NOTES

1. THIS PRODUCT IS THE CONNECTOR USED FOR CIC AND COPES WITH AUTOMATIC MOUNTING (SMT).
2. SEE PART DRAWINGS FOR DIMENSIONS A~D.

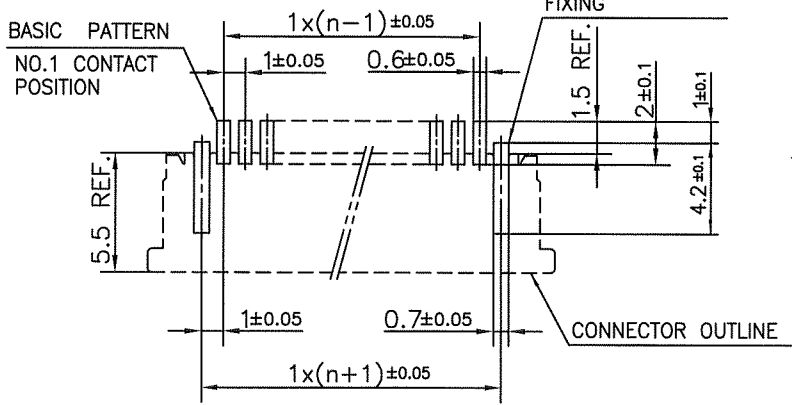
mat'l. code		surface ISO 1302 ✓		tolerance ISO 406 ISO 1101		projection 		product family 58RF		CODE JP	
ltr	ecn no	dr	date	tolerances unless otherwise specified		mm 		title CAT. NO. TABLE FOR 1mm SPACING SMT CONNECTOR (CAT.NO. SFW__R-5/6STZ__LF)			
A	J07-0086	H.T.	2/5/07	angles	linear	scale \times		dwg no		sheet 1 of 1 size	
				dr	<i>H. Shoybi</i> 2/8/07			JSA 97270		A4	
				enr	<i>H. Shoybi</i> 2/8/07			type Product Customer Drawing			
				chr	<i>R. Shoybi</i> 2/7/07						
				app	<i>S. Shoybi</i> 2/7/07						
sheet index	revision	A	1							Rev. A	



PT. NO.	PARTS NAME	MATERIAL	Q'TY	NOTE
1	HOUSING	PPS RESIN GLASS REINFORCED (UL94V-0)	1	COLOR:BROWN
2	SLIDER	PPS RESIN GLASS REINFORCED (UL94V-0)	1	COLOR:BEIGE
3	CONTACT	PHOSPHOR BRONZE	n	PLATING:THIN TIN
4	MOUNTING PLATE		2	PLATING:TIN

n : NO. OF CONTACTS

RECOMMENDED PC BOARD LAYOUT
(COMPONENT SIDE)

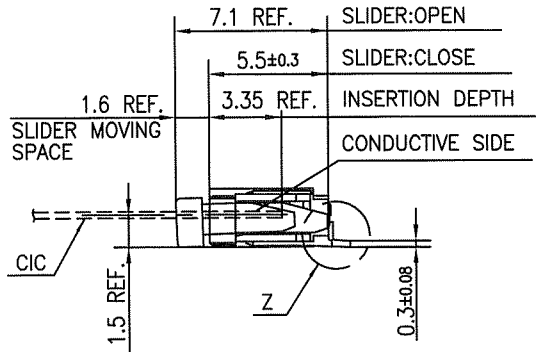
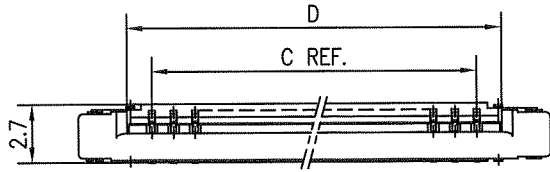
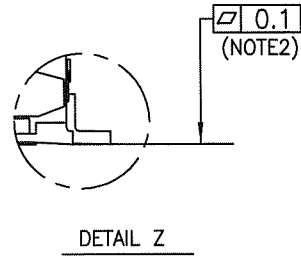
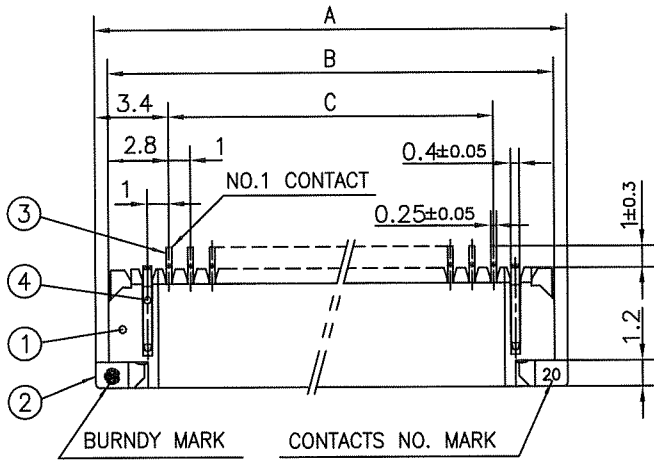


NOTES

1. THIS PRODUCT IS THE CONNECTOR USED FOR CIC AND COPES WITH AUTOMATIC MOUNTING (SMT).
2. FLATNESS FOR CONTACT TERMINAL HOUSING MUST BE WITHIN TOLERANCE IN Z PORTION DETAILED DRAWING.
3. THIS PRODUCT IS LOWER CONTACT TYPE CONNECTOR.
4. THIS PRODUCT MEETS EUROPEAN UNION DIRECTIVES AND OTHER COUNTRY REGULATIONS AS DESCRIBED IN GS-22-008
5. THE HOUSING WILL WITHSTAND EXPOSURE TO 260°C PEAK TEMPERATURE FOR 10 SECONDS IN A REFLOW SOLDERING OVEN.

mat'l. code		surface		tolerance		projection		product family		CODE	
		ISO 1302		ISO 406		mm		58RF		JP	
ltr		ecn no		dr		date		title			
A		J07-0086		H.T		2/5/07		1mm SPACING SMT CONNECTOR			
								(Cat. No. SFW__R-5STZ__LF)			
								dwg no		sheet 1 of 1	
								JSA 97271		A4	
								type		Product Customer Drawing	
sheet index		revision		A						Rev	
sheet		1								A	

SC-SFW12 JSA97270
form: A4



PT. NO.	PARTS NAME	MATERIAL	Q'TY	NOTE
1	HOUSING	PPS RESIN GLASS	1	COLOR:BROWN
2	SLIDER	REINFORCED (UL94V-0)	1	COLOR:BEIGE
3	CONTACT	PHOSPHOR BRONZE	n	PLATING:THIN TIN
4	MOUNTING PLATE		2	PLATING:TIN

n : NO. OF CONTACTS

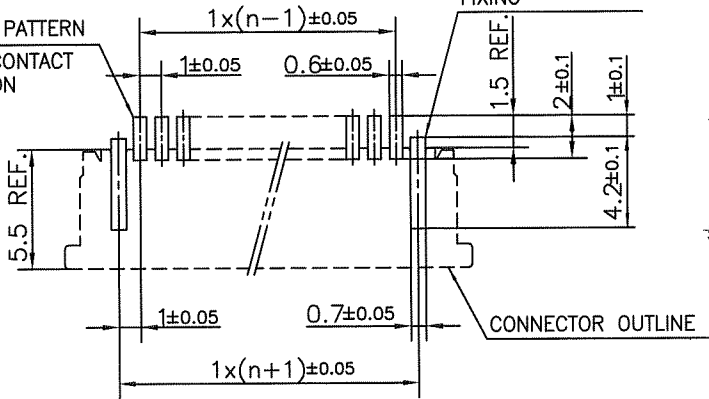
NOTES

1. THIS PRODUCT IS THE CONNECTOR USED FOR CIC AND COPES WITH AUTOMATIC MOUNTING (SMT).
2. FLATNESS FOR CONTACT TERMINAL HOUSING MUST BE WITHIN TOLERANCE IN Z PORTION DETAILED DRAWING.
3. THIS PRODUCT IS UPPER CONTACT TYPE CONNECTOR.
4. THIS PRODUCT MEETS EUROPEAN UNION DIRECTIVES AND OTHER COUNTRY REGULATIONS AS DESCRIBED IN GS-22-008
5. THE HOUSING WILL WITHSTAND EXPOSURE TO 260°C PEAK TEMPERATURE FOR 10 SECONDS IN A REFLOW SOLDERING OVEN.

RECOMMENDED PC BOARD LAYOUT (COMPONENT SIDE)

BASIC PATTERN
NO.1 CONTACT POSITION

PATTERN FOR MOUNTING PLATE FIXING



mat'l. code		surface ISO 1302 ✓		tolerance ISO 406 ISO 1101		projection		product family 58RF		CODE JP	
ltr	ecn no	dr	date	tolerances unless otherwise specified		mm		title			
A	J07-0086	H.T	2/5/07	angles	linear	mm		1mm SPACING SMT CONNECTOR (Cat. No. SFW__R-6STZ__LF)			
sheet index		revision	A	dr	2/5/07	scale X		dwg no		sheet 1 of 1 size	
sheet 1				enr	2/5/07	FCJ		JSA 97272		A4	
				chr	2/7/07			type Product Customer Drawing			
				appd	2/7/07						

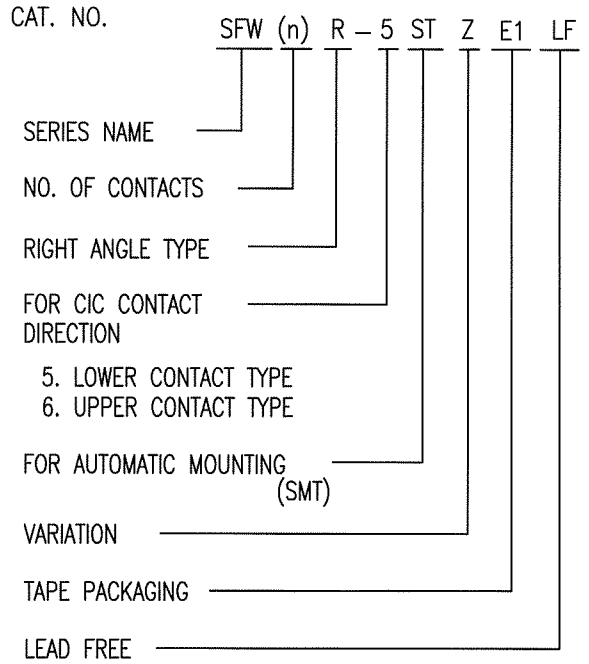


FCJconnect.com

Copyright FCJ.

CAT. NO. & DIMENSIONS

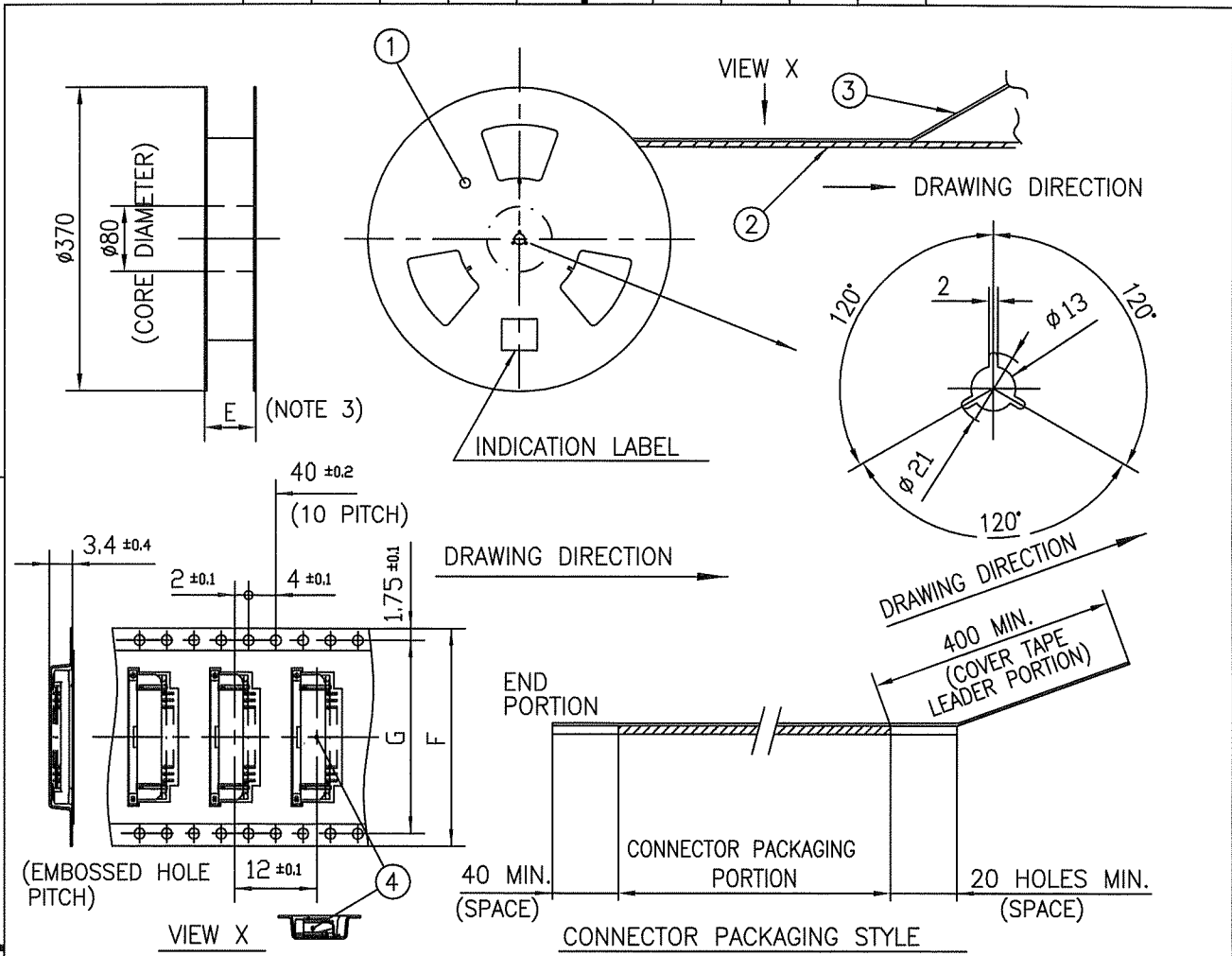
NO. OF CONTACTS (n)	CAT. NO. (NOTE2)	DIMENSIONS (NOTE3)		
		E ± 5	F ± 0.3	G ± 0.1
4	SFW4R-5/6STZE1LF	20.4	16	—
5	SFW5R-5/6STZE1LF	28.4	24	—
6	SFW6R-5/6STZE1LF	28.4	24	—
7	SFW7R-5/6STZE1LF	28.4	24	—
8	SFW8R-5/6STZE1LF	28.4	24	—
9	SFW9R-5/6STZE1LF	28.4	24	—
10	SFW10R-5/6STZE1LF	28.4	24	—
11	SFW11R-5/6STZE1LF	28.4	24	—
12	SFW12R-5/6STZE1LF	28.4	24	—
13	SFW13R-5/6STZE1LF	36.4	32	28.4
14	SFW14R-5/6STZE1LF	36.4	32	28.4
15	SFW15R-5/6STZE1LF	36.4	32	28.4
16	SFW16R-5/6STZE1LF	36.4	32	28.4
17	SFW17R-5/6STZE1LF	48.4	44	40.4
18	SFW18R-5/6STZE1LF	48.4	44	40.4
19	SFW19R-5/6STZE1LF	48.4	44	40.4
20	SFW20R-5/6STZE1LF	48.4	44	40.4
21	SFW21R-5/6STZE1LF	48.4	44	40.4
22	SFW22R-5/6STZE1LF	48.4	44	40.4
23	SFW23R-5/6STZE1LF	48.4	44	40.4
24	SFW24R-5/6STZE1LF	48.4	44	40.4
25	SFW25R-5/6STZE1LF	48.4	44	40.4
26	SFW26R-5/6STZE1LF	48.4	44	40.4
27	SFW27R-5/6STZE1LF	48.4	44	40.4
28	SFW28R-5/6STZE1LF	60.4	56	52.4
29	SFW29R-5/6STZE1LF	60.4	56	52.4
30	SFW30R-5/6STZE1LF	60.4	56	52.4



NOTES

1. THIS PRODUCT IS THE CONNECTOR USED FOR CIC AND COPES WITH AUTOMATIC MOUNTING (SMT).
2. THIS CATALOG NO. INDICATES PLASTIC TAPE PACKAGED CONNECTOR.
3. SEE PART DRAWINGS FOR DIMENSIONS E~G.

mat'l. code		surface ISO 1302 <input checked="" type="checkbox"/>		tolerance ISO 406 <input checked="" type="checkbox"/> ISO 1101		projection		product family 58RF		CODE JP	
ltr	ecn no	dr	date	tolerances unless otherwise specified		mm		title CAT. NO. TABLE FOR PLASTIC TAPE PACKAGED 1mm SPACING SMT CONNECTOR (CAT.NO. SFW__R-5/6STZE1LF)			
A	J07-0086	H.T.	2/5/07	angles linear		scale \times		dwg no JSA 97273		sheet 1 of 1 size A4	
sheet index		revision A		dr <i>H. Spindler</i> 2/5/07		engr <i>H. Spindler</i> 2/5/07		chr <i>R. Spindler</i> 2/5/07		appd <i>S. Anderson</i> 2/7/07	
sheet index		sheet 1								Rev A	



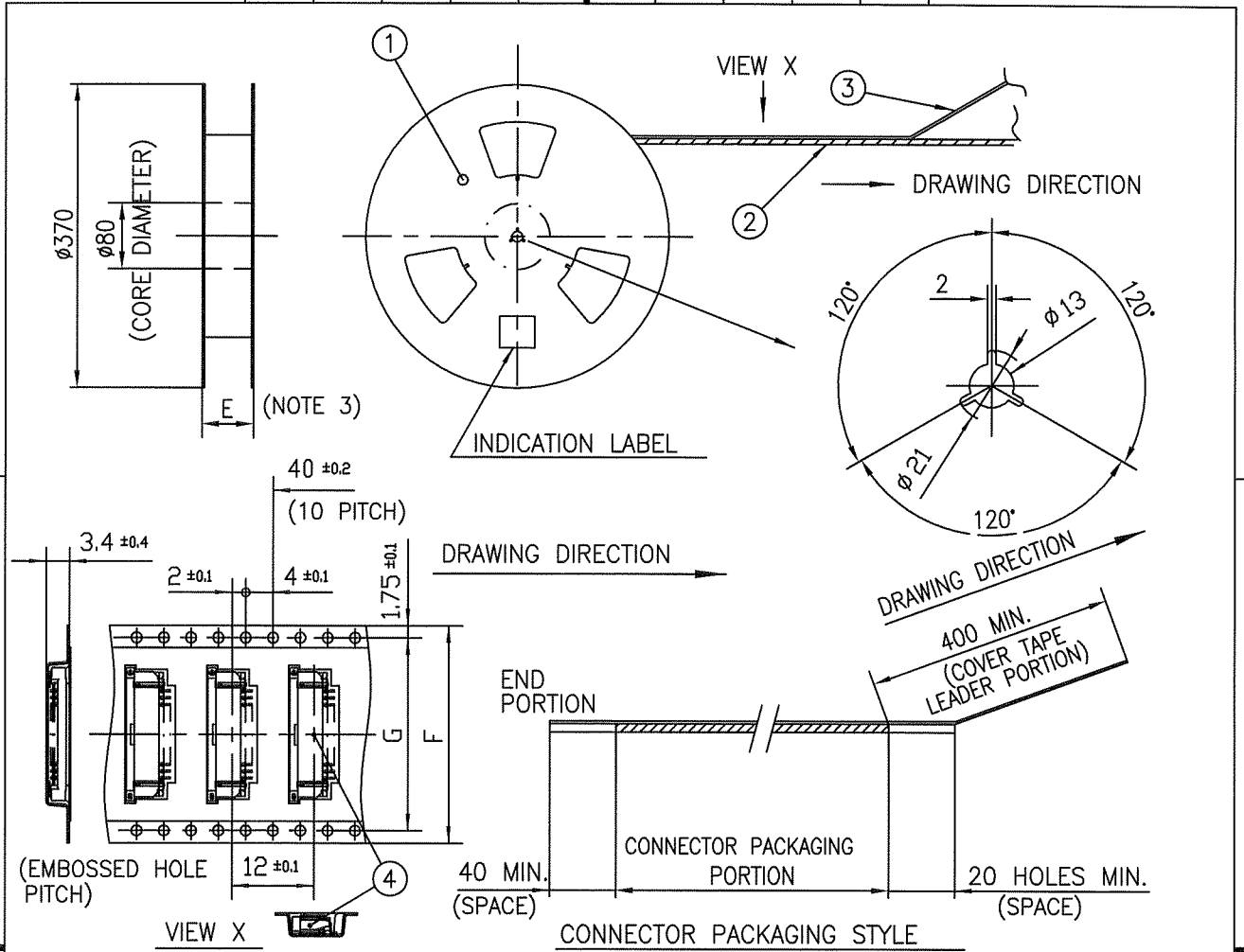
PT. NO.	PARTS NAME	CAT. NO.	MATERIAL	Q'TY	NOTE
1	REEL	_____	CARDBOARD	1	COLOR:WHITE
2	PLASTIC (EMBOSS) TAPE	_____	PET	_____	COLOR:TRANSPARENCY
3	COVER	_____	POLYESTER	_____	COLOR:TRANSPARENCY
4	CONNECTOR	SFW__R-5STZ__LF	SEE ATTACHED DWG	2000	LOWER CONTACT TYPE

- NOTES
1. THIS IS PLASTIC TAPE PACKAGED CONNECTOR USED FOR CIC AND COPES WITH AUTOMATIC MOUNTING (SMT).
 2. SEE JIS C 0806 (PACKING OF ELECTRONIC COMPONENTS ON CONTINUOUS TAPES (SURFACE MOUNTING DEVICES)) FOR SHAPE AND DIMENSIONS OF PLASTIC (EMBOSS) TAPE AND REEL.
 3. E DIMENSION IS PORTION OF THE CORE.

mat'l. code		surface ISO 1302 <input checked="" type="checkbox"/>		tolerance ISO 408 <input checked="" type="checkbox"/> ISO 1101		projection		product family 58RF		CODE JP	
ltr	ecn no	dr	date	tolerances unless otherwise specified		mm		title PLASTIC TAPE PACKAGED 1mm SPACING SMT CONNECTOR (CAT. NO. SFW__R-5STZE1LF)			
A	J07-0086	H.T.	2/5/07	angles	linear	scale \propto		dwg no		sheet 1 of 1 size	
				$\pm 5^\circ$				JSA 97274		A4	
				dr	2/8/07			type Product Customer Drawing			
				enr	2/8/07						
				chr	2/9/07						
sheet index	revision	A		appd	2/7/07					Rev A	

SC-SFW12 JSA97273 form: A4

FCJ
 FCconnect.com
 Copyright FCJ.



PT. NO.	PARTS NAME	CAT. NO.	MATERIAL	Q'TY	NOTE
1	REEL	—	CARDBOARD	1	COLOR:WHITE
2	PLASTIC (EMBOSS) TAPE	—	PET	—	COLOR:TRANSPARENCY
3	COVER	—	POLYESTER	—	COLOR:TRANSPARENCY
4	CONNECTOR	SFW_R-6STZ_LF	SEE ATTACHED DWG	2000	UPPER CONTACT TYPE

NOTES

- THIS IS PLASTIC TAPE PACKAGED CONNECTOR USED FOR CIC AND COPES WITH AUTOMATIC MOUNTING (SMT).
- SEE JIS C 0806 (PACKING OF ELECTRONIC COMPONENTS ON CONTINUOUS TAPES (SURFACE MOUNTING DEVICES)) FOR SHAPE AND DIMENSIONS OF PLASTIC (EMBOSS) TAPE AND REEL.
- E DIMENSION IS PORTION OF THE CORE.

mat'l. code		surface ISO 1302 <input checked="" type="checkbox"/>		tolerance ISO 406 <input checked="" type="checkbox"/>		projection		product family 58RF		CODE JP	
ltr	ecn no	dr	date	tolerances unless otherwise specified		mm		title PLASTIC TAPE PACKAGED 1mm SPACING SMT CONNECTOR (CAT.NO. SFW__R-6STZE1LF)			
A	J07-0086	H.T.	2/5/07	angles	linear	scale \times		dwg no		sheet 1 of 1 size	
				±5°				JSA 97275		A4	
sheet index		revision A		dr <i>S. Anderson</i> 2/5/07				type Product Customer Drawing		Rev. A	
		sheet 1		enr <i>S. Anderson</i> 2/5/07							
				chr <i>S. Anderson</i> 2/7/07							
				app <i>S. Anderson</i> 2/7/07							

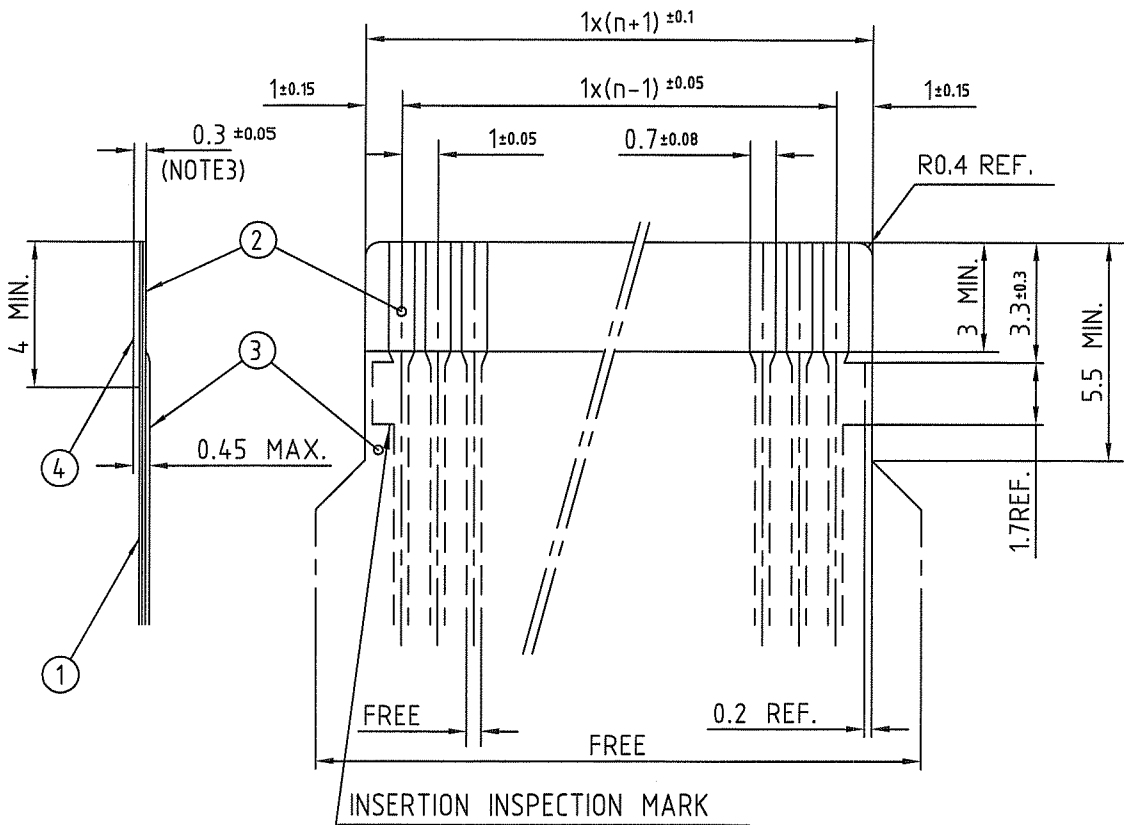


FCIconnect.com

Copyright FCI.

RECOMMENDED CABLE (CIC)

n: NO. OF CONDUCTOR



PT. NO.	PARTS NAME	MATERIAL	THICKNESS (um)	
1	BASE FILM	POLYESTER OR EQUAL	75	25
2	CONDUCTOR	CARBON PASTE OVER SILVER PASTE	10 MIN.	
3	OVERLAY	POLYIMIDE OR POLYESTER OR EQUAL	—	
4	SUPPORTING TAPE	POLYESTER OR POLYIMIDE OR EQUAL	188	250

- NOTES
1. NO BURR AT EACH PORTION.
 2. NO PEELING IN COMMON USE.
 3. TOTAL THICKNESS LIMIT OF EACH MATERIAL (INCLUDING ADHESIVE AGENT) IS SPECIFIED.

mat'l. code				surface 58 / tolerance ISO 1302 / ISO 406 / ISO 1101		projection		product family 58RF		CODE JP	
ltr	ecn no	dr	date	tolerances unless otherwise specified		mm		title			
1	—	—	4/12/'93	angles	linear	mm		RECOMMENDED CABLE (Cat. No. SFW_R-5/6_)			
AA	J05-0055	H.T	2/4/'05			scale X		dwg no sheet 1 of 1 size			
AB	J06-0398	H.T	9/26/'06			FCJ		JSA 91675 A4			
AC	J09-0363	M.Y	2009-10-8	dr	M.YAMASHITA	2009-10-8	type Product Customer Drawing				
				enr	M.YAMASHITA	2009-10-8					
				chr	S. Nishida	2009-10-8					
				appd	S. Nishida	2009-10-8					
sheet index	revision sheet	AC	1								Rev. AC