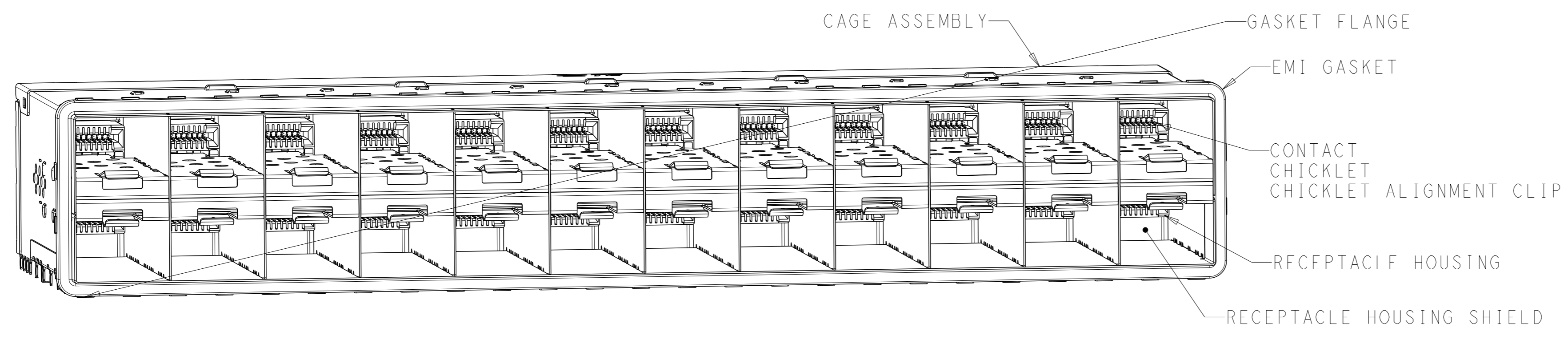
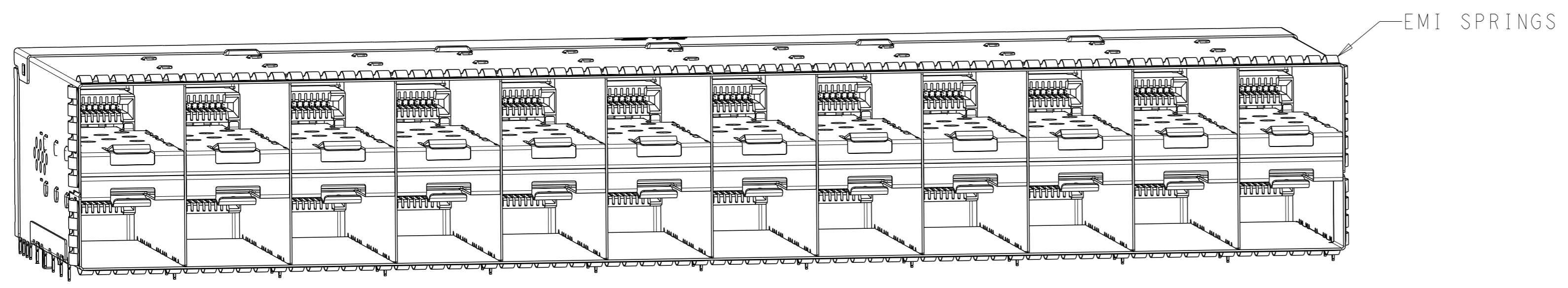


| LOC | | DIST | | REVISIONS | | | |
|-----|----|------|-------------|---------------------------|-------------|-----|------|
| GP | 00 | # | DATE | DESCRIPTION | DATE | OWN | APVD |
| | | 1 | 26 JAN 2015 | INITIAL RELEASE | 26 JAN 2015 | MS | PAR |
| | | A | 20 DEC 2015 | MASS PRODUCTION | 20 DEC 2015 | PP | SH |
| | | B | 26 JUL 2022 | REVISED PER ECN-22-166164 | 26 JUL 2022 | IT | SZ |

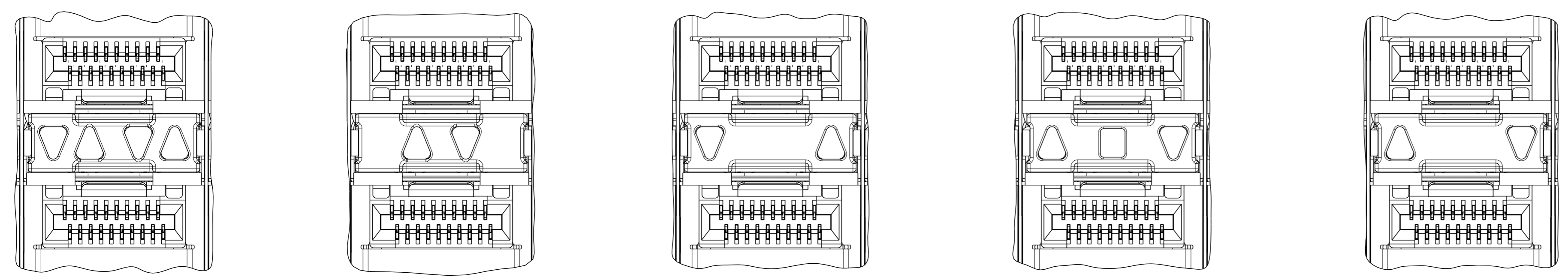


2288172-1



2288172-5

- MATERIALS:**
 CAGE ASSEMBLY - NICKEL-SILVER ALLOY PER ASTM B 122
 RECEPTACLE HOUSING - LCP, BLACK, UL 94V-0 RATED
 RECEPTACLE HOUSING SHIELD - COPPER ALLOY
 CHICKLET - LCP, BLACK, UL 94V-0 RATED
 CHICKLET ALIGNMENT CLIP - PBT
 CONTACT - COPPER ALLOY
 EMI GASKET - ELASTOMERIC
 GASKET FLANGE - STAINLESS STEEL
 LIGHT PIPE - POLYCARBONATE
 LIGHT PIPE HOUSING - ZINC ALLOY
 EMI SPRINGS - PHOSPHOR BRONZE PER ASTM B103
- CONTACT FINISH:**
 CONFORMS TO THE REQUIREMENTS OF TYCO ELECTRONICS
 PRODUCT SPECIFICATION 108-2481, BASED ON EIA/ECA-364-1000.01A,
 (CONTROLLED ENVIRONMENT APPLICATIONS) ON MATING INTERFACE,
 TIN ON NEEDLE EYE
- PCB MINIMUM THICKNESS = 1.5mm**
- FOR HOLE SIZE AND PLATINGS,
 SEE APPLICATION SPECIFICATION 114-13319
- LIGHT PIPE PAD LAYOUT IS FOR 0805 LOW PROFILE
 LED PACKAGE WITH A HEIGHT OF 0.8mm
- THE ENTIRE AREA OF THE CONNECTOR FOOTPRINT, INDICATED BY THE
 DASHED LINE, TO BE CONSIDERED THE KEEPCUT AREA FOR COMPONENTS
 AND SIGNAL TRACES, TOP SIDE ONLY, TOP SIDE TRACES ALLOWED
 WITHIN CONNECTOR HOLE PATTERN
- DIMENSION APPLIES FROM EMI SPRINGS ONLY.



INNER/OUTER LIGHT PIPE
 2288172-2, 2288172-6
 SCALE 4:1

INNER LIGHT PIPE
 2288172-3, 2288172-7
 SCALE 4:1

OUTER LIGHT PIPE
 2288172-4, 2288172-8
 SCALE 4:1

CENTER/REVERSED OUTER
 1-2288172-7, 1-2288172-9
 SCALE 4:1

REVERSED OUTER
 1-2288172-8, 2-2288172-0
 SCALE 4:1

| | | | |
|--------|-------------|--------------------------|-------------|
| 173.5 | EMI SPRINGS | REVERSED OUTER | 2-2288172-0 |
| | | CENTER/REVERSED OUTER | 1-2288172-9 |
| 176.25 | EMI GASKET | REVERSED OUTER | 1-2288172-8 |
| | | CENTER/REVERSED OUTER | 1-2288172-7 |
| 173.5 | EMI SPRINGS | OUTER | 2288172-8 |
| | | INNER | 2288172-7 |
| | | INNER/OUTER | 2288172-6 |
| | | NONE | 2288172-5 |
| 176.25 | EMI GASKET | OUTER | 2288172-4 |
| | | INNER | 2288172-3 |
| | | INNER/OUTER | 2288172-2 |
| | | NONE | 2288172-1 |
| (E) | CAGE TYPE | LIGHT PIPE CONFIGURATION | PART NUMBER |

THIS DRAWING IS A CONTROLLED DOCUMENT. DIMENSIONING AND TOLERANCING PER ASME Y14.5M-2009.

DIMENSIONS: mm
 TOLERANCES UNLESS OTHERWISE SPECIFIED:
 0 PLC ±0.10
 1 PLC ±0.10
 2 PLC ±0.10
 3 PLC ±0.10
 4 PLC ±0.10
 ANGLES FINISH ±°

MATERIAL: SEE NOTES
 FINISH: SEE NOTES

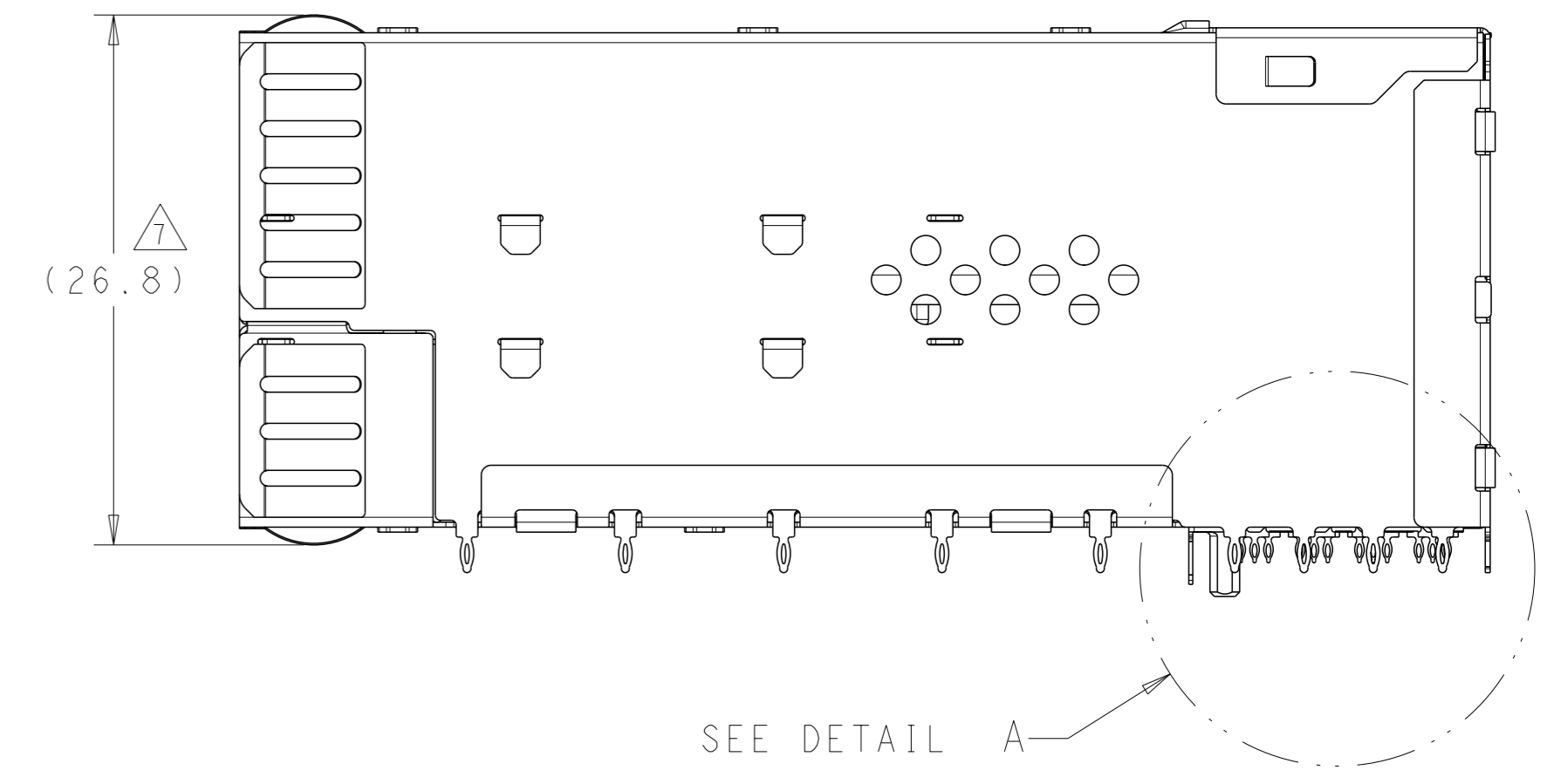
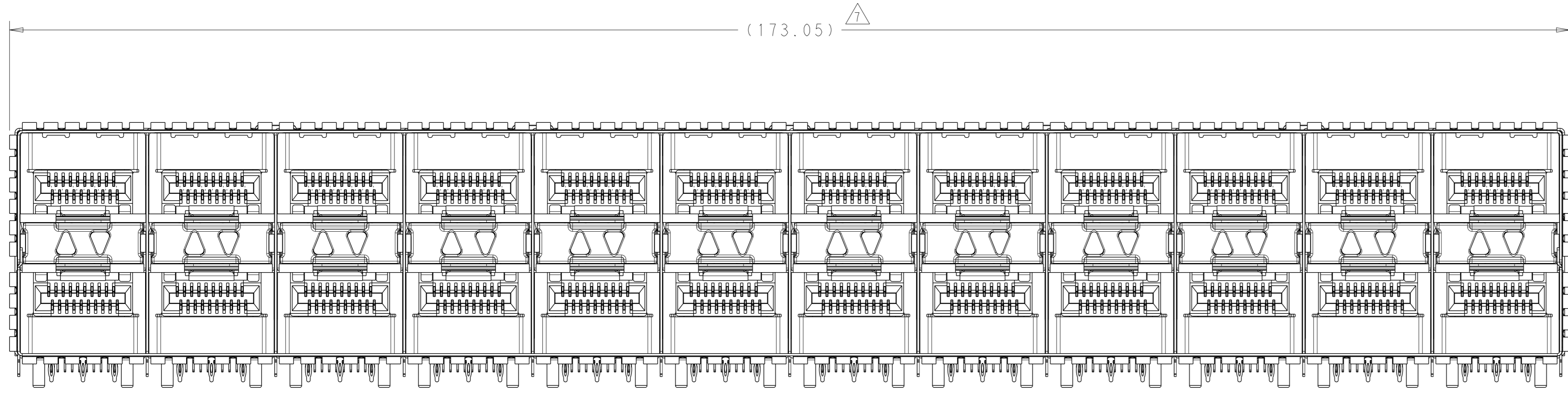
CUSTOMER DRAWING
 SCALE 2:1 SHEET 1 OF 5 REV B

OWN: M. SHIRK 26 JAN 2015
 CHK: P. BECCE 26 JAN 2015
 APVD: -
 NAME: RECEPTACLE ASSEMBLY, 2X12, STACKED, zSFP+
 PRODUCT SPEC: 108-2431
 APPLICATION SPEC: 114-13319
 SIZE: A1
 CAGE CODE: 00779
 DRAWING NO: C=2288172
 RESTRICTED TO: -

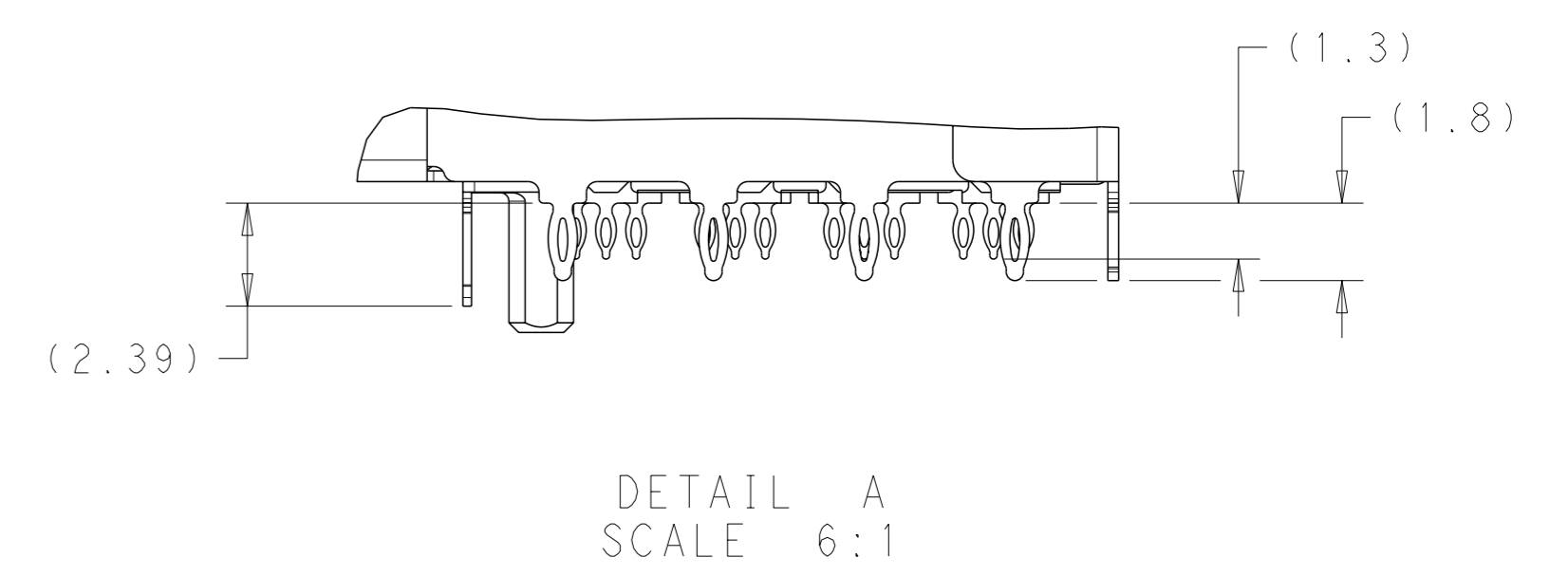
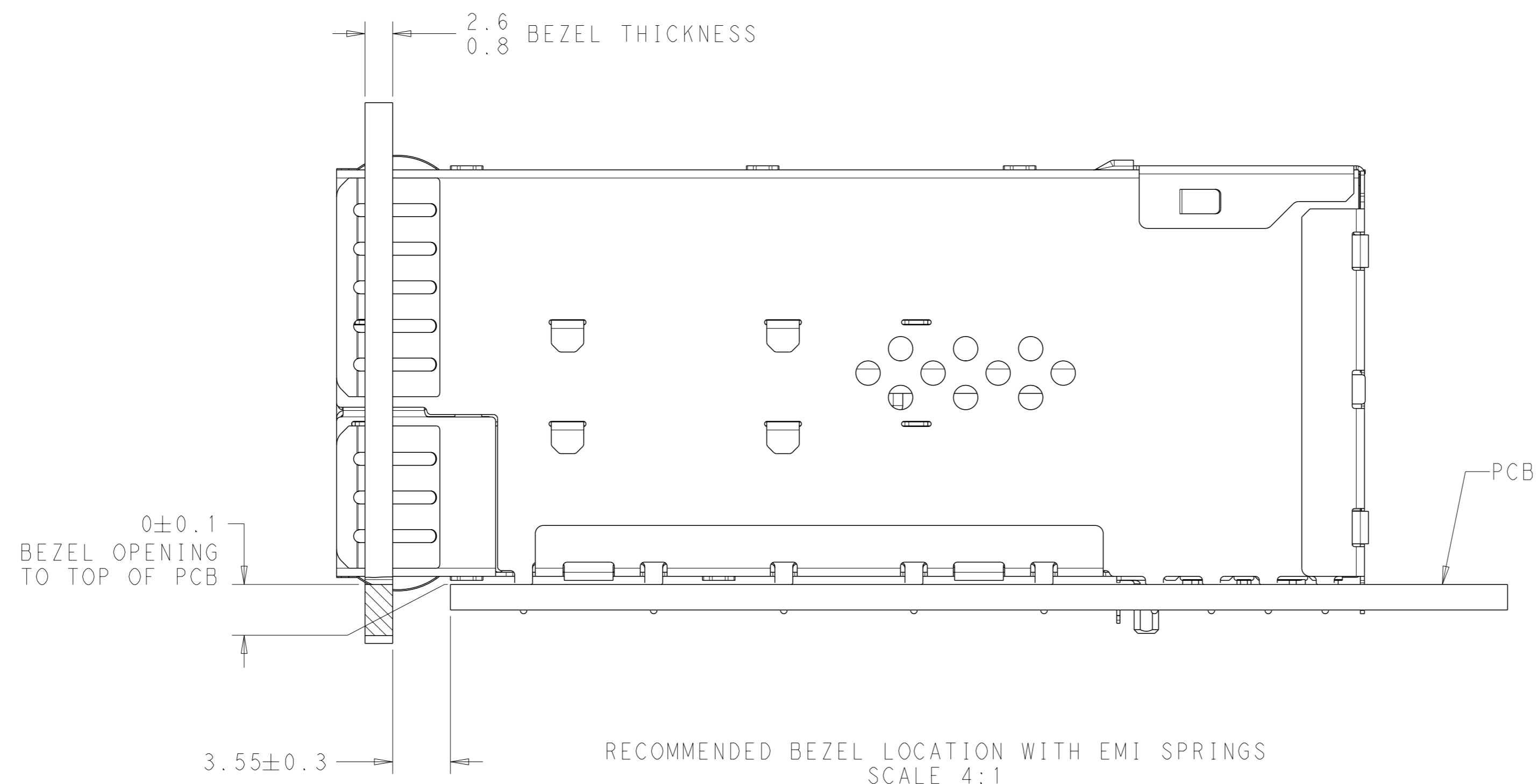
STE TE Connectivity

Printed on 16 Aug 2022 08:57:57 China Standard Time from F0086105

| LOC | DIST | REVISIONS | | | | | |
|-----|------|-----------|-----|-------------|------|-----|------|
| GP | 00 | P | LYR | DESCRIPTION | DATE | DWN | APVD |
| | | - | | SEE SHEET 1 | - | - | - |



2288172-7
 EMI SPRINGS ONLY
 SCALE 3:1



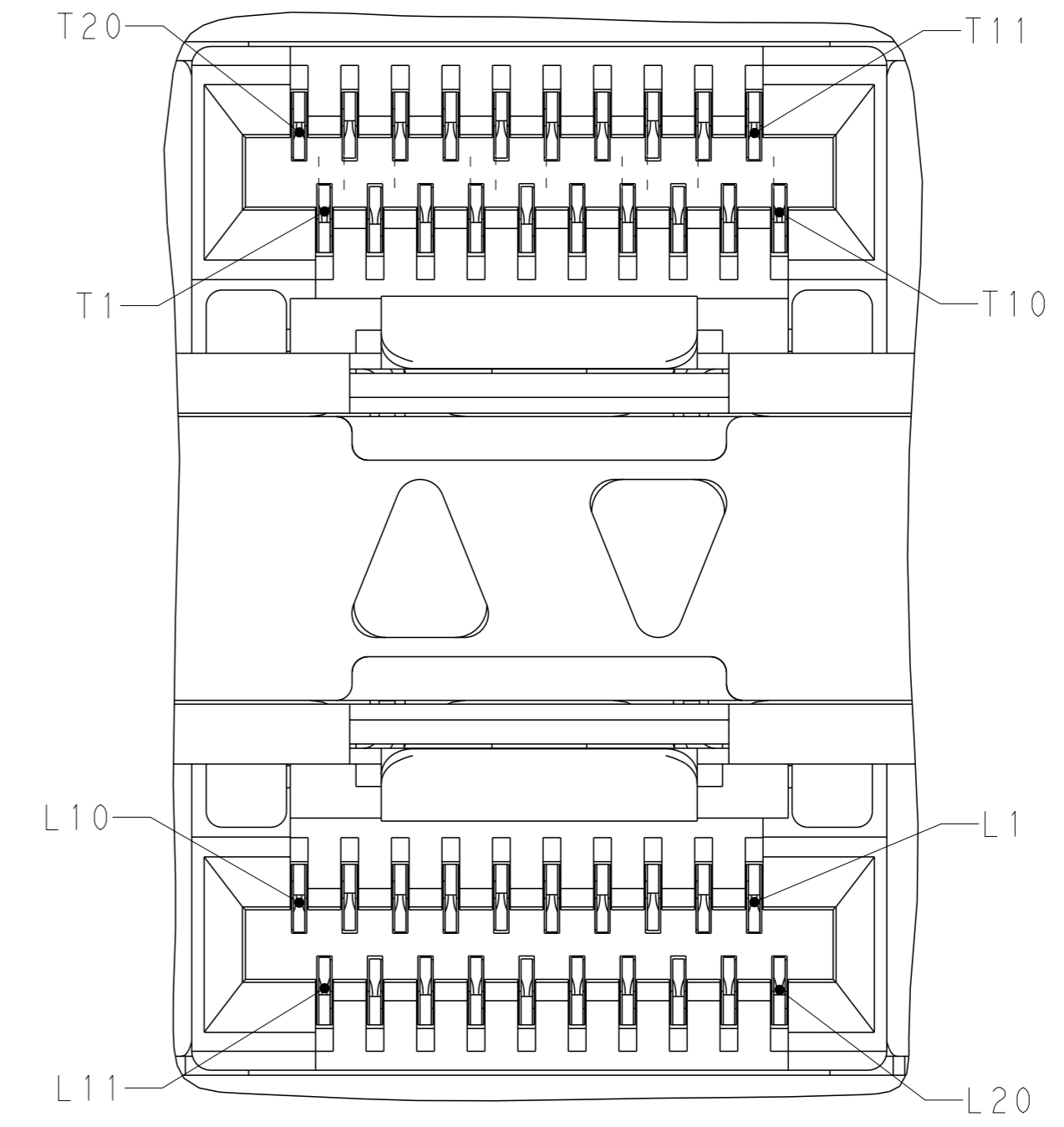
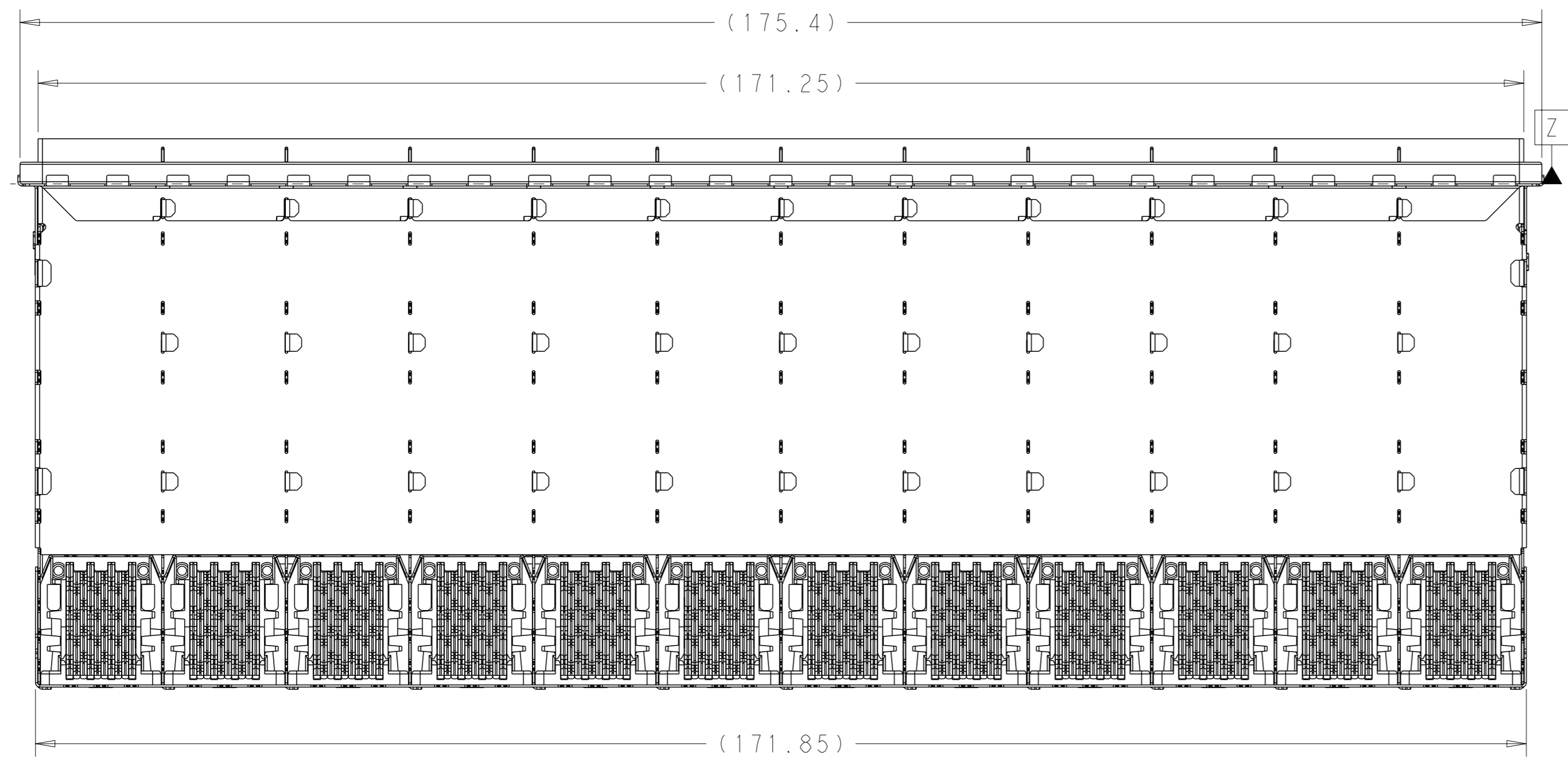
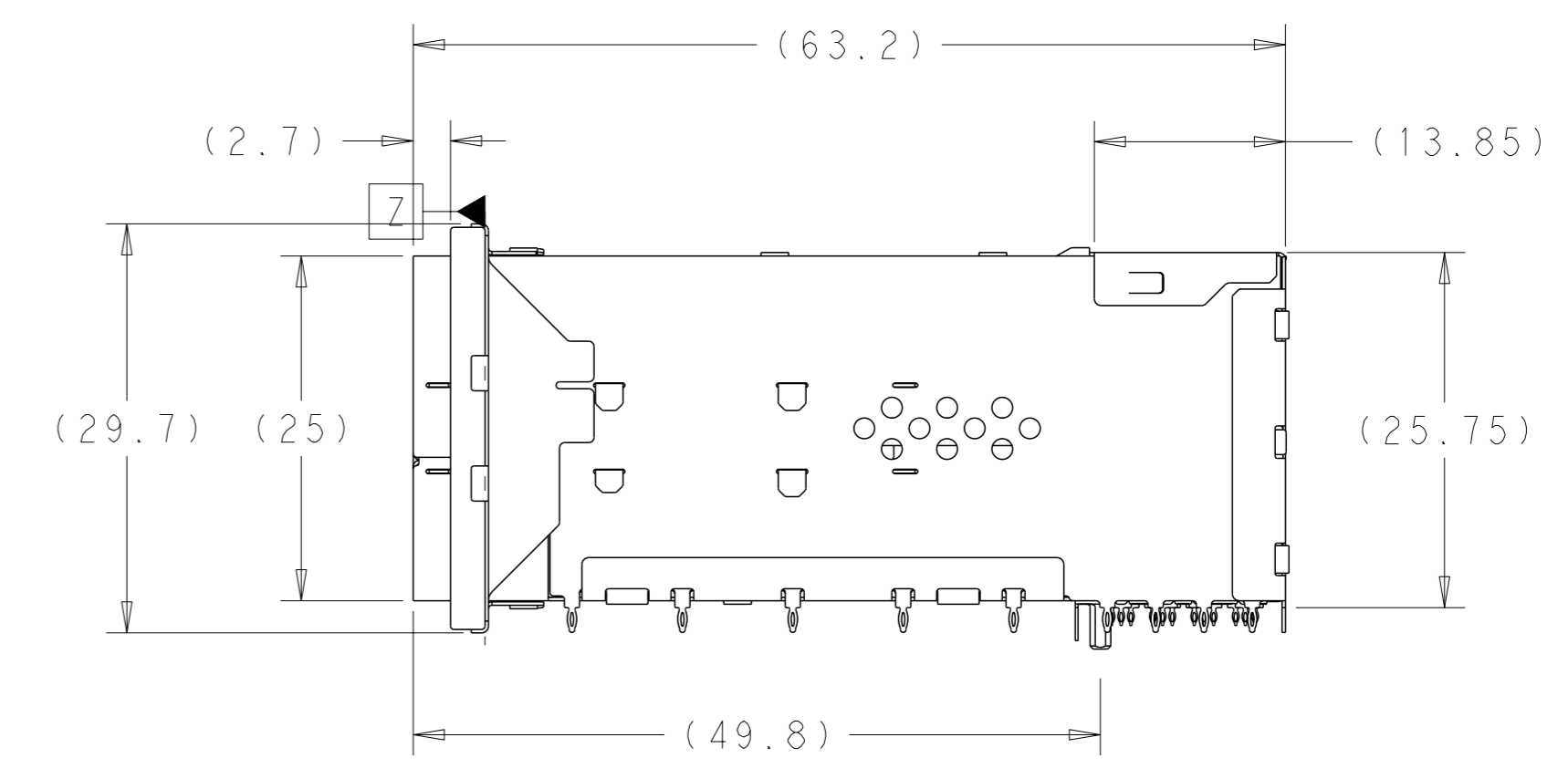
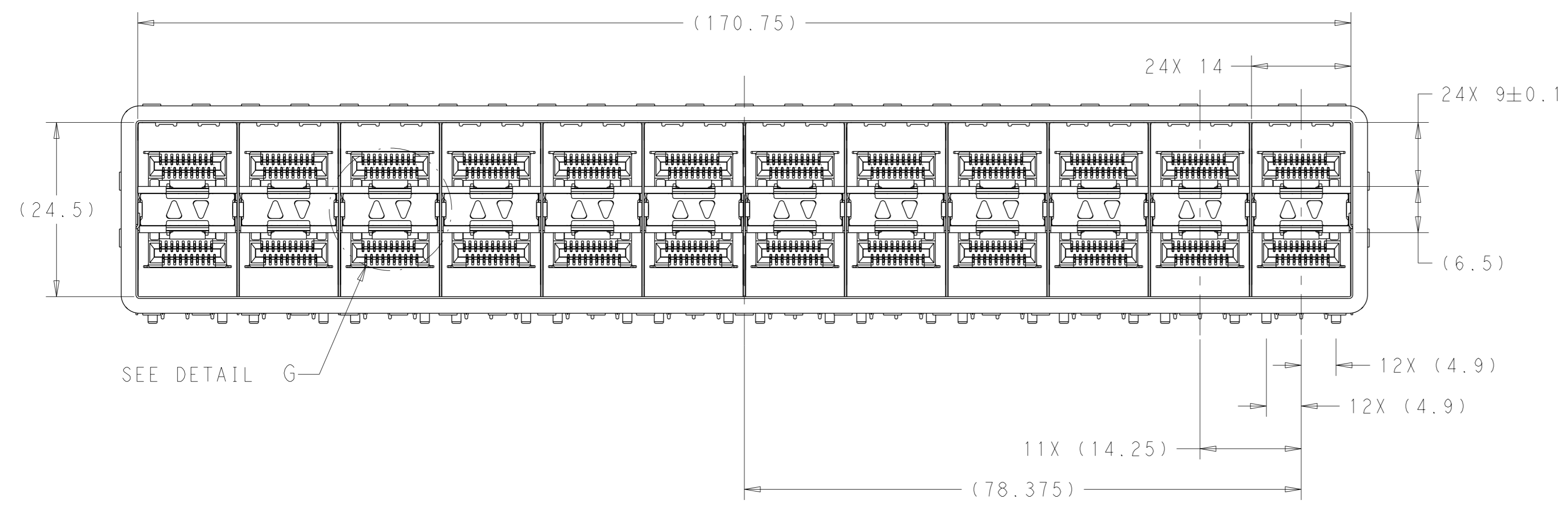
DETAIL A
 SCALE 6:1

| | | | | |
|--|--|--------------------------------|------------------------------|--|
| THIS DRAWING IS A CONTROLLED DOCUMENT. | | DWN M. SHIRK 26 JAN 2015 | TE Connectivity | |
| DIMENSIONS: | | CHK P. BECCE 26 JAN 2015 | NAME | |
| TOLERANCES UNLESS OTHERWISE SPECIFIED: | | APVD | PRODUCT SPEC | |
| mm | | | 108-2431 | |
| 0 PLC ±0.10 | | | APPLICATION SPEC | |
| 1 PLC ±0.10 | | | 114-13319 | |
| 2 PLC ±0.10 | | | WEIGHT | |
| 3 PLC ±0.10 | | | A100779C=2288172 | |
| 4 PLC ± | | | SCALE 2:1 SHEET 2 OF 5 REV B | |
| ANGLES FINISH | | | CUSTOMER DRAWING | |
| SEE NOTES | | SEE NOTES | | |

Printed on 16 Aug 2022 08:57:57 China Standard Time from F0086105

THIS DRAWING IS UNPUBLISHED. RELEASED FOR PUBLICATION 20
 COPYRIGHT 20 BY TYCO ELECTRONICS ALL RIGHTS RESERVED.

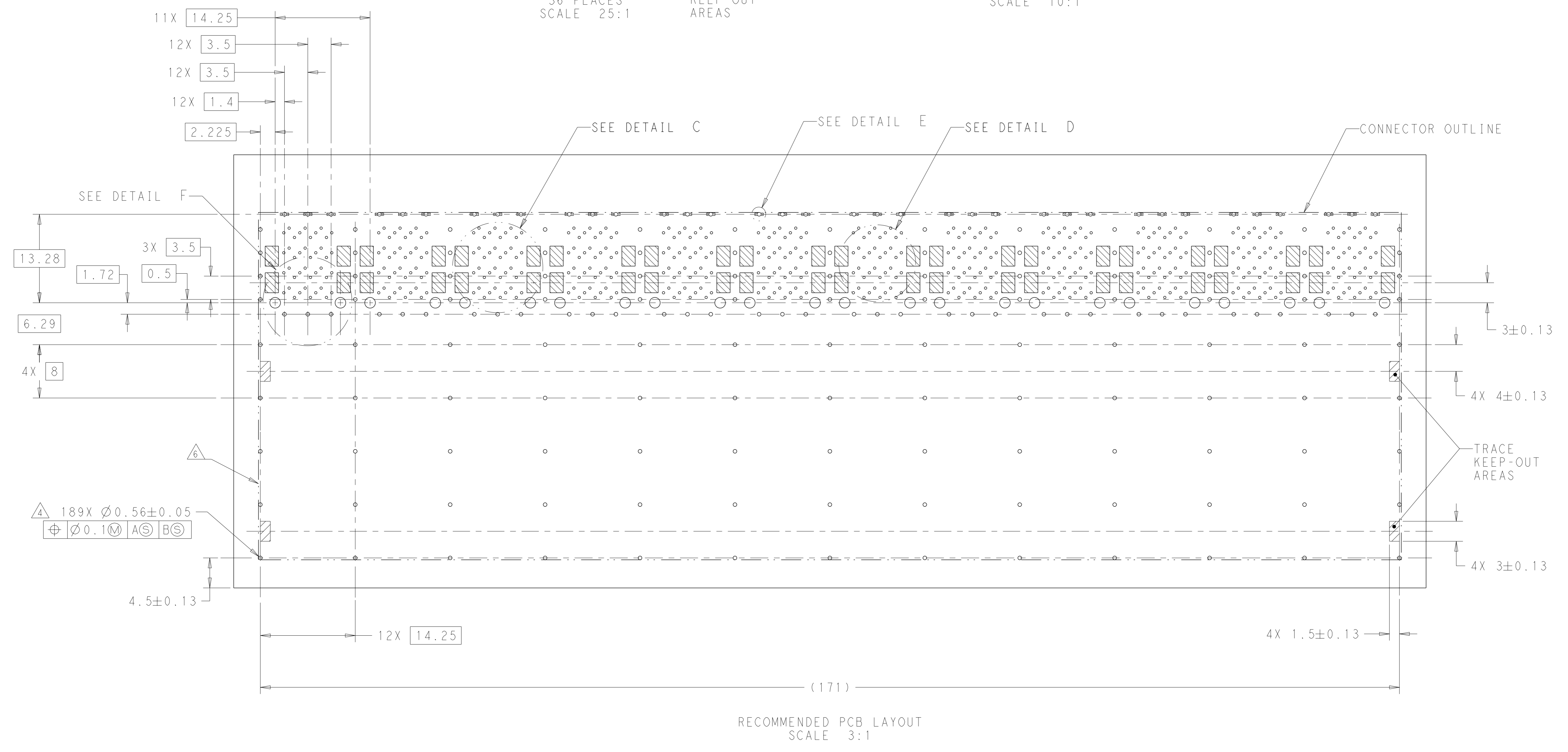
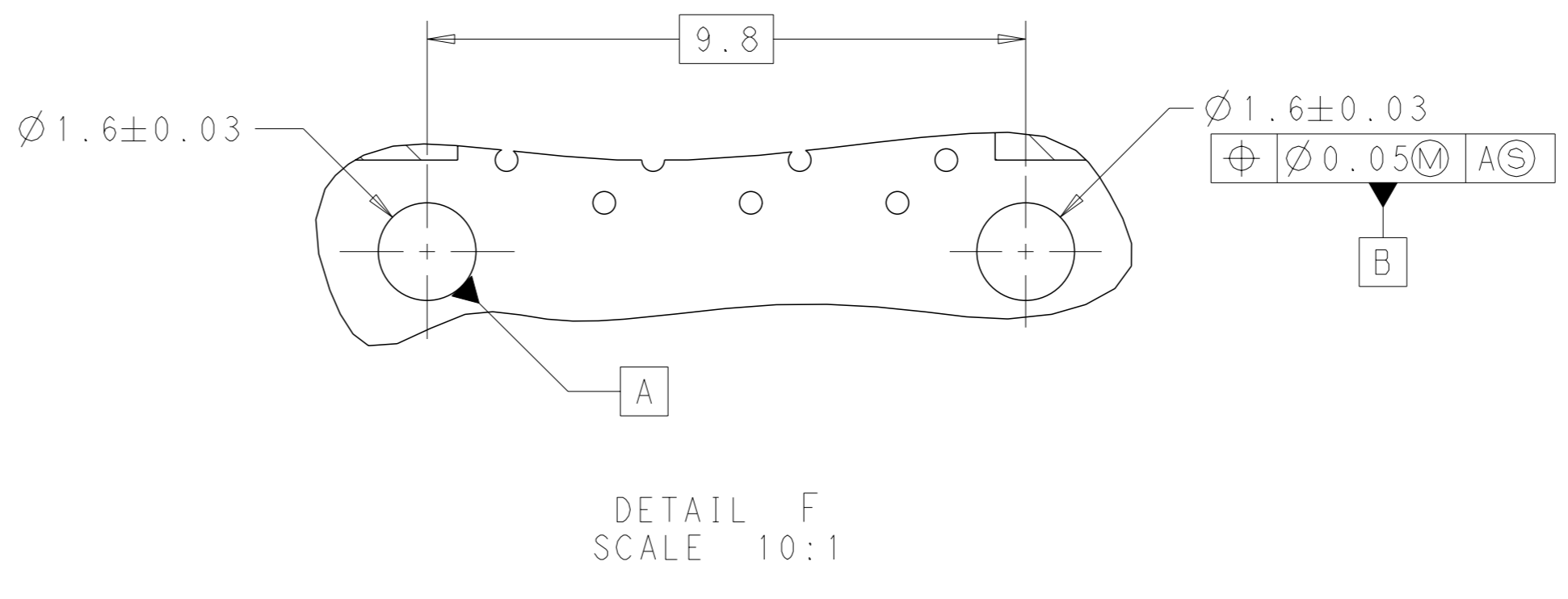
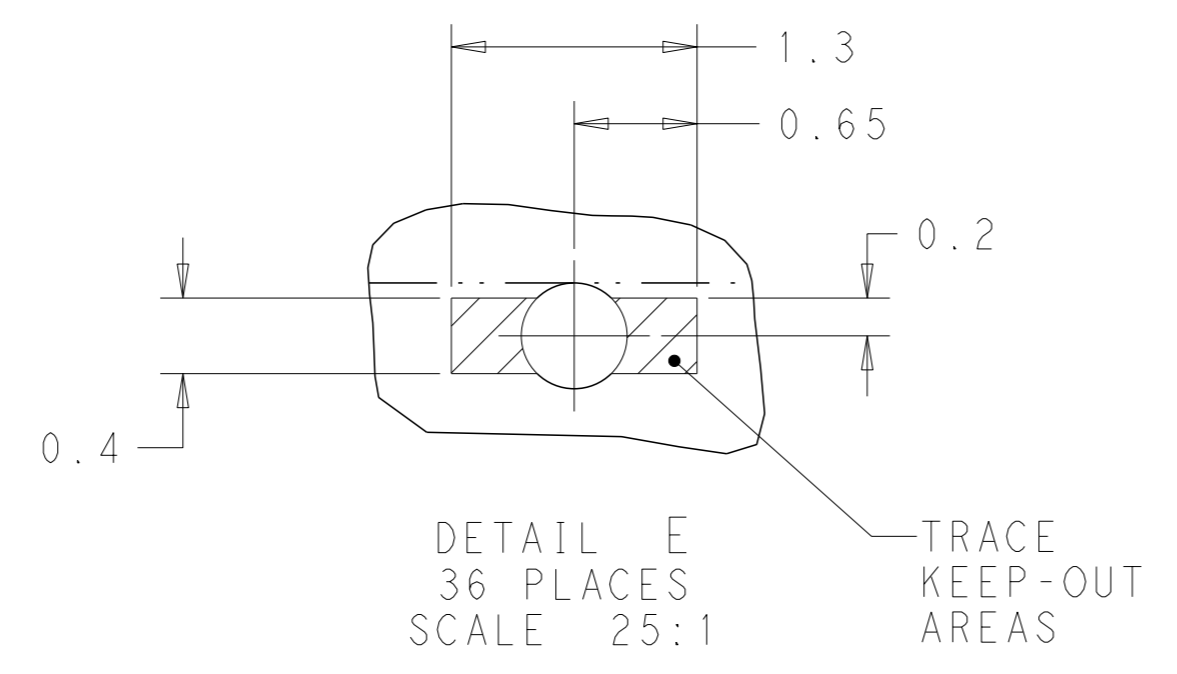
| LOC | | DIST | | REVISIONS | | | |
|-----|----|------|-----|-------------|------|-----|------|
| GP | 00 | P | LYR | DESCRIPTION | DATE | OWN | APVD |
| | | - | | SEE SHEET 1 | - | - | - |



| | | | |
|---|--|--|---|
| THIS DRAWING IS A CONTROLLED DOCUMENT. DIMENSIONING AND TOLERANCING PER ASME Y14.5M-2009. | | OWN: M. SHIRK 26 JAN 2015 CHK: P. BECCE 26 JAN 2015 | TE Connectivity RECEPTACLE ASSEMBLY, 2X12, STACKED, zSFP+ |
| DIMENSIONS: mm | TOLERANCES UNLESS OTHERWISE SPECIFIED: 0 PLC ±0.10 1 PLC ±0.10 2 PLC ±0.10 3 PLC ±0.10 4 PLC ± ANGLES FINISH | APVD: - PRODUCT SPEC: 108-2431 APPLICATION SPEC: 114-13319 | |
| MATERIAL: SEE NOTES | FINISH: SEE NOTES | WEIGHT: - CUSTOMER DRAWING | SIZE: A1 CAGE CODE: 100779 DRAWING NO: C=2288172 RESTRICTED TO: - SCALE: 2:1 SHEET 3 OF 5 REV B |

printed on 16 Aug 2022 08:57:57 China Standard Time) from F0086105

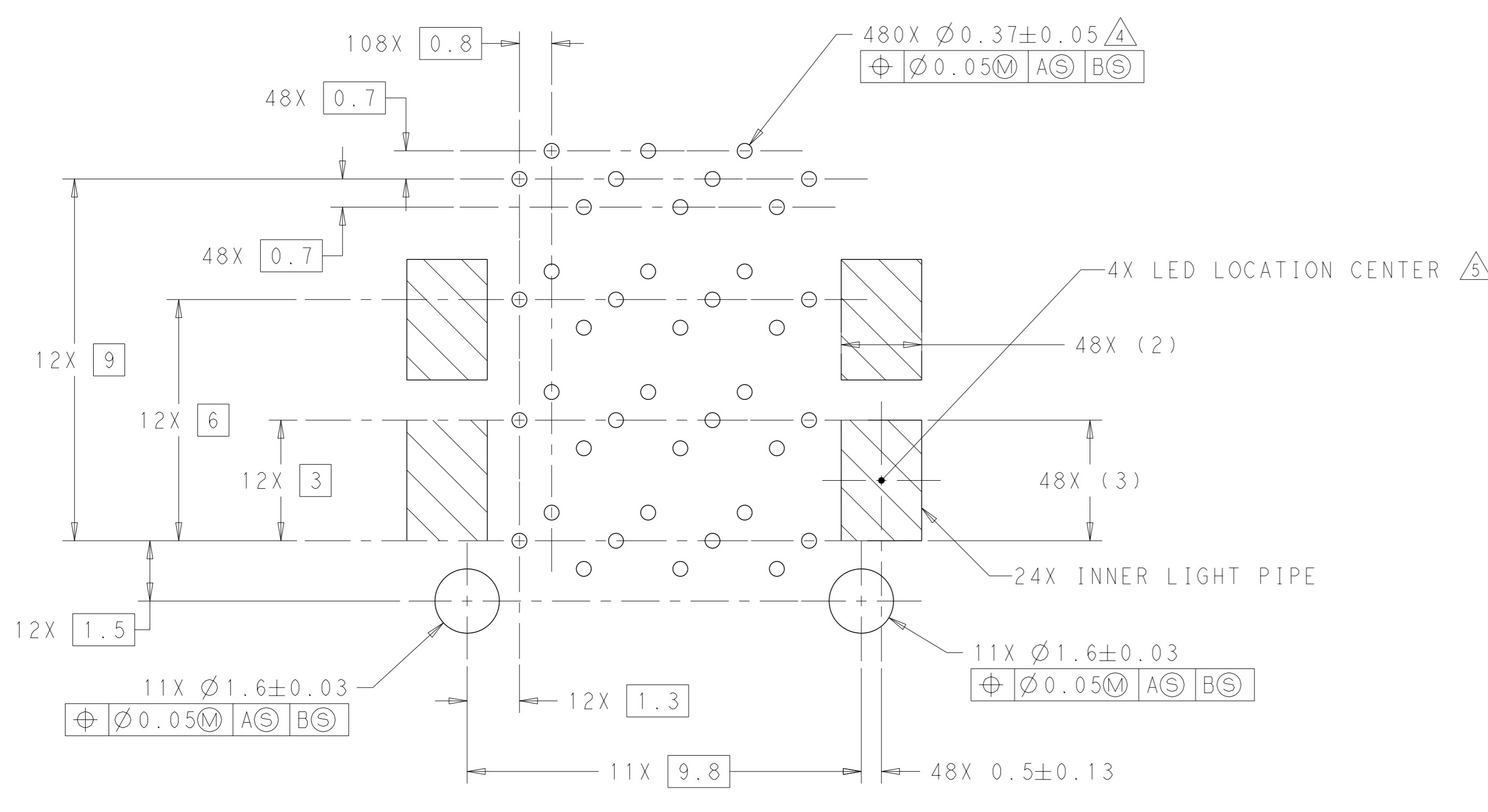
| LOC | DIST | REVISIONS | | | |
|-----|------|-----------|-------------|-----|------|
| GP | 00 | REV | DATE | OWN | APVD |
| | | - | SEE SHEET 1 | - | - |



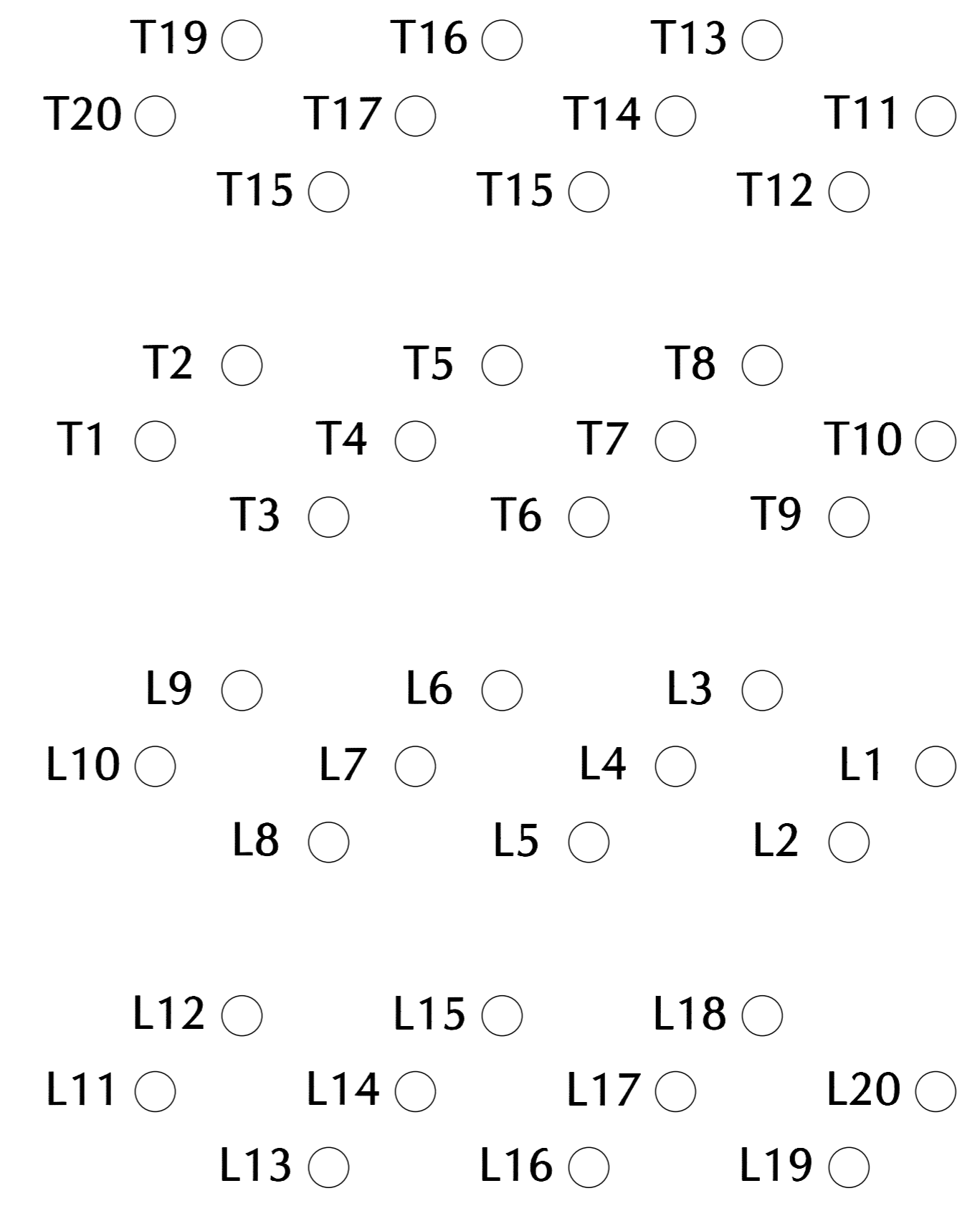
| | | | |
|---|--|--|---|
| THIS DRAWING IS A CONTROLLED DOCUMENT. DIMENSIONING AND TOLERANCING PER ASME Y14.5M-2009. | | OWN: M. SHIRK 26 JAN 2015 CHK: P. BECCE 26 JAN 2015 APVD: - | NAME: RECEPTACLE ASSEMBLY, 2X12, STACKED, zSFP+ |
| DIMENSIONS: mm | TOLERANCES UNLESS OTHERWISE SPECIFIED: 0 PLC ±0.10 1 PLC ±0.10 2 PLC ±0.10 3 PLC ±0.10 4 PLC ±0.10 ANGLES ±° | PRODUCT SPEC: 108-2431 APPLICATION SPEC: 114-13319 WEIGHT: - | SIZE: A1 CAGE CODE: 00779 DRAWING NO: C=2288172 |
| MATERIAL: SEE NOTES | FINISH: SEE NOTES | CUSTOMER DRAWING | RESTRICTED TO: - |
| | | SCALE: 2:1 | SHEET: 4 OF 5 REV: B |

Printed on 16 Aug 2022 08:57 (China Standard Time) from F0086105

| LOC | DIST | REVISIONS | | | | | |
|-----|------|-----------|-----|-------------|------|-----|------|
| GP | 00 | P | LYR | DESCRIPTION | DATE | OWN | APVD |
| | | - | | SEE SHEET 1 | | | |

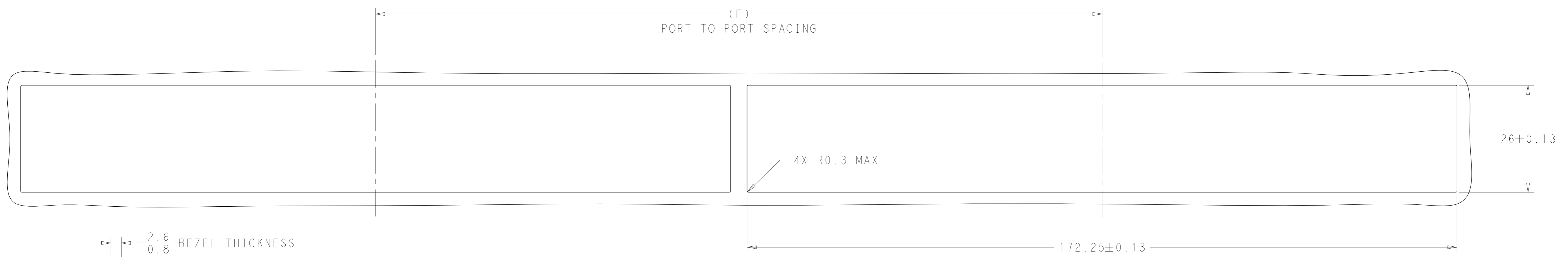


DETAIL C
RECOMMENDED PIN AND LIGHT PIPE LAYOUT
SCALE 10:1

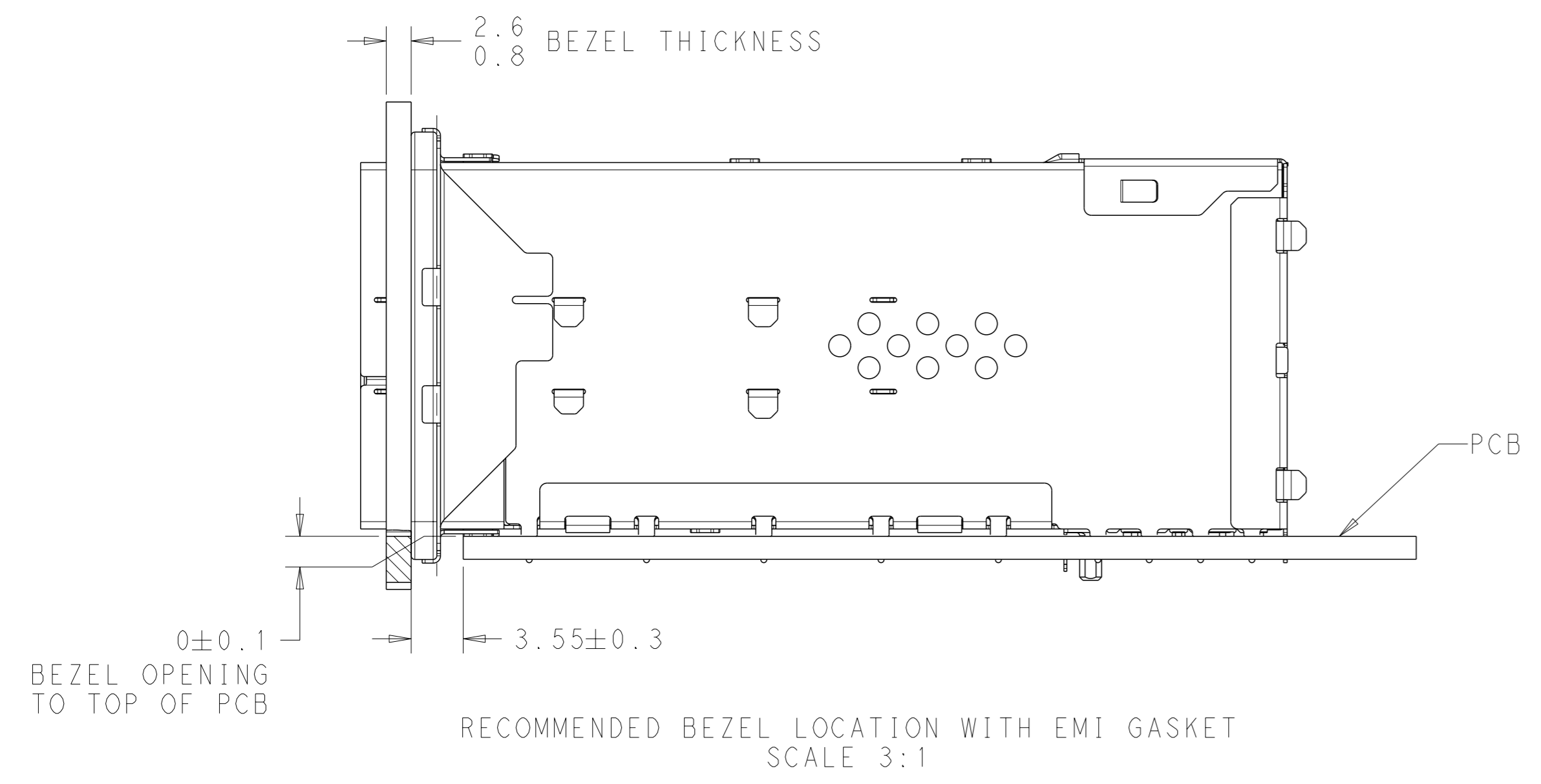


DETAIL D
PIN MAP
12 PLACES
SCALE 20:1

| PIN MAP LEGEND | |
|----------------|------------|
| PIN NUMBER | FUNCTION |
| L1/T1 | VEET |
| L2/T2 | TX-FAULT |
| L3/T3 | TX-DISABLE |
| L4/T4 | SDA |
| L5/T5 | SCL |
| L6/T6 | MOD_ABS |
| L7/T7 | RS0 |
| L8/T8 | RX_LOS |
| L9/T9 | RS1 |
| L10/T10 | VEER |
| L11/T11 | VEER |
| L12/T12 | RD- |
| L13/T13 | RD+ |
| L14/T14 | VEER |
| L15/T15 | VCCR |
| L16/T16 | VCCT |
| L17/T17 | VEET |
| L18/T18 | TD+ |
| L19/T19 | TD- |
| L20/T20 | VEET |



RECOMMENDED BEZEL CUT OUT DETAIL



RECOMMENDED BEZEL LOCATION WITH EMI GASKET
SCALE 3:1

| | | | |
|---|--|--|---|
| THIS DRAWING IS A CONTROLLED DOCUMENT. DIMENSIONING AND TOLERANCING PER ASME Y14.5M-2009. | | OWN: M. SHIRK 26 JAN 2015 CHK: P. BECCE 26 JAN 2015 | TE Connectivity RECEPTACLE ASSEMBLY, 2X12, STACKED, zSFP+ |
| DIMENSIONS: mm | TOLERANCES UNLESS OTHERWISE SPECIFIED: | APVD: - | |
| 0 PLC ±0.10 1 PLC ±0.10 2 PLC ±0.10 3 PLC ±0.10 4 PLC ± | ANGLES FINISH | PRODUCT SPEC: 108-2431 APPLICATION SPEC: 114-13319 | SIZE: A1 CAGE CODE: 00779 DRAWING NO: C=2288172 |
| MATERIAL: SEE NOTES | FINISH: SEE NOTES | WEIGHT: - | RESTRICTED TO: - |
| CUSTOMER DRAWING | | SCALE: 2:1 | SHEET 5 OF 5 REV B |

Printed on 16 Aug 2022 08:57:57 China Standard Time) from F0686105