

丸 形 Round Type

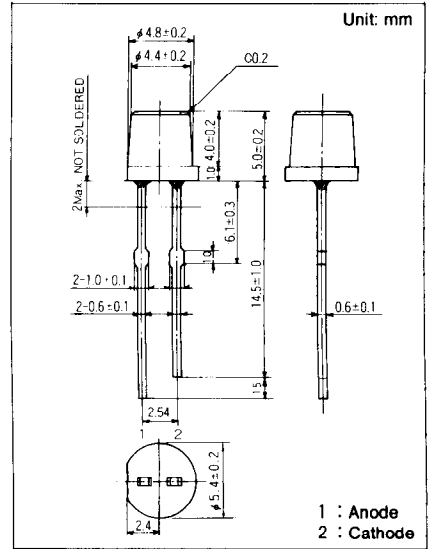
φ 4.4mm Series

Type No.	Lighting Color
LN440YCP	Amber
LN440CP	Amber
LN840RCP	Orange
LN840CP	Orange

絶対最大定格 Absolute Maximum Ratings (Ta=25 °C)

Lighting Color	P _O (mW)	I _F (mA)	I _{FP} (mA)*	V _R (V)	T _{opr} (°C)	T _{etg} (°C)
Amber	90	30	150	4	-25~+85	-30~+100
Orange	90	30	150	3	-25~+85	-30~+100

* I_{FP}の条件は、duty 10%, Pulse width 1 msec. The condition of I_{FP} is duty 10%, Pulse width 1 msec



電気的光学的特性 Electro-Optical Characteristics (Ta=25 °C)

Type No.	Lighting Color	Lens Color	I _O		I _F	V _F		λ _P	Δλ	I _F	I _R	
			Typ.	Min.		Typ.	Max.				Typ.	Max.
LN440YCP	Amber	Amber Clear	5.0	2.0	20	2.2	2.8	590	30	20	10	4
LN440CP	Amber	Clear	5.0	2.0	20	2.2	2.8	590	30	20	10	4
LN840RCP	Orange	Red Clear	6.0	2.5	20	2.1	2.8	630	40	20	10	3
LN840CP	Orange	Clear	6.0	2.5	20	2.1	2.8	630	40	20	10	3
Unit	—	—	mcd	mcd	mA	V	V	nm	nm	mA	μA	V

