

## Features

- 2835 0.7mm SMD LED
- High Brightness
- White package
- High reliability
- Water Clear Lens

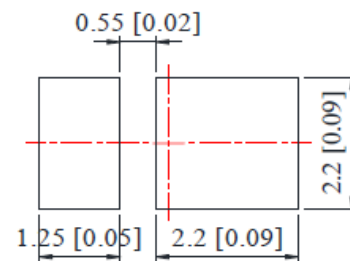
## Applications

- Consumer Electronics
- Wearables
- Automobile After Market
- Industrial Equipment

## Description

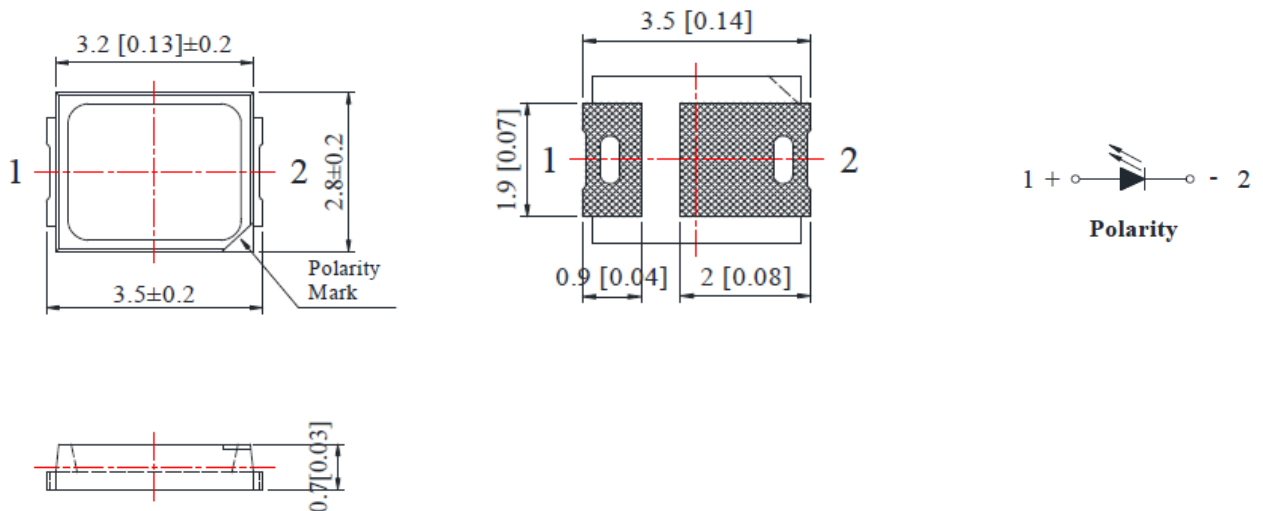
The IN-P23CTUW.70.30 is a 2835 package with versatile design capabilities. It is a PLCC type LED which can be used in various applications.

## Recommended Solder Pattern



**Figure 1. IN-P23CTKUW.70.30 Solder Pattern**

## Package Dimensions in mm



### Notes:

1. All dimensions are in millimeters (inches).
2. Tolerance is  $\pm 0.25$  mm (.010") unless otherwise noted.

**Figure 2. IN-P23CTKUW.70.30 Package Dimensions**

**Absolute Maximum Rating at 25°C** (Note 1)

Product	Emission Color	P <sub>d</sub> (mW)	I <sub>F</sub> (mA)	I <sub>FP</sub> * (mA)	V <sub>R</sub> (V)	T <sub>OP</sub> (°C)	T <sub>ST</sub> (°C)
IN-P23CTKUW.70.30	White	0.5	150	200	5	-40°C~+80°C	-40°C~+85°C

**Notes**

1. Derate linearly as shown in derating curve.
2. Duty Factor = 10%, Frequency = 1 kHz

**Electrical Characteristics** *T<sub>A</sub> = 25°C* (Note 1)

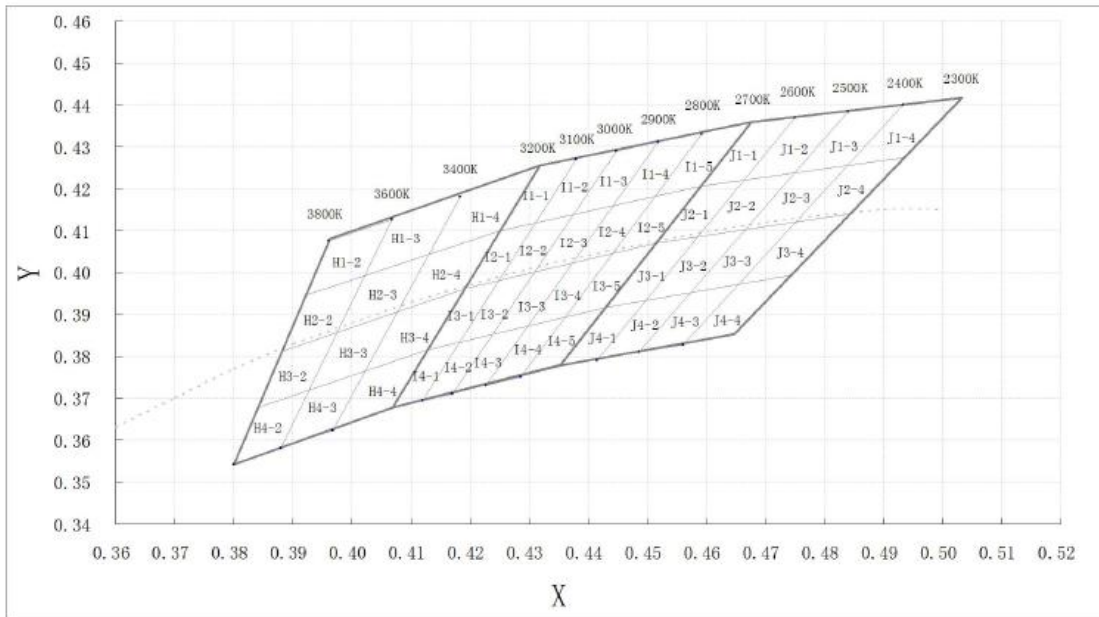
Parameters	Symbol	Min.	Typ.	Max.	Unit	Test Condition
Luminous Flux	IV	50	---	60	lm	IF=150mA
Viewing Angle	2θ1/2	---	120	---	Deg	IF=150mA
Chromaticity Coordinates	Cx/Cy	---	0.43/0.40	---	-	IF=150mA
Color Temperature	CCT	2600	3000	3800	K	IF=150mA
Color Rendering Index	CRI	70	---	---	Ra	IF=150mA
Forward Voltage	VF	2.8	3.2	3.6	V	IF=150mA
Reverse Current	I <sub>R</sub>	---	---	10	μA	V <sub>R</sub> =5V

**Notes**

1. Luminous intensity is measured with a light sensor and filter combination that approximates the CIE eye-response curve.
2. 2θ1/2 is the  $\theta$ -axis angle where the luminous intensity is 1/2 the peak intensity
3. The dominant wavelength ( $\lambda_d$ ) is derived from the CIE chromaticity diagram and represents the single wavelength which defines the color of the device.

**Chromaticity Bin : Typ. CCT 3000K**
**Chromaticity Coordinates Specifications for Bin Rank:**

Bin Code	Left x	Left y	Top x	Top y	Right x	Right y	Bottom x	Bottom y
H1-2	0.392	0.394	0.402	0.399	0.407	0.413	0.396	0.408
H2-2	0.388	0.381	0.397	0.386	0.402	0.399	0.392	0.394
H3-2	0.384	0.367	0.393	0.372	0.397	0.386	0.388	0.381
H4-2	0.380	0.354	0.388	0.358	0.393	0.372	0.384	0.367
H1-3	0.402	0.399	0.412	0.403	0.418	0.419	0.407	0.413
H2-3	0.397	0.386	0.407	0.390	0.412	0.403	0.402	0.399
H3-3	0.393	0.372	0.402	0.376	0.407	0.390	0.397	0.386
H4-3	0.388	0.358	0.397	0.362	0.402	0.376	0.393	0.372
H1-4	0.412	0.403	0.425	0.410	0.432	0.426	0.418	0.419
H2-4	0.407	0.390	0.419	0.396	0.425	0.410	0.412	0.403
H3-4	0.402	0.376	0.413	0.382	0.419	0.396	0.407	0.390
H4-4	0.397	0.362	0.407	0.368	0.413	0.382	0.402	0.376
I1-1	0.425	0.410	0.431	0.412	0.438	0.428	0.432	0.426
I2-1	0.419	0.396	0.424	0.398	0.431	0.412	0.425	0.410
I3-1	0.413	0.382	0.418	0.384	0.424	0.398	0.419	0.396
I4-1	0.407	0.368	0.412	0.370	0.418	0.384	0.413	0.382
I1-2	0.431	0.412	0.437	0.414	0.445	0.430	0.438	0.428
I2-2	0.424	0.398	0.430	0.400	0.437	0.414	0.431	0.412
I3-2	0.418	0.384	0.423	0.385	0.430	0.400	0.424	0.398
I4-2	0.412	0.370	0.417	0.372	0.423	0.385	0.418	0.384
I1-3	0.437	0.414	0.444	0.416	0.452	0.432	0.445	0.430
I2-3	0.430	0.400	0.437	0.402	0.444	0.416	0.437	0.414
I3-3	0.423	0.385	0.430	0.387	0.437	0.402	0.430	0.400
I4-3	0.417	0.372	0.423	0.374	0.430	0.387	0.423	0.385
I1-4	0.444	0.416	0.451	0.418	0.459	0.434	0.452	0.432
I2-4	0.437	0.402	0.444	0.404	0.451	0.418	0.444	0.416
I3-4	0.430	0.387	0.436	0.389	0.444	0.404	0.437	0.402
I4-4	0.423	0.374	0.429	0.376	0.436	0.389	0.430	0.387
I1-5	0.451	0.418	0.460	0.421	0.468	0.436	0.459	0.434
I2-5	0.444	0.404	0.452	0.407	0.460	0.421	0.451	0.418
I3-5	0.436	0.389	0.444	0.392	0.452	0.407	0.444	0.404
I4-5	0.429	0.376	0.436	0.378	0.444	0.392	0.436	0.389
J1-1	0.460	0.421	0.466	0.422	0.475	0.437	0.468	0.436
J2-1	0.452	0.407	0.458	0.408	0.466	0.422	0.460	0.421
J3-1	0.444	0.392	0.449	0.393	0.458	0.408	0.452	0.407
J4-1	0.436	0.378	0.441	0.379	0.449	0.393	0.444	0.392
J1-2	0.466	0.422	0.475	0.424	0.484	0.439	0.475	0.437
J2-2	0.458	0.408	0.467	0.410	0.475	0.424	0.466	0.422
J3-2	0.449	0.393	0.458	0.395	0.467	0.410	0.458	0.408
J4-2	0.441	0.379	0.449	0.381	0.458	0.395	0.449	0.393
J1-3	0.475	0.424	0.483	0.425	0.493	0.440	0.484	0.439
J2-3	0.467	0.410	0.475	0.412	0.483	0.425	0.475	0.424
J3-3	0.458	0.395	0.465	0.397	0.475	0.412	0.467	0.410
J4-3	0.449	0.381	0.456	0.383	0.465	0.397	0.458	0.395
J1-4	0.483	0.425	0.493	0.427	0.503	0.442	0.493	0.440
J2-4	0.475	0.412	0.484	0.414	0.493	0.427	0.483	0.425
J3-4	0.465	0.397	0.474	0.399	0.484	0.414	0.475	0.412
J4-4	0.456	0.383	0.465	0.385	0.474	0.399	0.465	0.397



## ESD Precaution

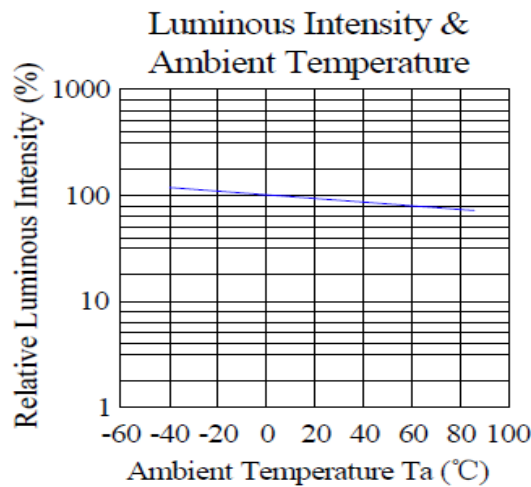
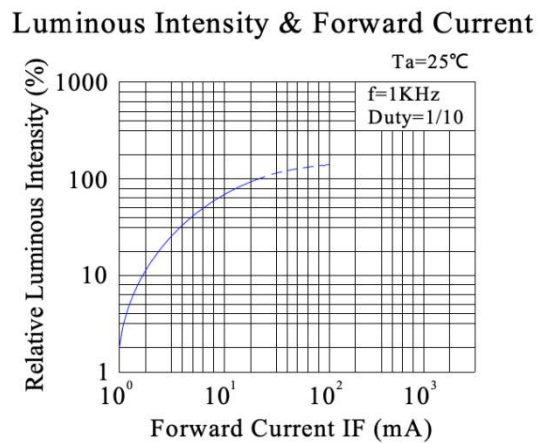
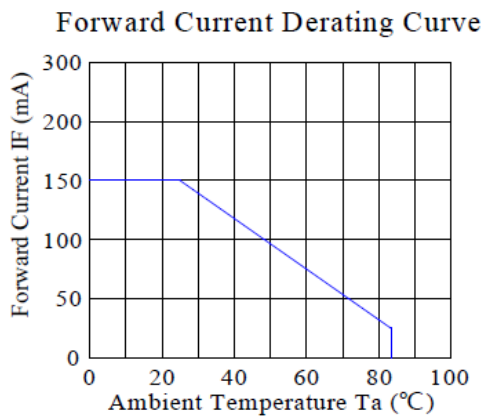
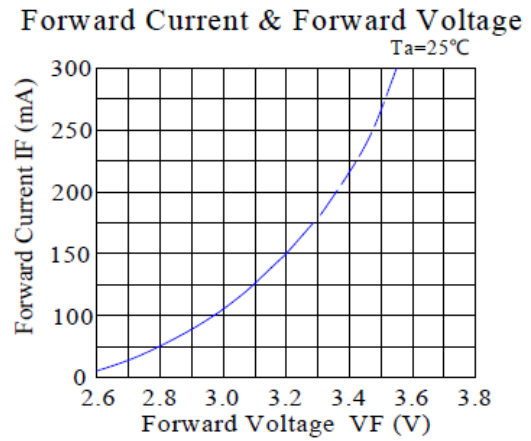
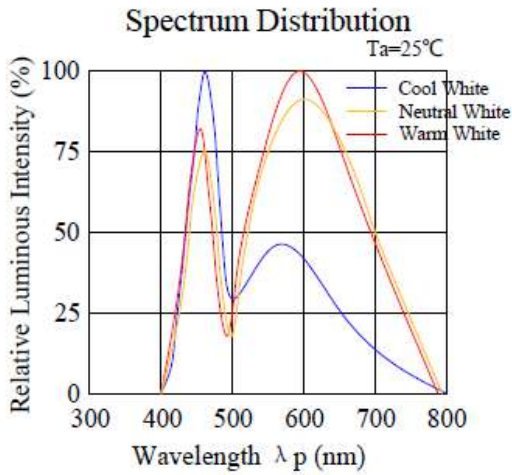
ATTENTION: Electrostatic Discharge (ESD) protection



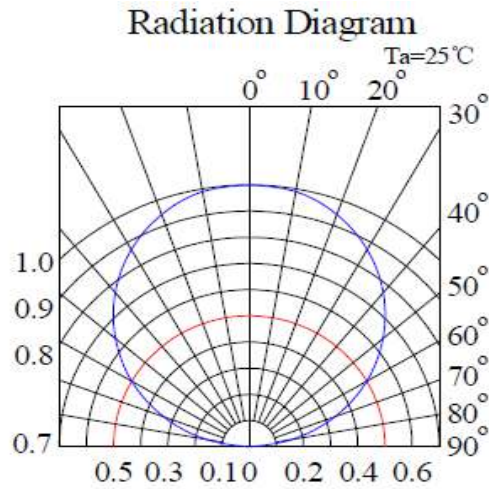
The symbol above denotes that ESD precaution is needed. ESD protection for GaP and AlGaAs based chips is necessary even though they are relatively safe in the presence of low static-electric discharge. Parts built with AlInGaP, GaN, or/and InGaN based chips are STATIC SENSITIVE devices. ESD precaution must be taken during design and assembly. If manual work or processing is needed, please ensure the device is adequately protected from ESD during the process.

Please be advised that normal static precautions should be taken in the handling and assembly of this device to prevent damage or degradation which may be induced by electrostatic discharge (ESD).

## Typical Characteristic Curves



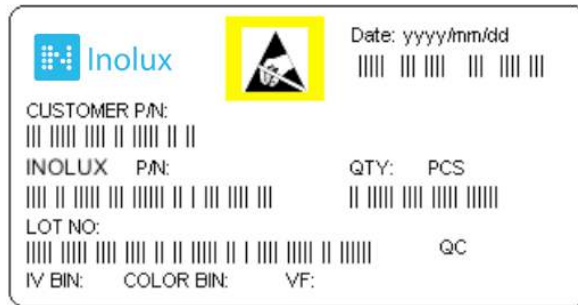
### Typical Characteristic Curves – Radiation Pattern



### Ordering Information

Product	Emission Color	Test Current $I_F$ (mA)	Luminous Flux $I_V$ (lm) (Typ.)	Forward Voltage $V_F$ (V) (Typ.)	Orderable Part Number
IN-P23CTKUW.70.30	White	150	51	3.2	IN-P23CTKUW.70.30

### Label Specifications



### Inolux P/N:

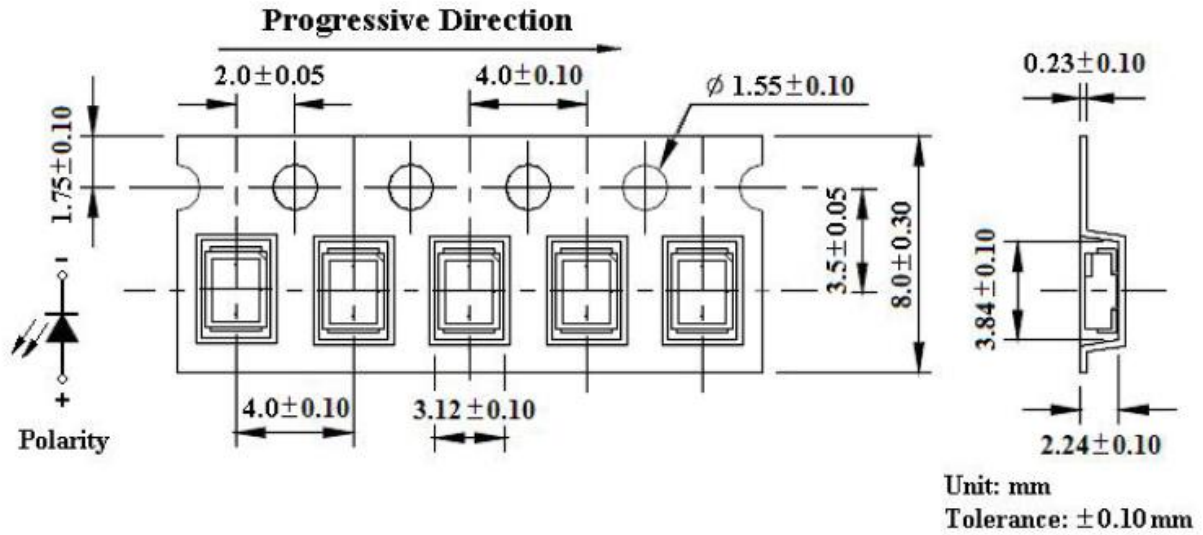
I	N	-	P	2	3	C	T	K	U	W	.	70	.	30	-	X	X	X	X
			Material	Package	Variation	Orientation	Current	Lens	Color	.	CRI	.	CCT	-	Customized Stamp-off				
Inolux SMD			P = PLCC Type	23C=PLCC2 2835 Slug		T = Top Mount	K=150mA	U = Diffused	W= White	.	70=CRI70	.	30=3000K						

### Lot No.:

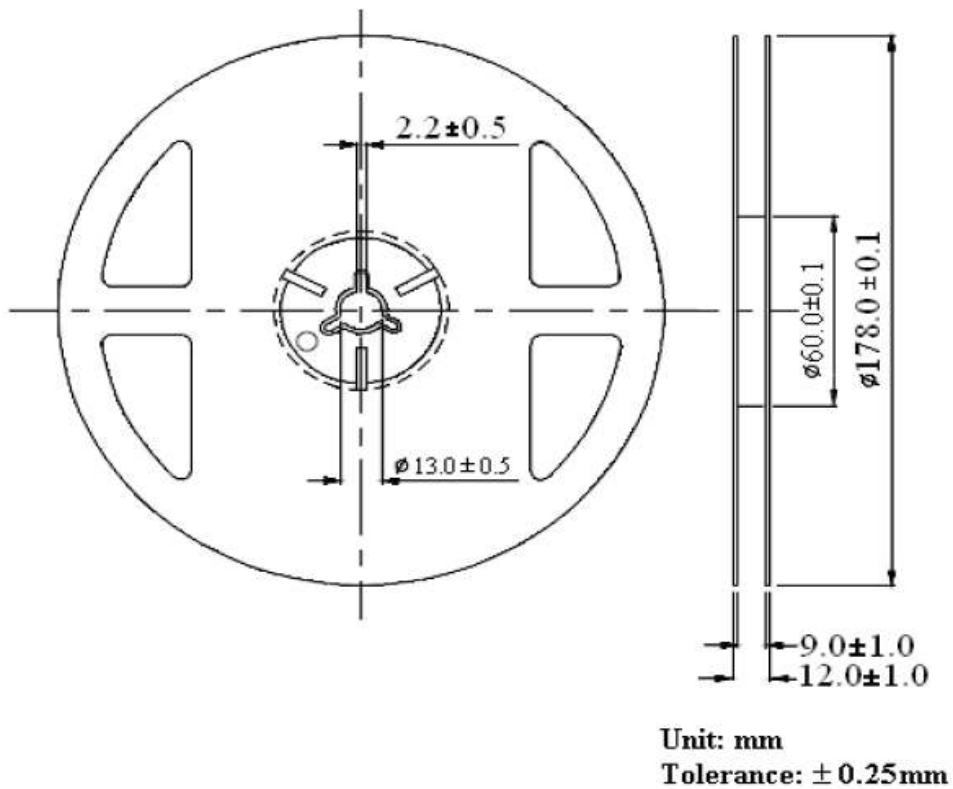
Z	2	0	1	8	01	24	001
Internal Tracker	Year (2018, 2019, .....)				Month	Date	Serial

**Packaging Information: 4000pcs Per Reel**

**Tape Dimension**

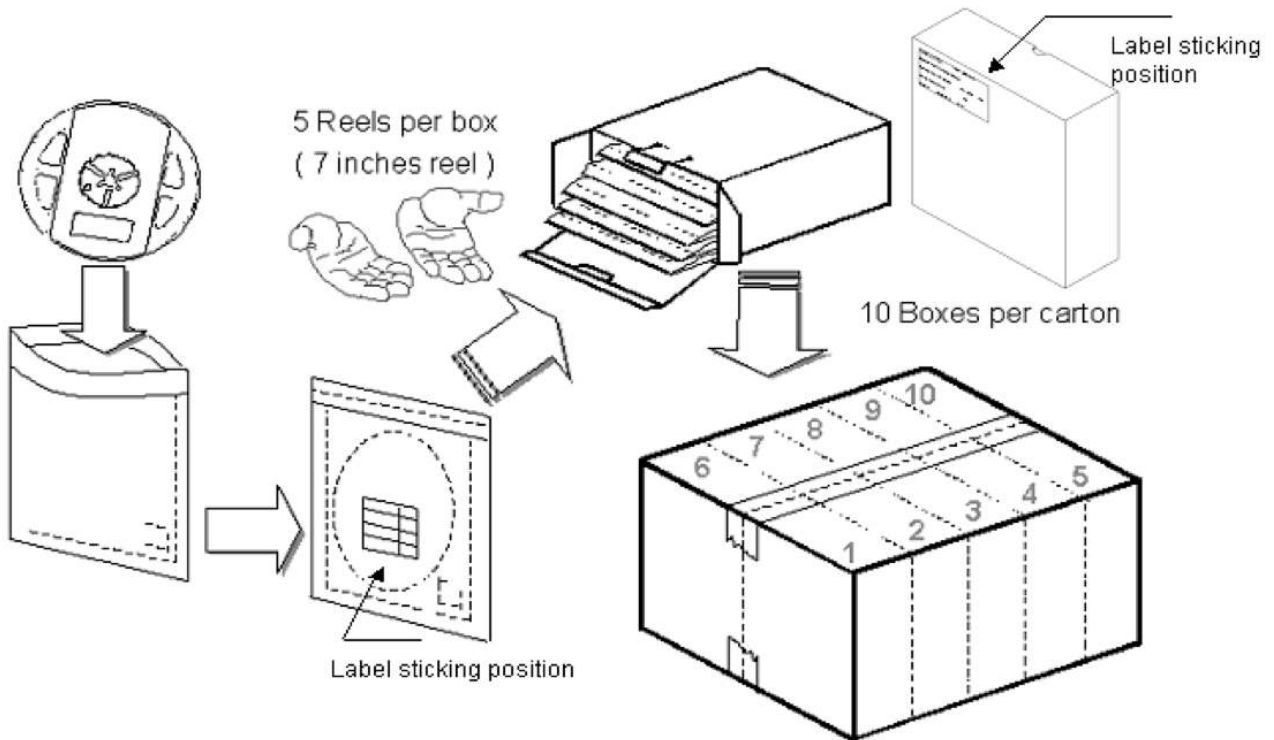


**Reel Dimension**



**Packing Dimension**





5 boxes per carton are available depending on shipment quantity.

	Specification	Material	Quantity
Carrier tape	Per EIA 481-1A specs	Conductive black tape	4000pcs per reel
Reel	Per EIA 481-1A specs	Conductive black	
Label	IN standard	Paper	
Packing bag	220x240mm	Aluminum laminated bag/ no-zipper	One reel per bag
Carton	IN standard	Paper	Non-specified

**Others:**

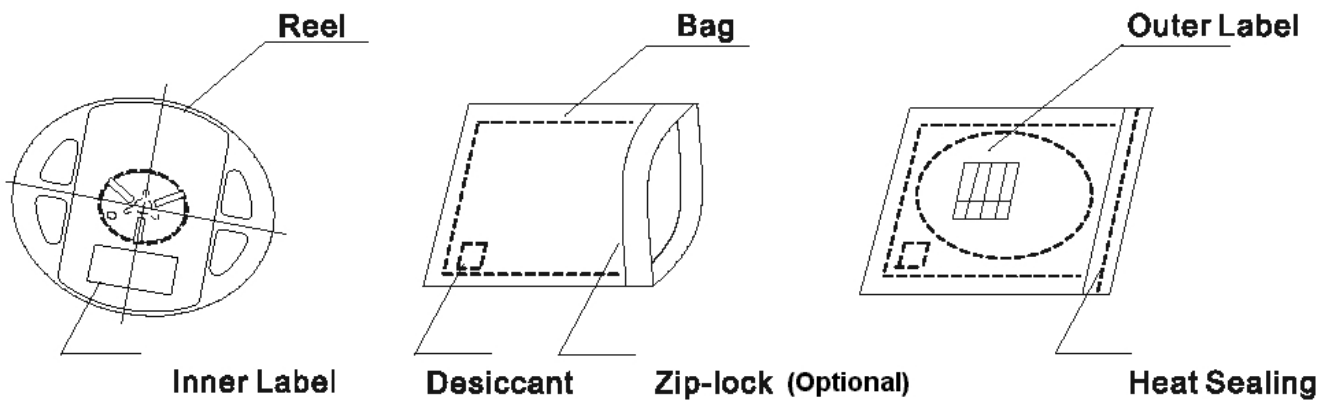
Each immediate box consists of 5 reels. The 5 reels may not necessarily have the same lot number or the same bin combinations of  $I_v$ ,  $\lambda_D$  and  $V_f$ . Each reel has a label identifying its specification; the immediate box consists of a product label as well.

## Dry Pack

All SMD optical devices are **MOISTURE SENSITIVE**. Avoid exposure to moisture at all times during transportation or storage. Every reel is packaged in a moisture protected anti-static bag. Each bag is properly sealed prior to shipment.

Upon request, a humidity indicator will be included in the moisture protected anti-static bag prior to shipment.

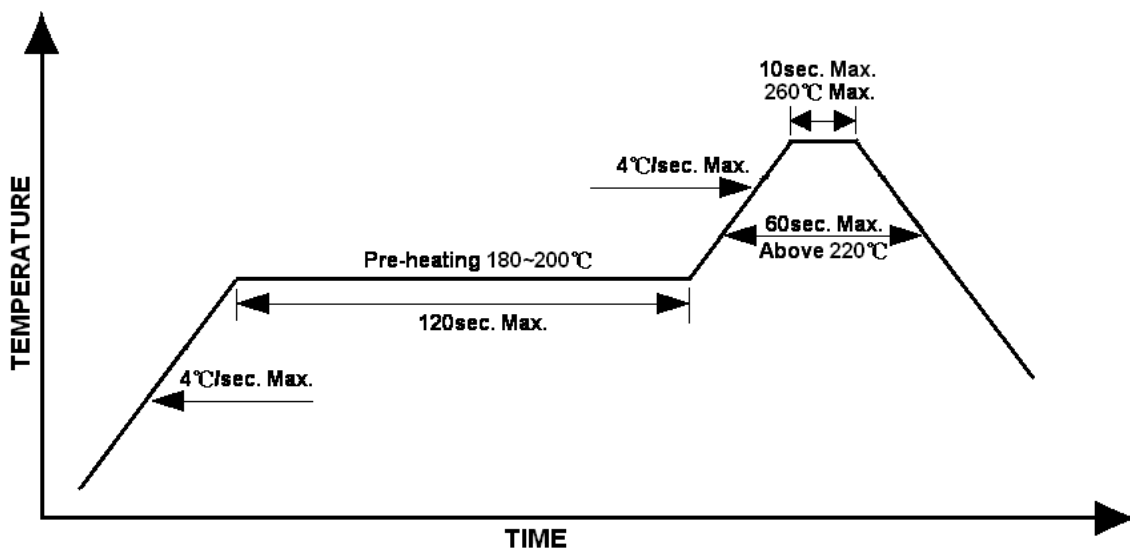
The packaging sequence is as follows:



## Reflow Soldering

- Recommended tin glue specifications: melting temperature in the range of 178~192 °C
- The recommended reflow soldering profile is as follows (temperatures indicated are as measured on the surface of the LED resin):

Lead-free Solder Profile



## Precautions

- Avoid exposure to moisture at all times during transportation or storage.
- Anti-Static precaution must be taken when handling GaN, InGaN, and AlInGaP products.
- It is suggested to connect the unit with a current limiting resistor of the proper size. Avoid applying a reverse voltage.
- Avoid operation beyond the limits as specified by the absolute maximum ratings.
- Avoid direct contact with the surface through which the LED emits light.
- If possible, assemble the unit in a clean room or dust-free environment.

## Reworking

- Rework should be completed within 5 seconds under 260 °C.
- The iron tip must not come in contact with the copper foil.
- Twin-head type is preferred.

## Cleaning

Following are cleaning procedures after soldering:

- An alcohol-based solvent such as isopropyl alcohol (IPA) is recommended.
- Temperature x Time should be 50°C x 30sec. or <30°C x 3min
- Ultra sonic cleaning: < 15W/ bath; bath volume ≤ 1liter
- Curing: 100 °C max, <3min

## Cautions of Pick and Place

- Avoid stress on the resin at elevated temperature.
- Avoid rubbing or scraping the resin by any object.
- Electro-static may cause damage to the component. Please ensure that the equipment is properly grounded. Use of an ionizer fan is recommended.

## Revision History

Changes since last revision	Page	Version No.	Revision Date
Initial Release		V1.0	04-02-2020

## DISCLAIMER

INOLUX reserves the right to make changes without further notice to any products herein to improve reliability, function or design. INOLUX does not assume any liability arising out of the application or use of any product or circuit described herein; neither does it convey any license under its patent rights, nor the rights of others.

## LIFE SUPPORT POLICY

INOLUX's products are not authorized for use as critical components in life support devices or systems without the express written approval of the President of INOLUX or INOLUX CORPORATION. As used herein:

1. Life support devices or systems are devices or systems which, (a) are intended for surgical implant into the body, or (b) support or sustain life, and (c) whose failure to perform when properly used in accordance with instructions for use provided in the labeling, can be reasonably expected to result in a significant injury of the user.
2. A critical component in any component of a life support device or system whose failure to perform can be reasonably expected to cause the failure of the life support device or system, or to affect its safety or effectiveness.