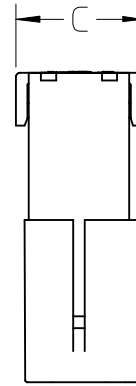


MATERIAL NUMBER	CKT SIZE	INSULATION DIA (MM)	SEAL COLOR	DIM A	DIM C
46065-0032	2	2.52 / 2.81	ORANGE	14.4	16.7
46065-0033 *	3	2.52 / 2.81	ORANGE	18.6	20.9
46065-0034 *	4	2.52 / 2.81	ORANGE	22.8	25.1

\* = NOT TOOLED



NOTES:

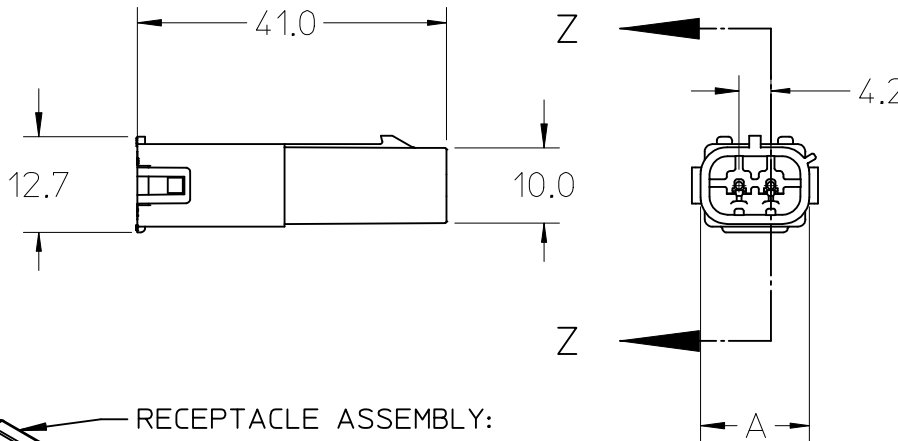
1. MATERIALS: PLUG HOUSING= POLYESTER: BLACK.  
SEALS: SILICONE RUBBER - SEE CHART.  
COVER: POLYESTER: BLACK
2. PRODUCT SPECIFICATION: PS-46064-001.
3. PACKAGING SPECIFICATION: PK-46065-001.
4. THIS ASSEMBLY ACCEPTS CRIMP TERMINALS:  
46056-0002 (TIN)  
46056-0003 (SELECTIVE GOLD)
5. SEE SHEET TWO FOR TERMINAL ORIENTATION.
6. MATES WITH RECEPTACLE ASSEMBLY NUMBER 46064-.\*.

CRIMP ORIENTATION SYMBOL

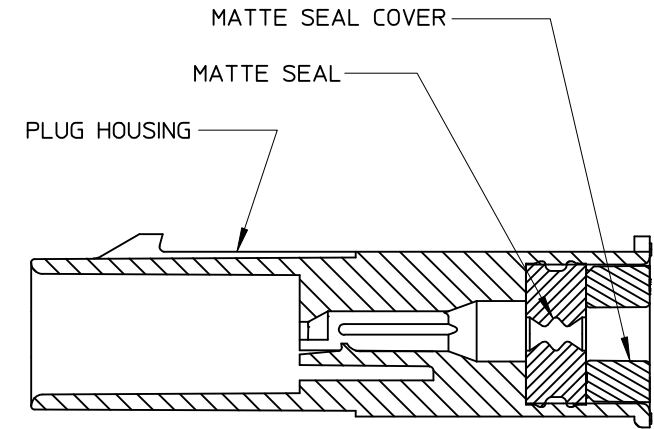
SEE SHEET 2



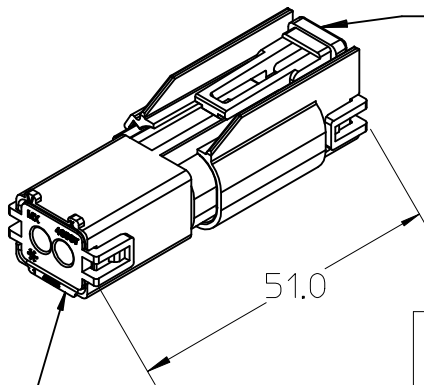
CIRCUIT NO. 1 IDENTIFICATION



RECEPTACLE ASSEMBLY:  
46064-.\*



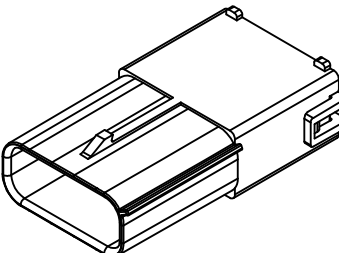
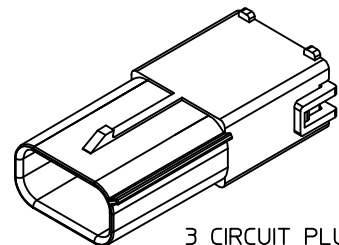
SECTION Z-Z  
SCALE 2:1



PLUG ASSEMBLY:  
46065-.\*

MATED ASSEMBLIES

UPDATE SEAL COLOR EC NO: UCP2013-5066 DRWN: NGUYEN 2013/05/24 CHKD: JBELL 2013/05/24 APPR: FSM:TH 2013/07/09	QUALITY SYMBOLS 	GENERAL TOLERANCES (UNLESS SPECIFIED)		DIMENSION STYLE <b>MM ONLY</b>		SCALE <b>1:1</b>	DESIGN UNITS <b>METRIC</b>	THIRD ANGLE PROJECTION		
			mm	INCH	DRAWN BY BBWILSON	DATE	TITLE <b>SEALED MINIFIT H2O PLUG ASSEMBLY</b>			
		4 PLACES	± ---	± ---	CHECKED BY	DATE				
		3 PLACES	± ---	± ---	APPROVED BY		DATE			
		2 PLACES	± 0.25	± ---						
1 PLACE	± 0.38	± ---	MATERIAL NO. <b>SEE CHART</b>		DOCUMENT NO. <b>SD-46065-001</b>		SHEET NO. <b>1 OF 2</b>			
0 PLACE	±	±	DRAFT WHERE APPLICABLE MUST REMAIN WITHIN DIMENSIONS		THIS DRAWING CONTAINS INFORMATION THAT IS PROPRIETARY TO MOLEX INCORPORATED AND SHOULD NOT BE USED WITHOUT WRITTEN PERMISSION					



PLUG TERMINAL  
46056

MATTE SEAL COVER

MATTE SEAL

CRIMP ORIENTATION SYMBOL  
SEE DETAIL1

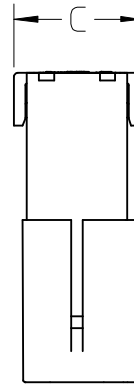
DETAIL1  
SCALE 4:1

TERMINALS TO BE INSERTED INTO  
HOUSING WITH THE CRIMP SECTION  
MATCHING THE CRIMP ORIENTATION  
SYMBOL ON THE HOUSING.

SEE SHEET 1 EC NO: UCP2013-5066 DRWN: NGUYEN 2013/05/24 CHKD: JBELL 2013/05/24 APPR: FSM:TH 2013/07/09	QUALITY SYMBOLS = 0 = 0 = 0	GENERAL TOLERANCES (UNLESS SPECIFIED)		DIMENSION STYLE <b>MM ONLY</b>	SCALE <b>1:1</b>	DESIGN UNITS <b>METRIC</b>	<b>THIRD ANGLE PROJECTION</b>	
		4 PLACES ± --- ± ---	mm INCH	DRAWN BY BBWILSON	DATE	TITLE <b>SEALED MINIFIT H20 PLUG ASSEMBLY</b>		
		3 PLACES ± --- ± ---		CHECKED BY	DATE	<b>molex</b>		
		2 PLACES ± 0.25 ± ---		APPROVED BY	DATE	MATERIAL NO. <b>SEE CHART</b>	DOCUMENT NO. <b>SD-46065-001</b>	SHEET NO. <b>2 OF 2</b>
		1 PLACE ± 0.38 ± ---		ANGULAR ± 1/2°		THIS DRAWING CONTAINS INFORMATION THAT IS PROPRIETARY TO MOLEX INCORPORATED AND SHOULD NOT BE USED WITHOUT WRITTEN PERMISSION		
0 PLACE ± ±		DRAFT WHERE APPLICABLE MUST REMAIN WITHIN DIMENSIONS		SIZE <b>A</b>				

MATERIAL NUMBER	CKT SIZE	INSULATION DIA (MM)	SEAL COLOR	DIM A	DIM C
46065-0032	2	2.52 / 2.81	ORANGE	14.4	16.7
46065-0033 *	3	2.52 / 2.81	ORANGE	18.6	20.9
46065-0034 *	4	2.52 / 2.81	ORANGE	22.8	25.1

\* = NOT TOOLED



NOTES:

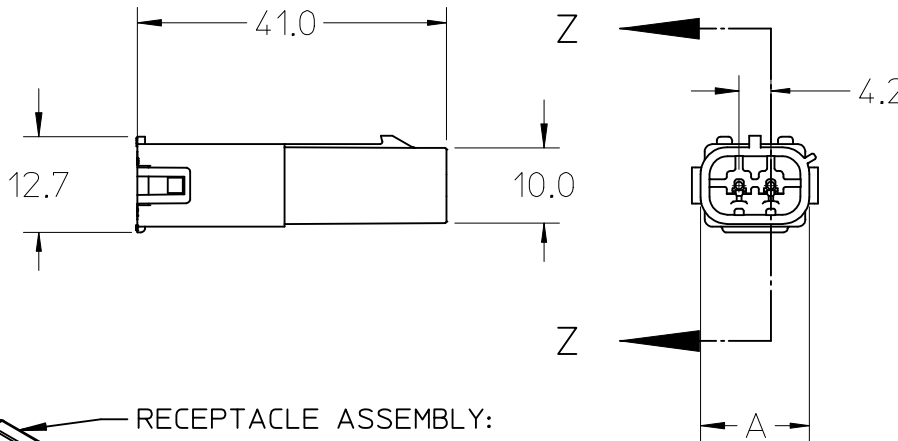
1. MATERIALS: PLUG HOUSING= POLYESTER: BLACK.  
SEALS: SILICONE RUBBER - SEE CHART.  
COVER: POLYESTER: BLACK
2. PRODUCT SPECIFICATION: PS-46064-001.
3. PACKAGING SPECIFICATION: PK-46065-001.
4. THIS ASSEMBLY ACCEPTS CRIMP TERMINALS:  
46056-0002 (TIN)  
46056-0003 (SELECTIVE GOLD)
5. SEE SHEET TWO FOR TERMINAL ORIENTATION.
6. MATES WITH RECEPTACLE ASSEMBLY NUMBER 46064-.\*.

CRIMP ORIENTATION SYMBOL

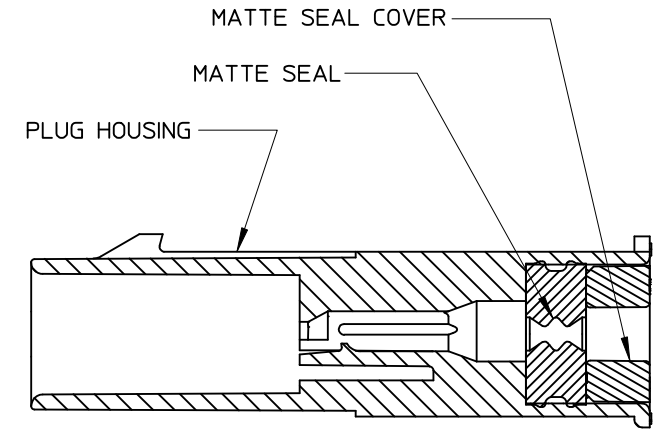
SEE SHEET 2



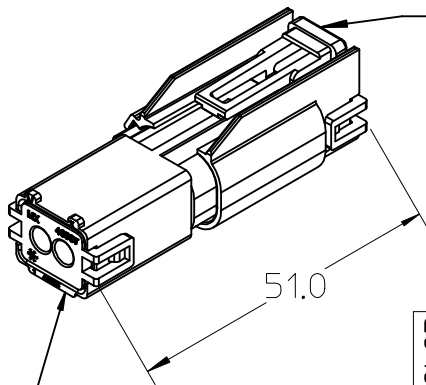
CIRCUIT NO. 1 IDENTIFICATION



RECEPTACLE ASSEMBLY:  
46064-.\*



SECTION Z-Z  
SCALE 2:1



PLUG ASSEMBLY:  
46065-.\*

MATED ASSEMBLIES

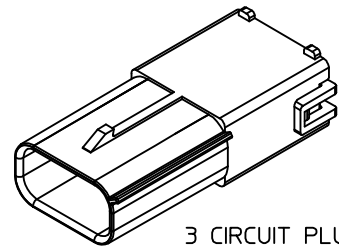
UPDATE SEAL COLOR EC NO: UCP2013-5066 DRWN: NGUYEN 2013/05/24 CHKD: JBELL 2013/05/24 APPR: FSM/TH 2013/07/09	QUALITY SYMBOLS ▽=0 ▽=0 ▽=0	GENERAL TOLERANCES (UNLESS SPECIFIED)		DIMENSION STYLE MM ONLY		SCALE 1:1	DESIGN UNITS METRIC	THIRD ANGLE PROJECTION		
			mm	INCH	DRAWN BY BBWILSON	DATE	TITLE SEALED MINIFIT H2O PLUG ASSEMBLY			
		4 PLACES	± ---	± ---	CHECKED BY	DATE	MATERIAL NO. SEE CHART			
		3 PLACES	± ---	± ---	APPROVED BY	DATE				
			2 PLACES	± 0.25	± ---	THIS DRAWING CONTAINS INFORMATION THAT IS PROPRIETARY TO MOLEX INCORPORATED AND SHOULD NOT BE USED WITHOUT WRITTEN PERMISSION				
			1 PLACE	± 0.38	± ---					
			0 PLACE	±	±					
			ANGULAR ± 1/2°							
			DRAFT WHERE APPLICABLE MUST REMAIN WITHIN DIMENSIONS							
E2	REV				SIZE A					

CRIMP ORIENTATION SYMBOL  
SEE DETAIL1

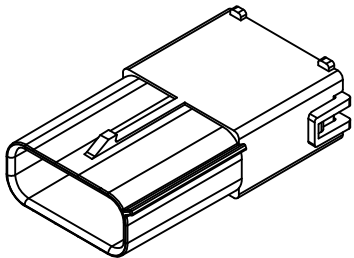
MATTE SEAL

MATTE SEAL COVER

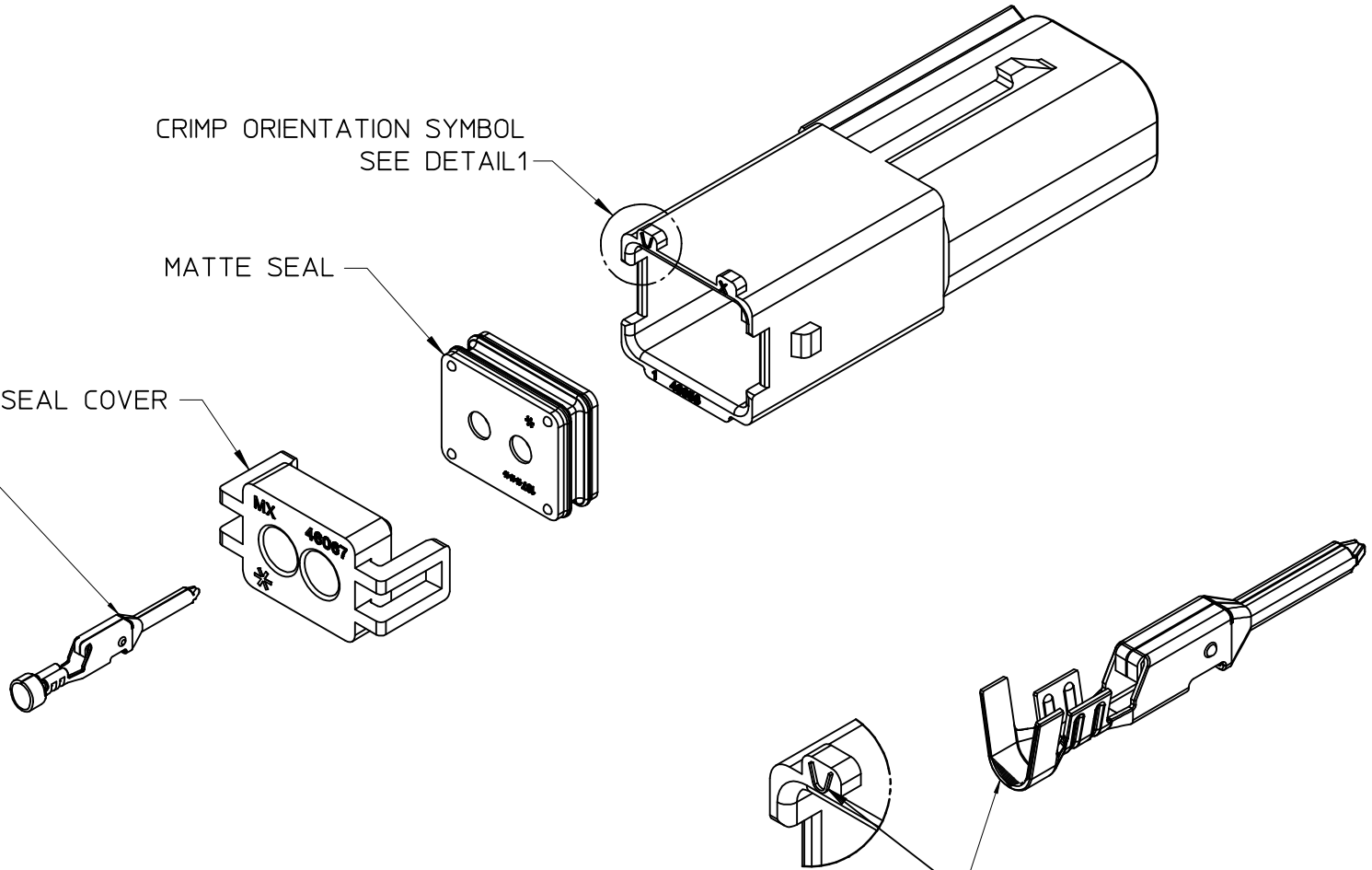
PLUG TERMINAL  
46056



3 CIRCUIT PLUG ASSY.



4 CIRCUIT PLUG ASSY.



DETAIL1  
SCALE 4:1

TERMINALS TO BE INSERTED INTO  
HOUSING WITH THE CRIMP SECTION  
MATCHING THE CRIMP ORIENTATION  
SYMBOL ON THE HOUSING.

SEE SHEET 1 EC NO: UCP2013-5066 DRWN: NGUYEN 2013/05/24 CHKD: JBELL 2013/05/24 APPR: FSM:TH 2013/07/09	QUALITY SYMBOLS ▽=0 ▽=0 ▽=0	GENERAL TOLERANCES (UNLESS SPECIFIED)		DIMENSION STYLE MM ONLY	SCALE 1:1	DESIGN UNITS METRIC	THIRD ANGLE PROJECTION
			mm	INCH	DRAWN BY BBWILSON	DATE	TITLE SEALED MINIFIT H2O PLUG ASSEMBLY
		4 PLACES	± ---	± ---	CHECKED BY	DATE	molex
		3 PLACES	± ---	± ---	APPROVED BY	DATE	
		2 PLACES	± 0.25	± ---	MATERIAL NO.	DOCUMENT NO. SD-46065-001	
1 PLACE	± 0.38	± ---	SEE CHART		THIS DRAWING CONTAINS INFORMATION THAT IS PROPRIETARY TO MOLEX INCORPORATED AND SHOULD NOT BE USED WITHOUT WRITTEN PERMISSION		
0 PLACE	±	±	ANGULAR ±1/2° DRAFT WHERE APPLICABLE MUST REMAIN WITHIN DIMENSIONS				
E2	REV			SIZE A			