

Material:

- Body: Nickel-plated brass
- Seal: Tefabloc
- Clamping ring for grounding connection: Tin-plated plastic
- Seal ring for outer thread: Nitril

Characteristics:

- PG/Metric thread

Technical properties:

- Continuous EMC protection due to tin-plated plastic
- Gas tight and watertight
- Completely twist protected

Applications:

- Machines and devices
- Measuring and control engineering
- Plant installations
- Telecommunications



| Temperature Range |
|--------------------------------|
| -25 to 120°C (-13 to 248°F) |

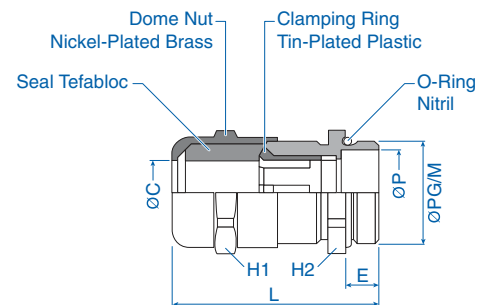


| Outer thread | Cable Clamping range mm | Shield Clamping range mm | Cat. No. | Std. Pk. |
|--------------|-------------------------|--------------------------|----------------|----------|
| PG | | | | |
| PG 7 | 4 - 6.5 | 4 - 6.5 | 4264007 | 100 |
| PG 9 | 5 - 8.5 | 4.5 - 8.5 | 4264009 | 50 |
| PG 11 | 7 - 10.5 | 6 - 10.5 | 4264011 | 50 |
| PG 13.5 | 8 - 12.5 | 8 - 12.5 | 4264013 | 50 |
| PG 16 | 10 - 14.5 | 10 - 14.5 | 4264016 | 20 |
| PG 21 | 13.5 - 18 | 13.5 - 18 | 4264021 | 25 |
| PG 29 | 17 - 24 | 17 - 24 | 4264029 | 10 |
| PG 36 | 24 - 30 | 24 - 30 | 4264036 | 10 |

Metric

| | | | | |
|---------------|-----------|-----------|----------------|-----|
| M 12 x 1.5/7 | 4 - 6.5 | 4 - 6.5 | 4264112 | 100 |
| M 16 x 1.5/7 | 4 - 6.5 | 4 - 6.5 | 4264116 | 100 |
| M 16 x 1.5/9 | 5 - 8.5 | 4.5 - 8.5 | 4264117 | 50 |
| M 20 x 1.5/11 | 7 - 10.5 | 6 - 10.5 | 4264120 | 50 |
| M 20 x 1.5/13 | 8 - 12.5 | 8 - 12.5 | 4264121 | 50 |
| M 25 x 1.5/16 | 10 - 14.5 | 10 - 14.5 | 4264125 | 25 |
| M 25 x 1.5/21 | 13.5 - 18 | 13.5 - 18 | 4264126 | 25 |
| M 32 x 1.5/21 | 13.5 - 18 | 13.5 - 18 | 4264132 | 10 |
| M 32 x 1.5/29 | 17 - 24 | 17 - 24 | 4264133 | 10 |
| M 40 x 1.5/29 | 17 - 24 | 17 - 24 | 4264134 | 10 |
| M 40 x 1.5/36 | 24 - 30 | 24 - 30 | 4264135 | 10 |

| Thread Size | Dimensions | | | | | | |
|-------------|------------|-------|------|------|-------|-------|----------|
| | H1 mm | H2 mm | E mm | L mm | ØC mm | ØP mm | ØPG/M mm |
| PG7 | 14 | 14 | 5 | 35 | 6.5 | 7.2 | 12.5 |
| PG9 | 17 | 17 | 6 | 37 | 8.5 | 9.2 | 15.2 |
| PG11 | 20 | 20 | 6 | 40 | 10.5 | 11.2 | 18.6 |
| PG13.5 | 22 | 22 | 6.5 | 40 | 12.5 | 13.1 | 20.4 |
| PG16 | 24 | 24 | 6.5 | 40 | 15.2 | 15.6 | 22.5 |
| PG21 | 30 | 30 | 7 | 50 | 18.5 | 20.1 | 28.3 |
| PG29 | 40 | 40 | 8 | 60 | 25.0 | 26.2 | 37.0 |
| PG36 | 50 | 50 | 9 | 70 | 30.5 | 33.0 | 47.0 |
| M 12x1.5/7 | 14 | 14 | 7 | 37 | 6.5 | 7.2 | 12.0 |
| M 16x1.5/7 | 14 | 17 | 7 | 37 | 6.5 | 7.2 | 16.0 |
| M 16x1.5/9 | 17 | 17 | 7 | 38 | 8.5 | 9.2 | 16.0 |
| M 20x1.5/11 | 20 | 22 | 7 | 41 | 10.5 | 11.2 | 20.0 |
| M 20x1.5/13 | 22 | 22 | 7 | 41 | 12.5 | 13.1 | 20.0 |
| M 25x1.5/16 | 24 | 26 | 8 | 41 | 15.2 | 15.6 | 25.0 |
| M 25x1.5/21 | 30 | 30 | 8 | 51 | 18.5 | 20.1 | 25.0 |
| M 32x1.5/21 | 30 | 33 | 8.5 | 51.5 | 18.5 | 20.1 | 32.0 |
| M 32x1.5/29 | 40 | 40 | 8.5 | 60.5 | 25.0 | 26.2 | 32.0 |
| M 40x1.5/29 | 40 | 42 | 8.5 | 60.5 | 25.0 | 26.2 | 40.0 |
| M 40x1.5/36 | 50 | 50 | 8.5 | 67 | 30.5 | 33.0 | 40.0 |



This is one of our most popular series and is usually kept in stock.

Locknuts sold separately, see page 25.