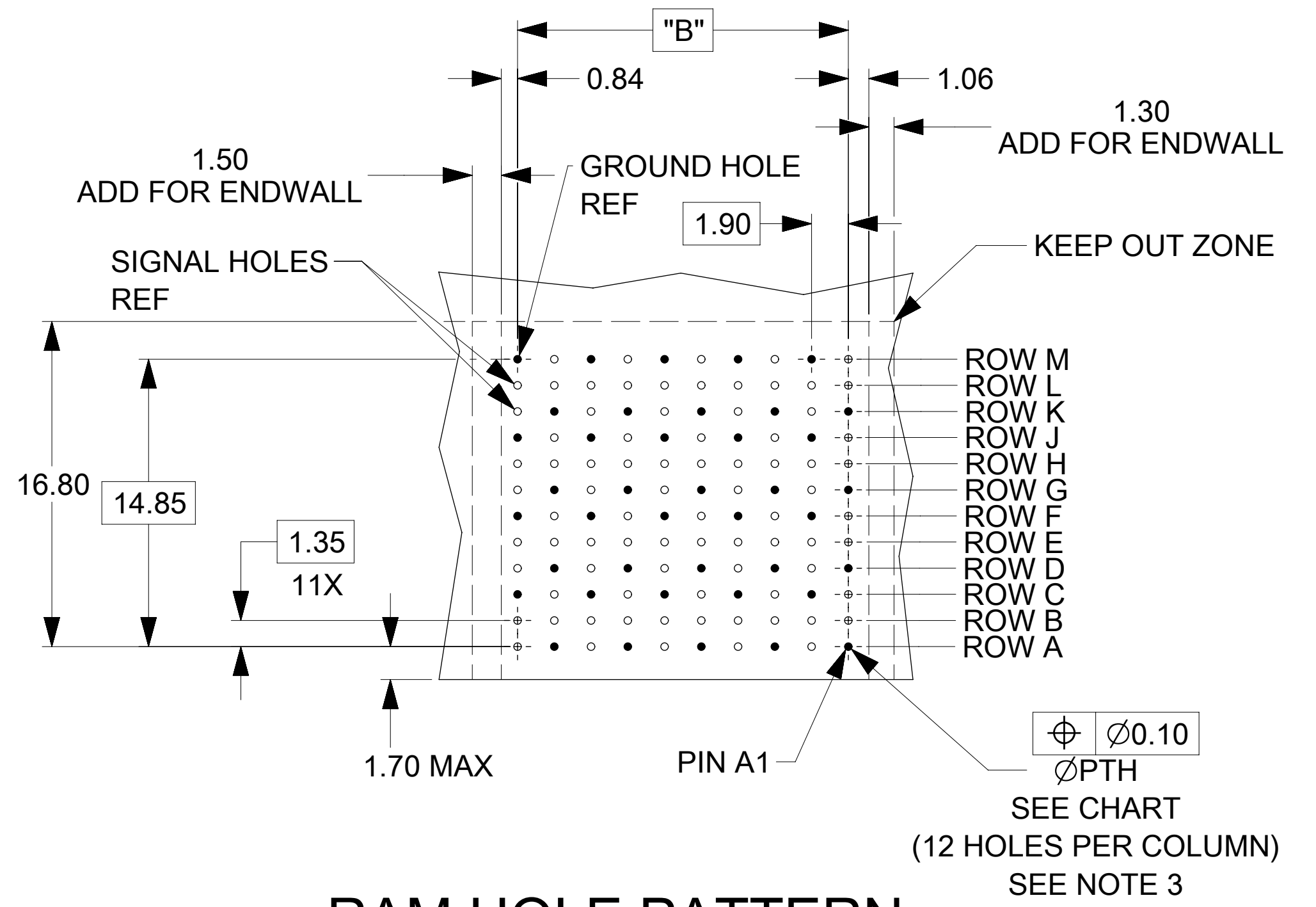
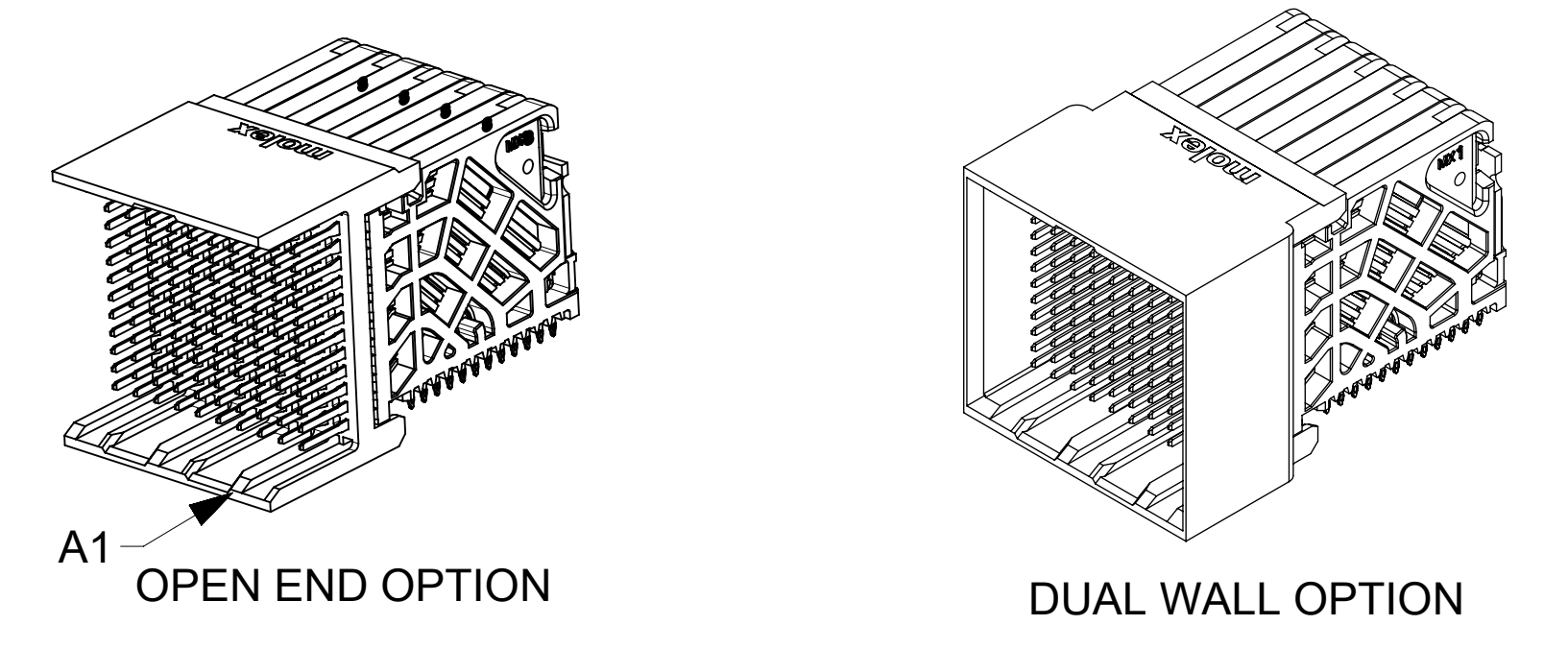
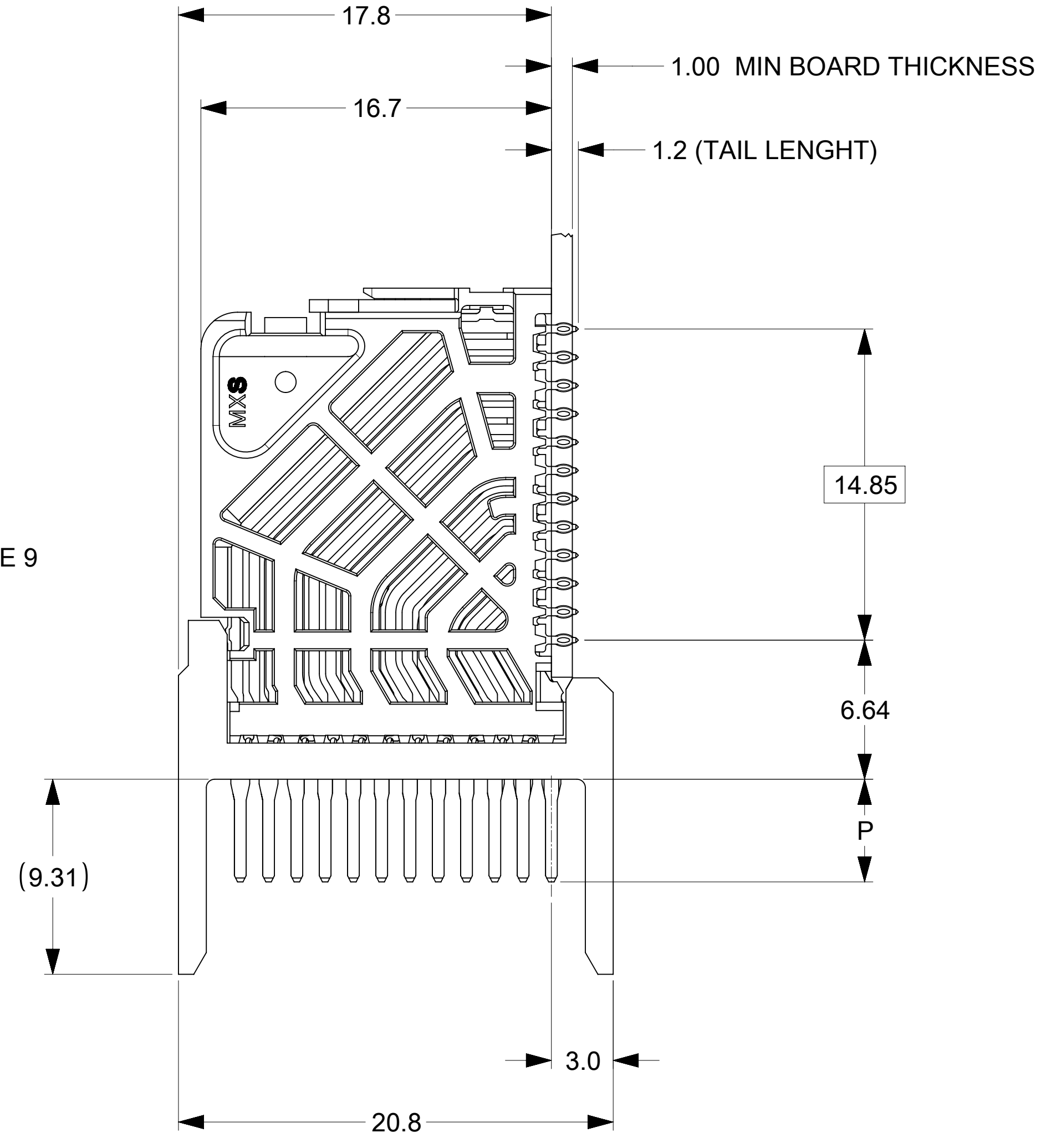
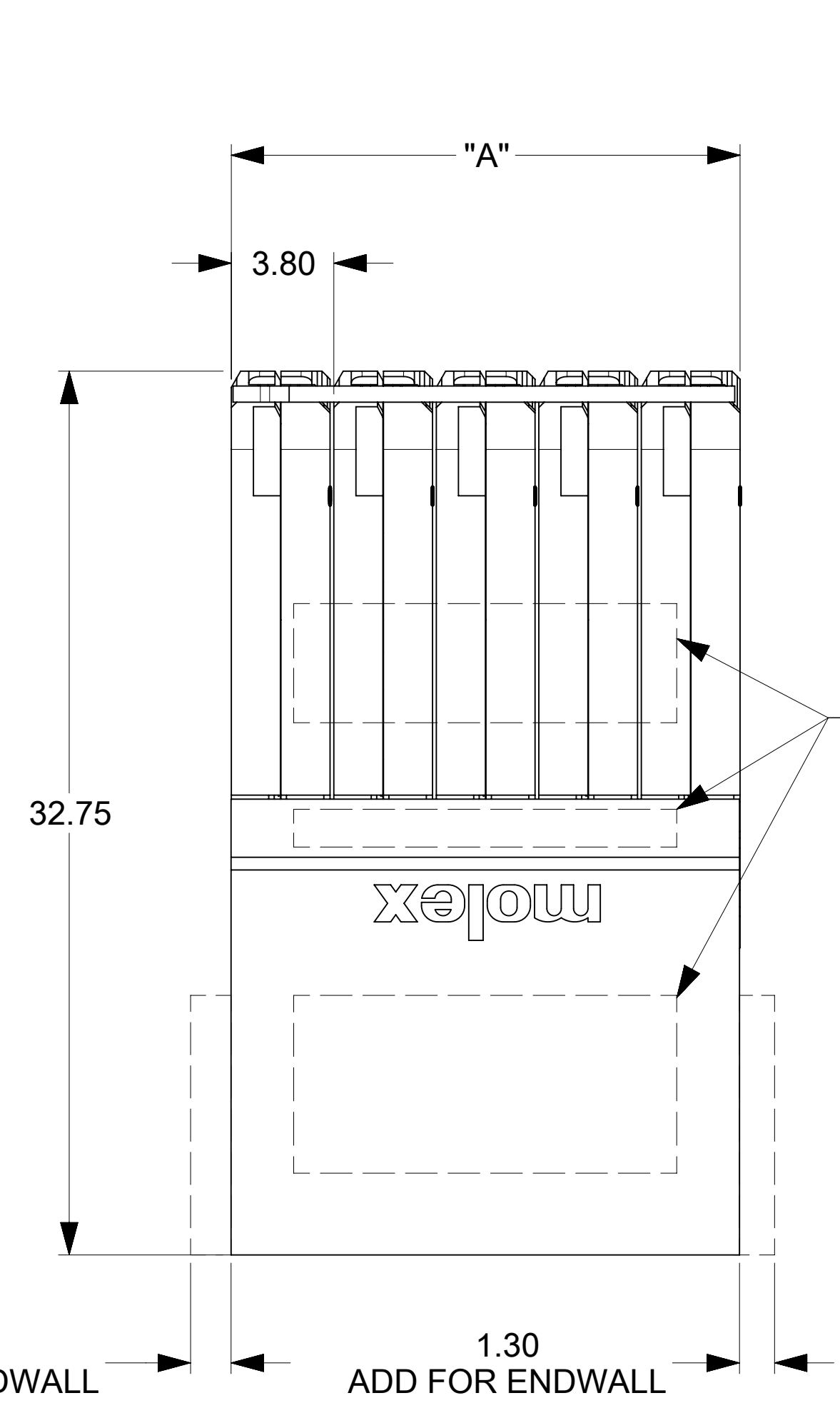


MATERIAL NUMBER	# OF COLUMNS	# OF DIFF PAIR	DIM "A" MAX	DIM "B"	PTH ϕ
76500-*8**	8	32	15.20	13.30	0.46 \pm 0.05
76500-*1**	10	40	19.00	17.10	0.46 \pm 0.05
76500-*6**	16	64	30.40	28.50	0.46 \pm 0.05
76500-*8**	8	32	15.20	13.30	0.39 \pm 0.05
76500-*1**	10	40	19.00	17.10	0.39 \pm 0.05
76500-*6**	16	64	30.40	28.50	0.39 \pm 0.05

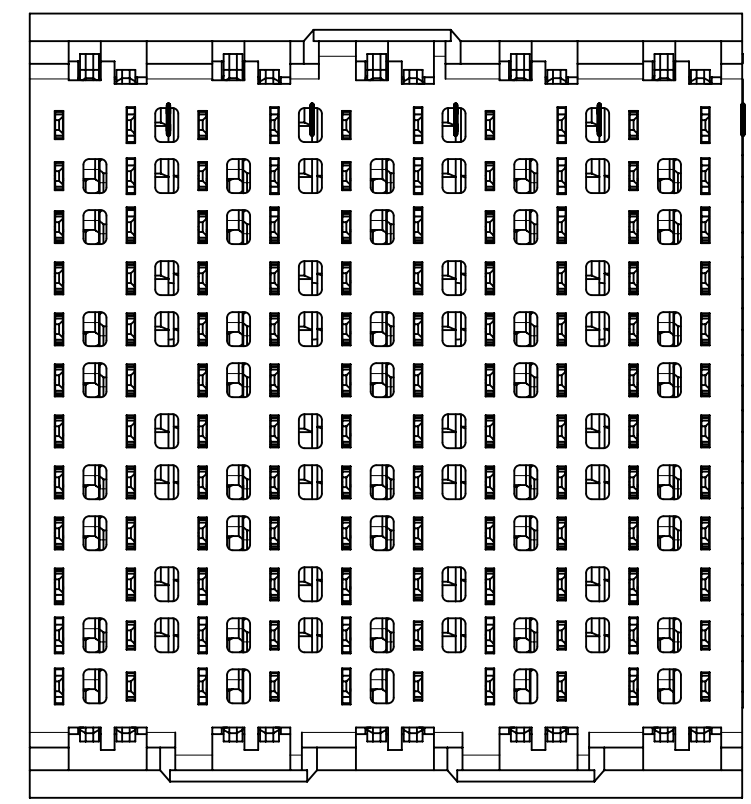
76500-****

- MODULE TYPE**
1 = UNGUIDED, LEAD-FREE
- # OF COLUMNS**
1 = 10 COLUMNS
6 = 16 COLUMNS
8 = 8 COLUMNS
- PIN LENGTH (P)**
4 = 4.90 (0.46 PTH)
5 = 5.50 (0.46 PTH)
7 = 4.90 (0.39 PTH)
8 = 5.50 (0.39 PTH)
- END WALL OPTIONS**
0 = OPEN ENDS
1 = LEFT ENDWALL
2 = DUAL ENDWALL
3 = RIGHT ENDWALL

- NOTES:**
- MATERIALS: HOUSING - LIQUID CRYSTAL POLYMER (LCP), GLASS-FILLED, UL94V-0
TERMINALS - HIGH PERFORMANCE COPPER ALLOY
 - FINISH: 30 μ IN SELECTIVE GOLD IN CONTACT AREA, SELECTIVE TIN ON PCB TAILS, NICKEL OVERALL.
 - REFER TO MOLEX PRODUCT SPECIFICATION PS-76060-999 FOR PERFORMANCE SPECIFICATIONS AND ADDITIONAL PCB INFORMATION.
 - EACH SIGNAL WAFER CONTAINS 2 COLUMNS OF TERMINALS.
 - PRODUCT IS PACKAGED PER PK-70873-041.
 - THIS PART CONFORMS TO CLASS B REQUIREMENTS OF COSMETIC SPEC PS-45499-002.
 - REFER TO MOLEX SALES DRAWING SD-76160-001 FOR THE MATING RECEPTACLES.
 - REFER TO MOLEX PCB ROUTING GUIDE AS-76060-990 FOR ANTIPAD AND ROUTING RECOMMENDATIONS.
 - MARKING: LOCATED APPROXIMATELY AS SHOWN. PART NUMBER AND DATE CODE.

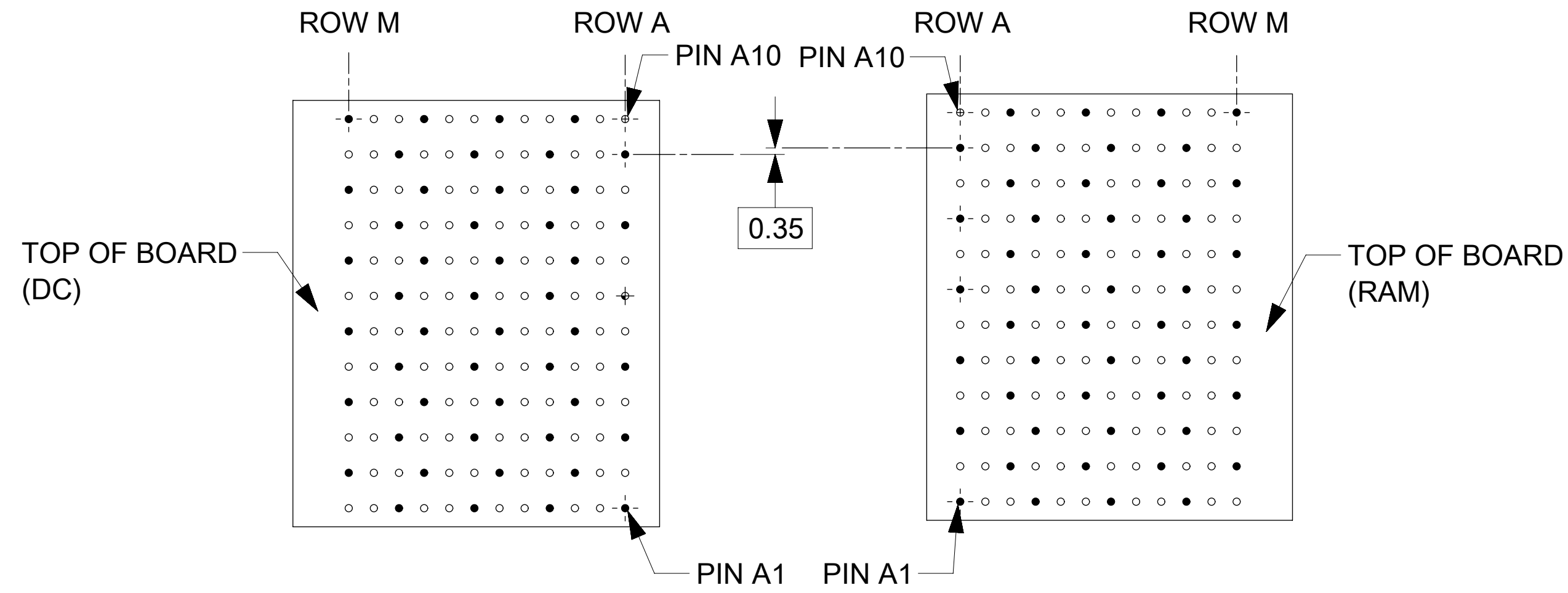
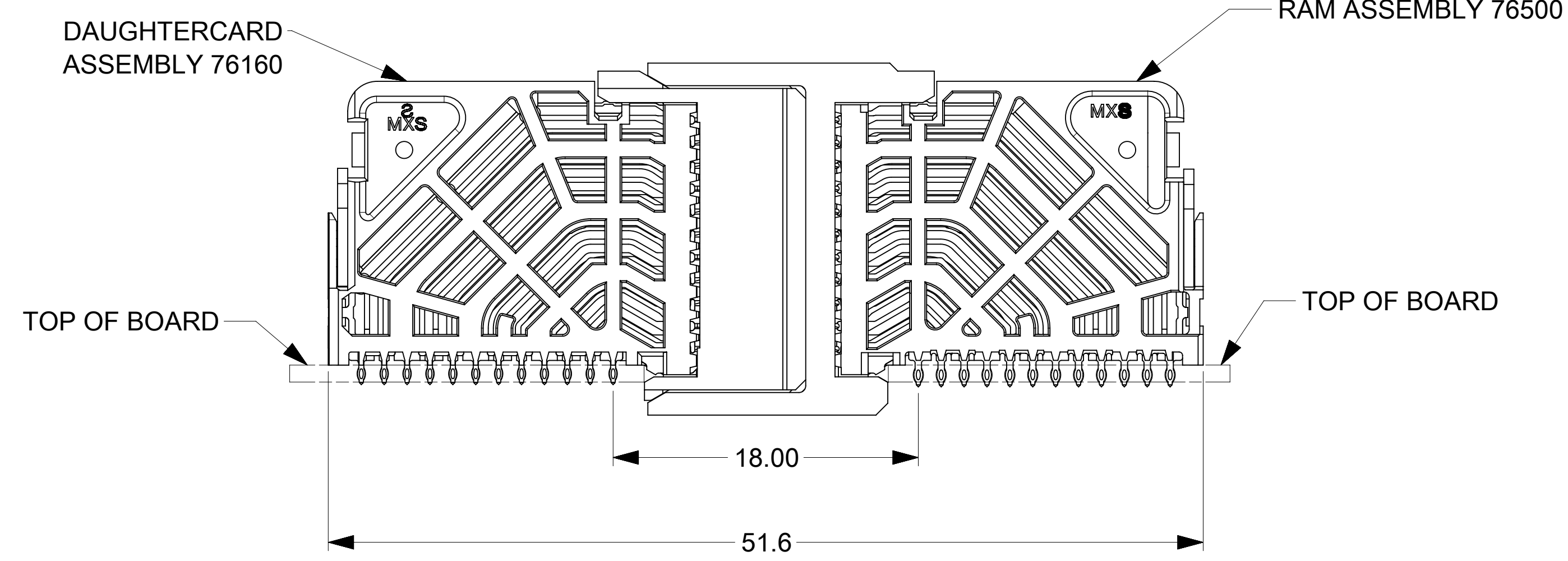


RAM HOLE PATTERN (CONNECTOR SIDE)

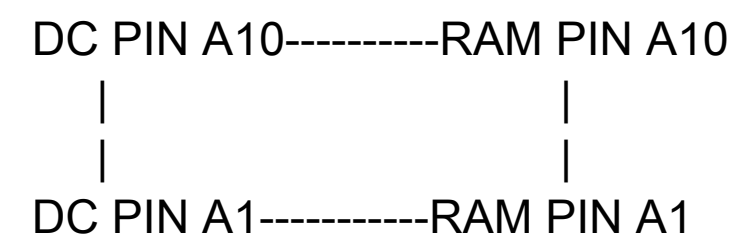



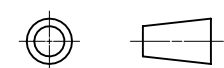
THIS DRAWING CONTAINS INFORMATION THAT IS PROPRIETARY TO MOLEX ELECTRONIC TECHNOLOGIES, LLC AND SHOULD NOT BE USED WITHOUT WRITTEN PERMISSION											
DIMENSION UNITS: mm		SCALE: NTS		CURRENT REV DESC: REMASTERED TO NX							
GENERAL TOLERANCES (UNLESS SPECIFIED)				EC NO: 705090							
ANGULAR TOL \pm 0.5°				4 PLACES \pm		DRWN: DYARAS		2021/12/07		IMPACT 4 PAIR RAM UNGUIDED SIGNAL MODULE SALES DRAWING	
3 PLACES \pm				3 PLACES \pm		CHK'D: YOGEEB		2022/02/09			
2 PLACES \pm 0.13				2 PLACES \pm 0.13		APPR: LZENG		2022/05/13		PRODUCT CUSTOMER DRAWING	
1 PLACE \pm 0.25				1 PLACE \pm 0.25		INITIAL REVISION:		DOCUMENT NUMBER			
0 PLACES \pm				0 PLACES \pm		DRWN: JQUILES		2009/01/12		SD-76500-001	
DRAFT WHERE APPLICABLE MUST REMAIN WITHIN DIMENSIONS				THIRD ANGLE PROJECTION		APPR: JLAURX		2009/01/13		DOC PART	
D-DRAWING		SERIES		MATERIAL NUMBER		CUSTOMER		REVISION		SHEET NUMBER	
D-SIZE		76500		SEE TABLE		GENERAL MARKET		001		D4	
D-DRAWING		SERIES		MATERIAL NUMBER		CUSTOMER		REVISION		SHEET NUMBER	
D-DRAWING		SERIES		MATERIAL NUMBER		CUSTOMER		REVISION		SHEET NUMBER	

COPLANAR APPLICATION



COPLANAR MATED SIGNAL PATHS



THIS DRAWING CONTAINS INFORMATION THAT IS PROPRIETARY TO MOLEX ELECTRONIC TECHNOLOGIES, LLC AND SHOULD NOT BE USED WITHOUT WRITTEN PERMISSION									
DIMENSION UNITS	SCALE	CURRENT REV DESC: REMASTERED TO NX							
mm	NTS	 IMPACT 4 PAIR RAM UNGUIDED SIGNAL MODULE SALES DRAWING							
GENERAL TOLERANCES (UNLESS SPECIFIED)									
ANGULAR TOL	± 0.5°	PRODUCT CUSTOMER DRAWING							
4 PLACES	±	EC NO: 705090	2021/12/07						
3 PLACES	±	DRWN: DYARAS	2022/02/09						
2 PLACES	± 0.13	CHK'D: YOGEEB	2022/05/13						
1 PLACE	± 0.25	APPR: LZENG	INITIAL REVISION:						
0 PLACES	±	DRWN: JQUILES	2009/01/12						
DRAFT WHERE APPLICABLE MUST REMAIN WITHIN DIMENSIONS		APPR: JLAURX	2009/01/13						
THIRD ANGLE PROJECTION		DRAWING	SERIES	MATERIAL NUMBER	CUSTOMER	DOCUMENT NUMBER	DOC TYPE	DOC PART	REVISION
		D-SIZE	76500	SEE TABLE	GENERAL MARKET	SD-76500-001	PSD	001	D4
								SHEET NUMBER	
								2 OF 2	