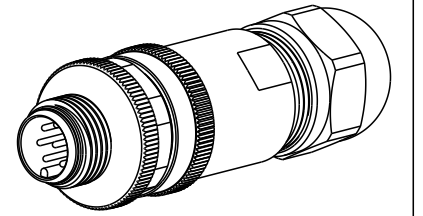
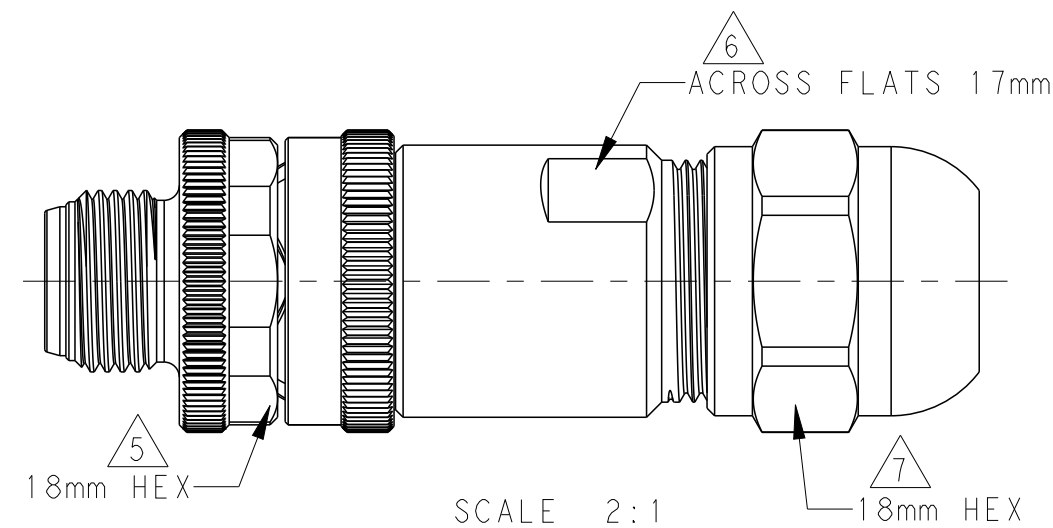
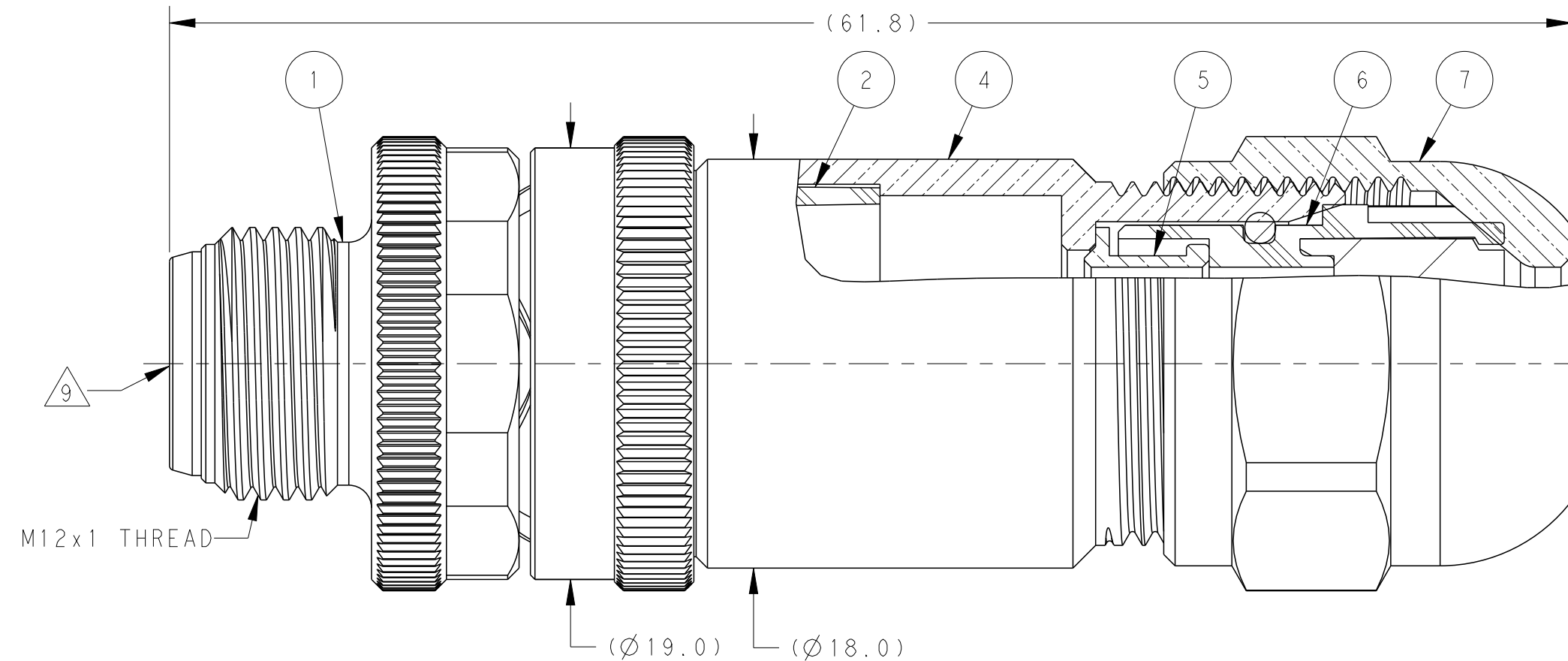
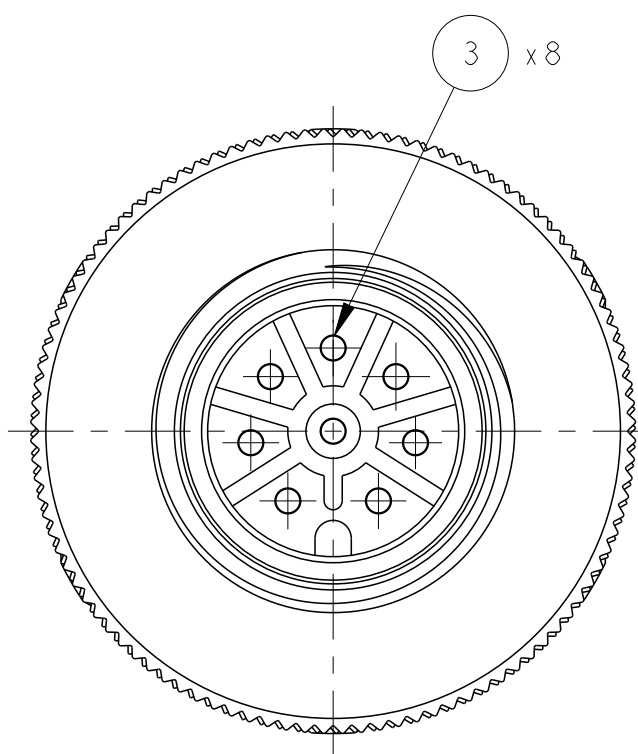


P	LTR	DESCRIPTION	DATE	DWN	APVD
A		ECO-21-006862	16JUN2021	NR	MV



SCALE 1:1

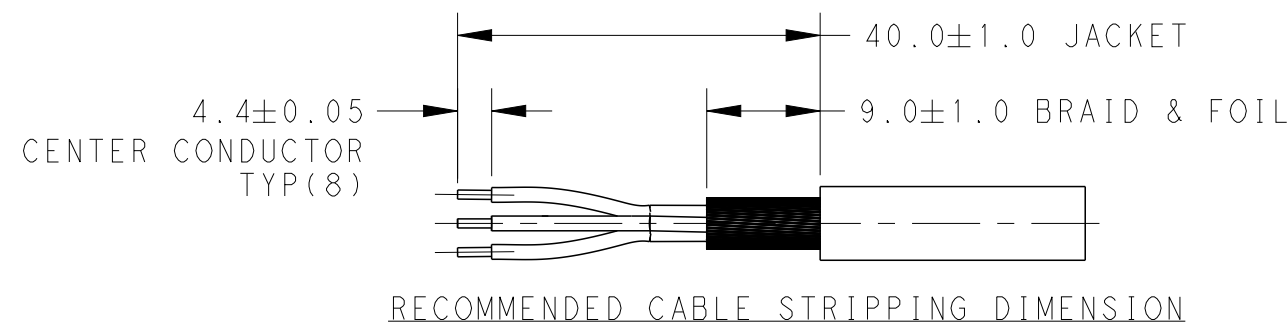


ASSEMBLY PART NUMBER	CONTACT SIZE	SEAL	CABLE FEED
2351415-1	22-26 AWG	PG7	4-6mm
2351415-2	22-26 AWG	PG9	6-8.4mm
2351415-3	18-20 AWG	PG7	4-6mm
2351415-4	18-20 AWG	PG9	6-8.4mm

TECHNICAL DATA	M12 MALE, A8 CODE
RATED VOLTAGE	30V
RATED CURRENT	2A
POLLUTION DEGREE	3
OVERVOLTAGE CATEGORY	II
MATERIAL GROUP	II
CONTACT RESISTANCE	≤8mΩ
INSULATION RESISTANCE	>100MΩ
DEGREE OF PROTECTION	IP67
OPERATION TEMPERATURE	-40~85°C

NOTES:

- (): DIMENSIONS FOR INFORMATION
 : INSPECTION DIMENSIONS.
- FRAMED DIMENSIONS ARE TO BE STRICTLY ADHERED TO.
- TECHNICAL DATA: SEE TABLE
- THE M12 CONNECTOR ASSEMBLY MUST MEET IP67 SEALING REQUIREMENT AT MATED CONDITION.
- TIGHTENING TORQUE FOR MATING FEMALE CONNECTOR - 0.6NM.
- TIGHTENING TORQUE - 1NM.
- TIGHTENING TORQUE - 1NM.
- PACKAGING: 1 PIECE IN A BAG
- INTERFACE DIMENSIONS PER IEC 61076-2-101.
- CABLE WIRE SIZE RANGE AWG 18-26.
- THIS CONNECTOR IS COMPLIANT TO FIRE AND SMOKE STANDARD EN45545-2 AND SHOCK & VIBRATION STANDARD EN61373.
- CONTACT CRIMPING TOOL: 601966-1 (M22520/2-01)
 POSITIONER: 09 99 000 0501
 SELECTOR NUMBER: 6 (FOR AWG 22-26)
 7 (FOR AWG 18-20)
- CONTACT PART NUMBER: 2351769-1 (22-26 AWG)
 2351769-2 (18-20 AWG)



ITEM NO.	DESCRIPTION	QTY	MATERIAL	PLATING
7	PRESS SCREW	1	BRASS	NICKEL
6	PINCH RING SUB ASSEMBLY	1	-	-
5	SHIELDING RING	1	BRASS	NICKEL
4	METAL BODY	1	BRASS	NICKEL
3	MALE CONTACT	8	PHOSPHOR BRONZE	GOLD
2	CONTACT POSITIONER	1	POLYAMIDE	BLACK
1	M12 MALE, SUB ASSEMBLY	1	-	-

THIS DRAWING IS A CONTROLLED DOCUMENT.

DWN RAJAGOPAL N 28OCT2019
 CHK M. BONNIN 28OCT2019
 APVD M. VIMARD 28OCT2019

TE Connectivity

M12 MALE STRAIGHT SHIELDED CONNECTOR A8 CODE, CRIMP TYPE, IP 67

108-157015
 114-157020

SIZE A2 CAGE CODE 00779 DRAWING NO. C-2351415

RESTRICTED TO

MATERIAL SEE BOM TABLE finish_spec_2 CUSTOMER DRAWING

SCALE 5:1 SHEET 1 OF 1 REV A