

4

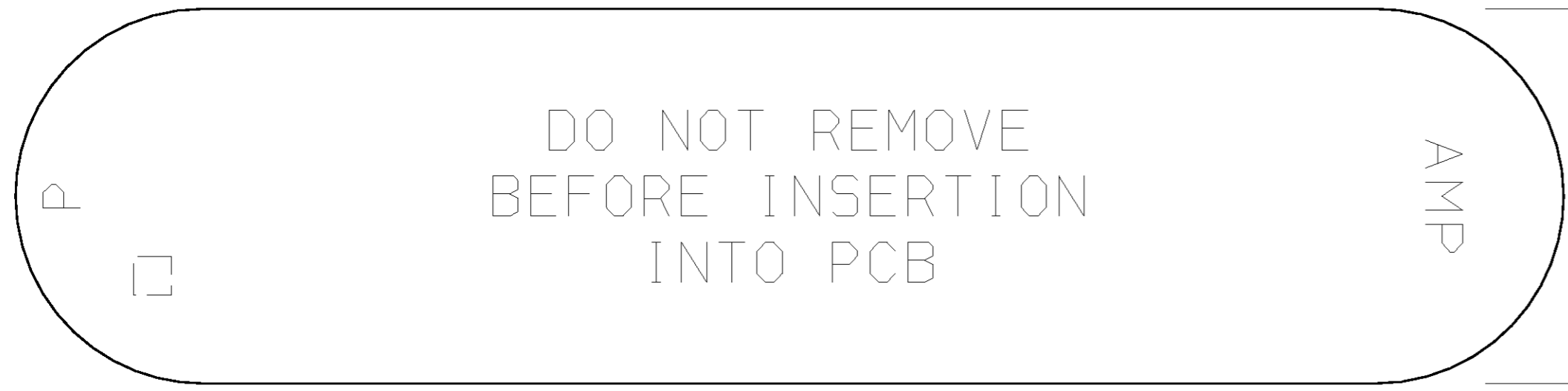
3

2

1

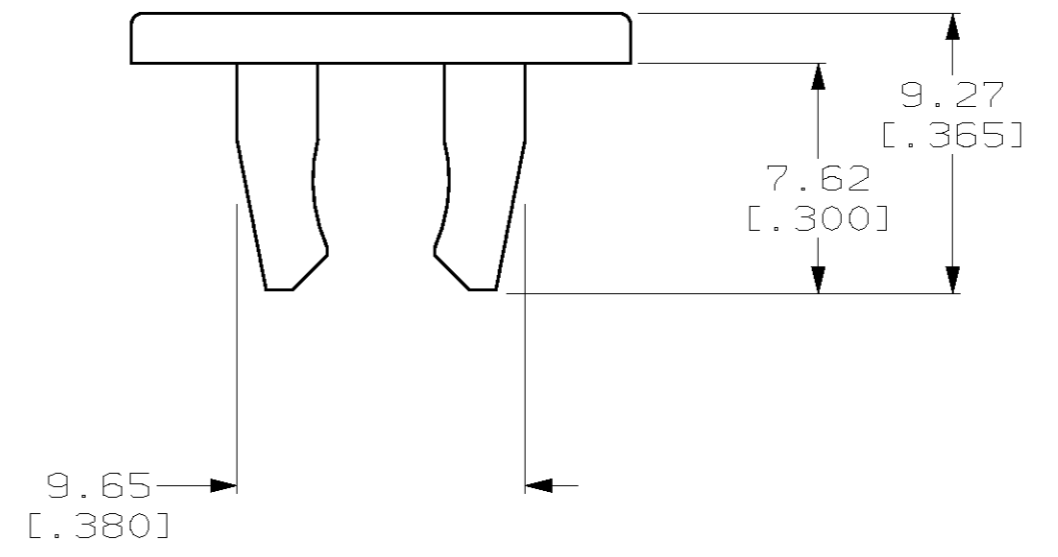
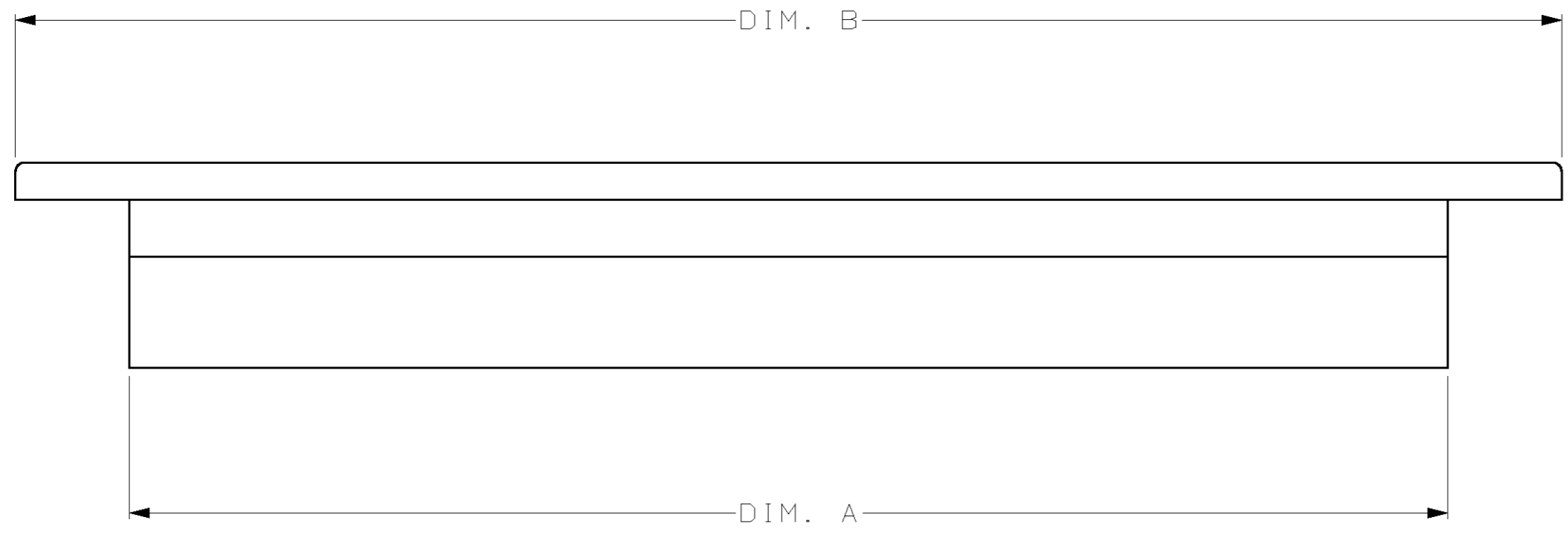
THIS DRAWING IS UNPUBLISHED. RELEASED FOR PUBLICATION
 BY AMP INCORPORATED. ALL RIGHTS RESERVED.

LOC	DIST	REVISIONS			
P	LTR	DESCRIPTION	DATE	DWN	APVD
AA	20	B	REVISED; EC 0UFO-0130-01	28SEP01	DLD EWB



- 1. MATERIAL: POLYETHYLENE MOLDING COMPOUND, NATURAL.
- 2. DIMENSIONS ARE MAXIMUM UNLESS OTHERWISE SPECIFIED.

553442-4 SHOWN



64	84.07 [3.310]	73.91 [2.910]	553442-5
50	68.84 [2.715]	58.67 [2.310]	553442-4
36	53.59 [2.110]	43.43 [1.710]	553442-3
24	40.89 [1.610]	30.73 [1.210]	553442-2
14	29.72 [1.170]	19.56 [.770]	553442-1
POSITION	DIM. B	DIM. A	PART NUMBER

THIS DRAWING IS A CONTROLLED DOCUMENT.		DWN DL DRUMMOND 26SEP2001	AMP AMP Incorporated Harrisburg, PA 17105-3608	
DIMENSIONS: mm [INCHES]		CHK DL DRUMMOND 26SEP2001		
TOLERANCES UNLESS OTHERWISE SPECIFIED:		APVD EW BEILES 28SEP2001	NAME RETAINER PLUG, ACTION PIN, CHAMP-LOK	
0 PLC ±-		PRODUCT SPEC -	SIZE CAGE CODE DRAWING NO RESTRICTED TO	
1 PLC ±-		APPLICATION SPEC -	A2 00779 C-553442 -	
2 PLC ±-		WEIGHT -	SCALE 4:1 SHEET 1 OF 1 REV B	
3 PLC ±-		CUSTOMER DRAWING		
4 PLC ±-				
ANGLES ±-				
FINISH -				

553442