



M5STACK

StampS3

SKU: S007

X



Description

STAMP S3 is a highly integrated embedded main control core module, using Espressif **ESP32-S3FN8** main control chip, **8MSPI flash memory**, equipped with high-performance Xtensa 32-bit LX7 dual-core processor, main frequency up to 240MHz. Built-in **highly integrated 5V to 3.3V circuit, RGB status indicator, programmable button**, module leads out **23 GPIOs on ESP32-S3**, and in the form of **1.27MM/2.54MM** spacing lead, support **SMT, DIP row, DIP row and Jump wire** and other ways of use; The product features compact volume, strong performance, rich expansion IO and low power consumption. The module is suitable for **IoT application scenarios with embedded main control modules**.

Features

- ESP32-S3FN8(2.4GHz Wi-Fi)
- Minimal system board
- Multi-IO lead-out, support multiple application forms (SMT, DIP, flying wire)
- Integrated programmable RGB LEDs and buttons
- Support UIFlow graphical programming

Includes

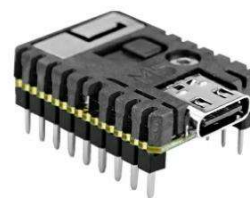
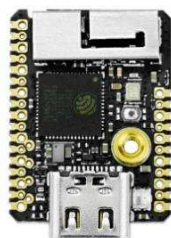
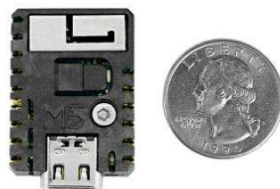
- 1x StampS3
- 1x HY2.0-4P terminal
- 1 x 2.54-9P header
- 1 x 2.54-6P header
- 1 x Hex Key
- 1 × User manual

Applications

- Smart home
- Wearables
- Medical equipment

Specification

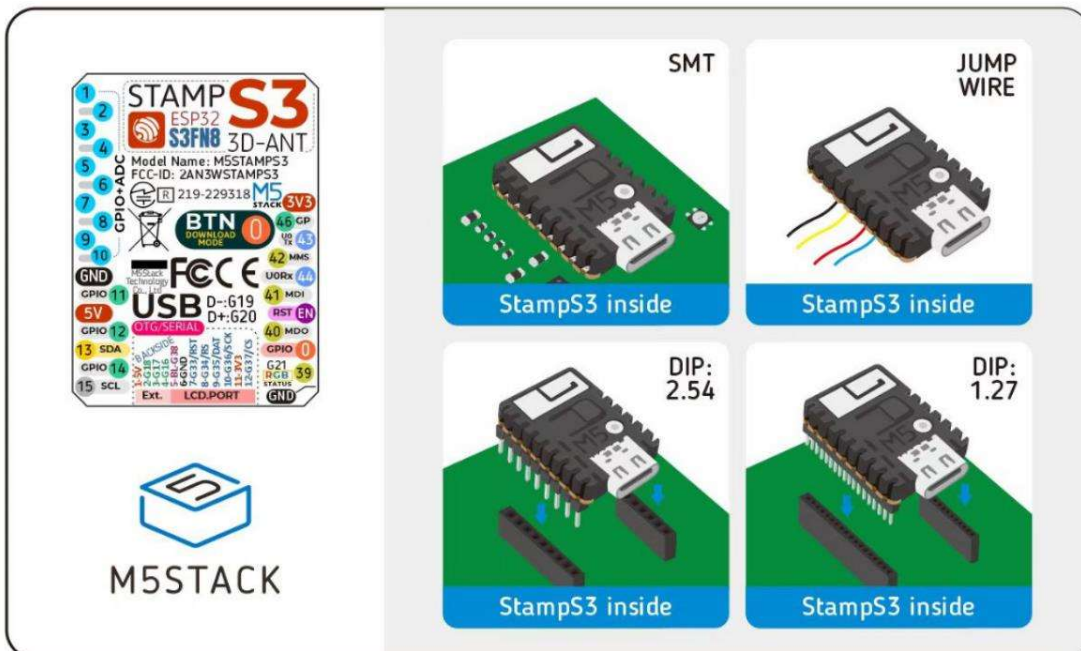
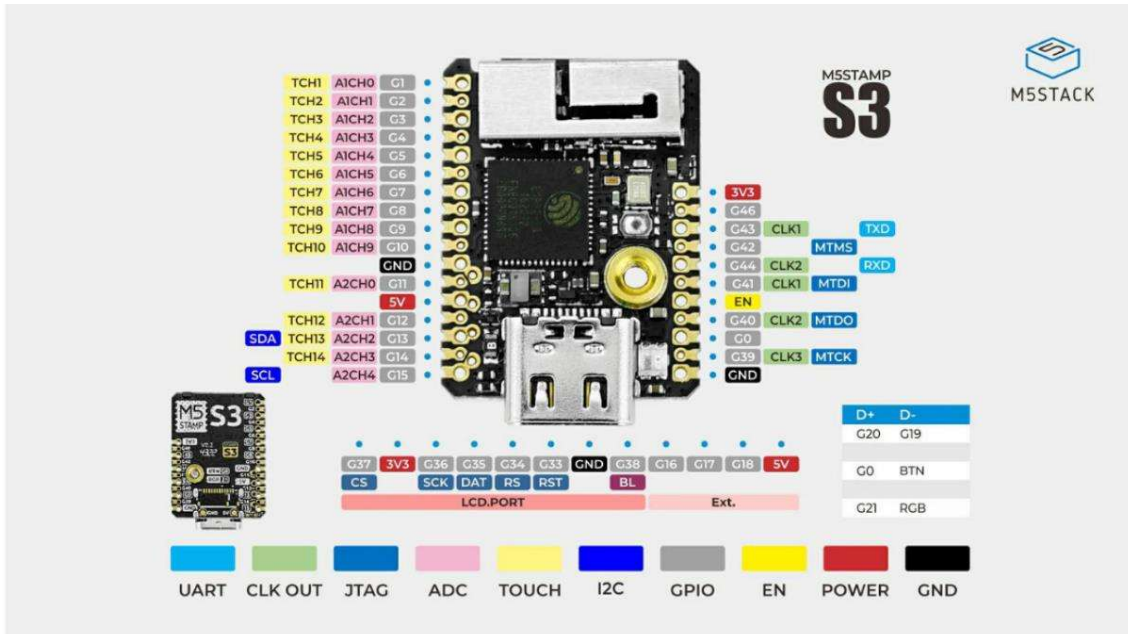
Resources	Parameters
MCU	ESP32-S3FN8
DCDC	Highly integrated MUN3CAD01-SC
Flash	8MB
Input voltage	5V
Interactive	Programmable physical buttons x 1, programmable RGB LED (WS2812B-2020) x 1
Antenna type	2.4G 3D antenna
Module resource interface	Touch sensor, SD/SDIO/MMC master controller, SPI, SDIO/SPI slave controller, EMAC, motor PWM, LED PWM, UART, I2C, I2S, GPIO, pulse counter
IO interface x23	G0/G1/G2/G3/G4/G5/G6/G7/G8/G9/G10/G11/G12/G13/G14/G15/G39/G40/G41/G42/G43/G44/G46
Connection method	SMT/DIP (pitch 2.54mm and 1.27mm)/Jump Wire
IO interface spacing	2.54mm和1.27mm
Operating temperature	0°C to 40°C
Product Size	26mm × 18mm × 4.6mm
Package Size	136mm × 92mm × 13mm
Product Weight	3.2g
Package Weight	7.5g

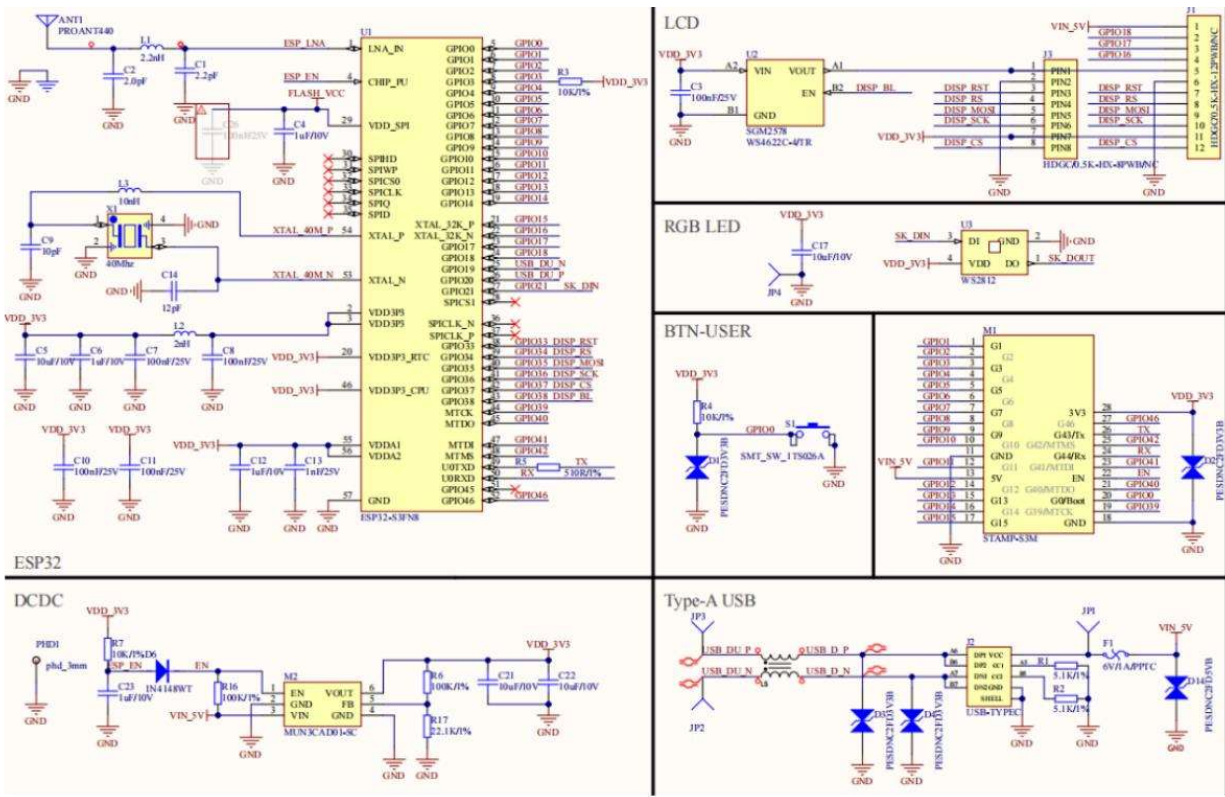


Related Link

- [ESP32-S3](#)
- [MUN3CAD01-SC](#)

Schematic





Module Size

