

AMPSEAL

TE Internal #: 66773-3

TE Internal Description: SOK CONT, ECMSC

[View on TE.com >](#)



Product Compliance

[For compliance documentation, visit the product page on TE.com>](#)

|   |  |
|---|--|
| EU RoHS Directive 2011/65/EU                  | Compliant  |
| EU ELV Directive 2000/53/EC                   | Compliant  |
| China RoHS 2 Directive MIIT Order No 32, 2016 | No Restricted Materials Above Threshold  |
| EU REACH Regulation (EC) No. 1907/2006        | Current ECHA Candidate List: JUNE 2023 (235)<br>Candidate List Declared Against: JAN 2023 (233)<br>Does not contain REACH SVHC |
| Halogen Content                               | Low Halogen - Br, Cl, F, I < 900 ppm per homogenous material. Also BFR/CFR/PVC Free  |
| Solder Process Capability                     | Not reviewed for solder process capability   |

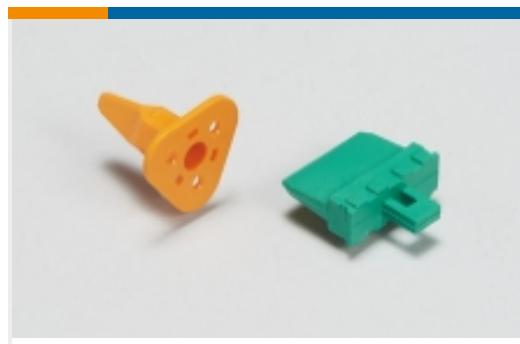
Product Compliance Disclaimer

This information is provided based on reasonable inquiry of our suppliers and represents our current actual knowledge based on the information they provided. This information is subject to change. The part numbers that TE has identified as EU RoHS compliant have a maximum concentration of 0.1% by weight in homogenous materials for lead, hexavalent chromium, mercury, PBB, PBDE, DBP, BBP, DEHP, DIBP, and 0.01% for cadmium, or qualify for an exemption to these limits as defined in the Annexes of Directive 2011/65/EU (RoHS2). Finished electrical and electronic equipment products will be CE marked as required by Directive 2011/65/EU. Components may not be CE marked. Additionally, the part numbers that TE has identified as EU ELV compliant have a maximum concentration of 0.1% by weight in homogenous materials for lead, hexavalent chromium, and mercury, and 0.01% for cadmium, or qualify for an exemption to these limits as defined in the Annexes of Directive 2000/53/EC (ELV). Regarding the REACH Regulation, the information TE provides on SVHC in articles for this part number is based on the latest European Chemicals Agency (ECHA) 'Guidance on requirements for substances in articles' posted at this URL: <https://echa.europa.eu/guidance-documents/guidance-on-reach>

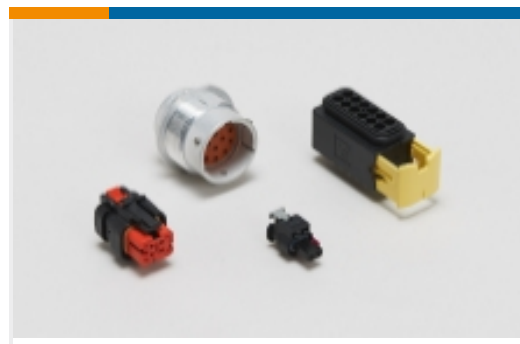
Also in the Series | AMPSEAL



Automotive Connector Caps & Covers (5)



Automotive Connector Locks & Position Assurance (1)



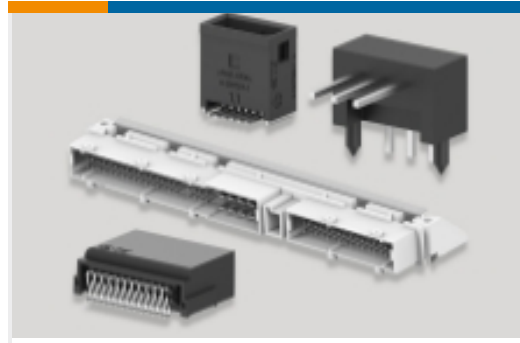
Automotive Housings (31)



Automotive Terminals (8)



Connector Seals & Cavity Plugs (1)



PCB Headers & Receptacles (116)

## Customers Also Bought



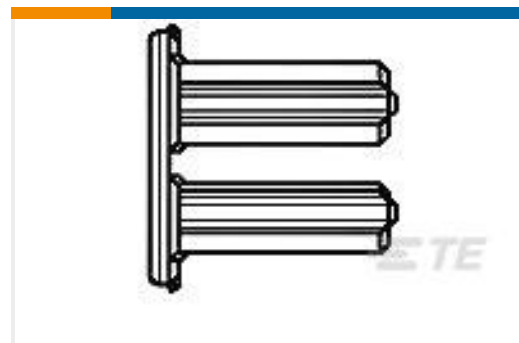
TE Part #DTM04-12PB-L012  
REC, 12P, BLK, N, FLANGE, B



TE Part #0413-214-1205  
SEALING PLUG, SIZE 12, KEYING, YEL



TE Part #HD10-6-12P  
DEUTSCH HD10 Housings



TE Part #967635-1  
2.0 KONT



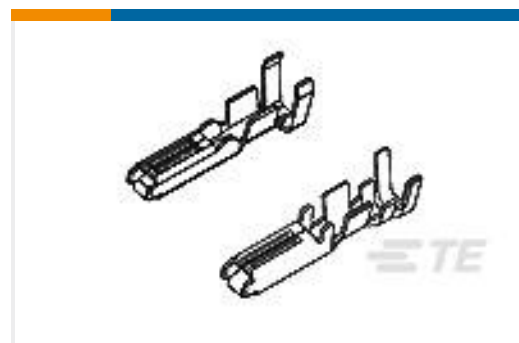
TE Part #HDP26-18-6SN  
PLG, 6P, BLK, N, 4/16, S



TE Part #1-963217-1  
16 J-P-T GEH KOMPL



TE Part #2-1534127-1  
AMP MCP 2.8 SOCKET HSG, 21POS.  
ASSY



TE Part #173631-2  
070 REC CONTRACT 20-16

## Documents

[Product Drawings](#)  
[SOK CONT, ECMSC](#)

English

[CAD Files](#)

[3D PDF](#)

[3D](#)

[Customer View Model](#)

[ENG\\_CVM\\_CVM\\_66773-3\\_Z.2d\\_dxf.zip](#)



English

Customer View Model

[ENG\\_CVM\\_CVM\\_66773-3\\_Z.3d\\_igs.zip](#)

English

Customer View Model

[ENG\\_CVM\\_CVM\\_66773-3\\_Z.3d\\_stp.zip](#)

English

By downloading the CAD file I accept and agree to the [Terms and Conditions](#) of use.

---

### Datasheets & Catalog Pages

[AMPSEAL Connector Catalog](#)

English

---

### Product Specifications

[Application Specification](#)

English