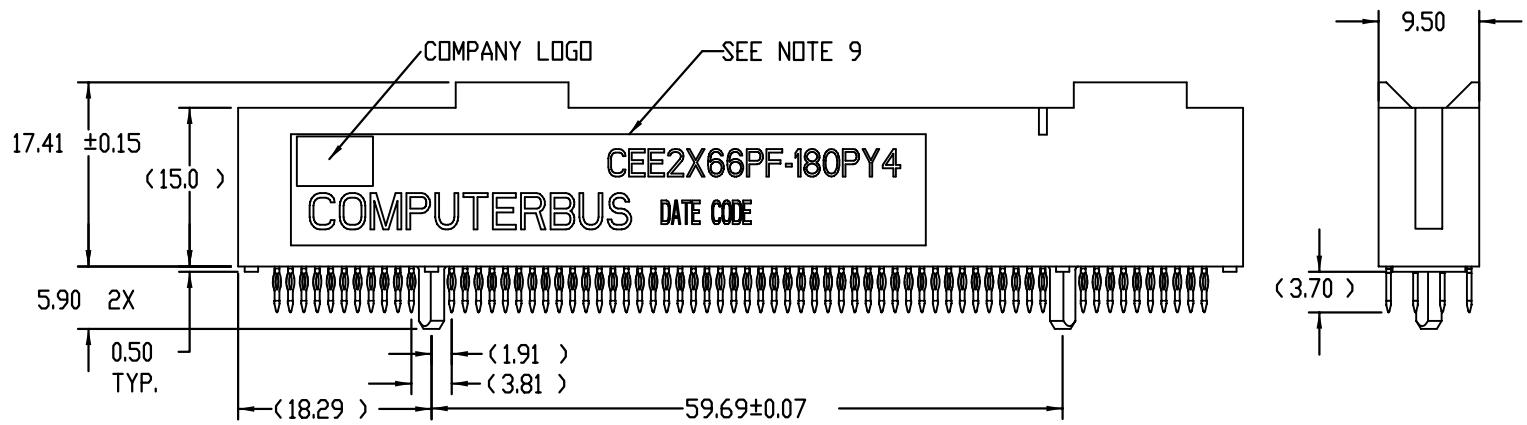
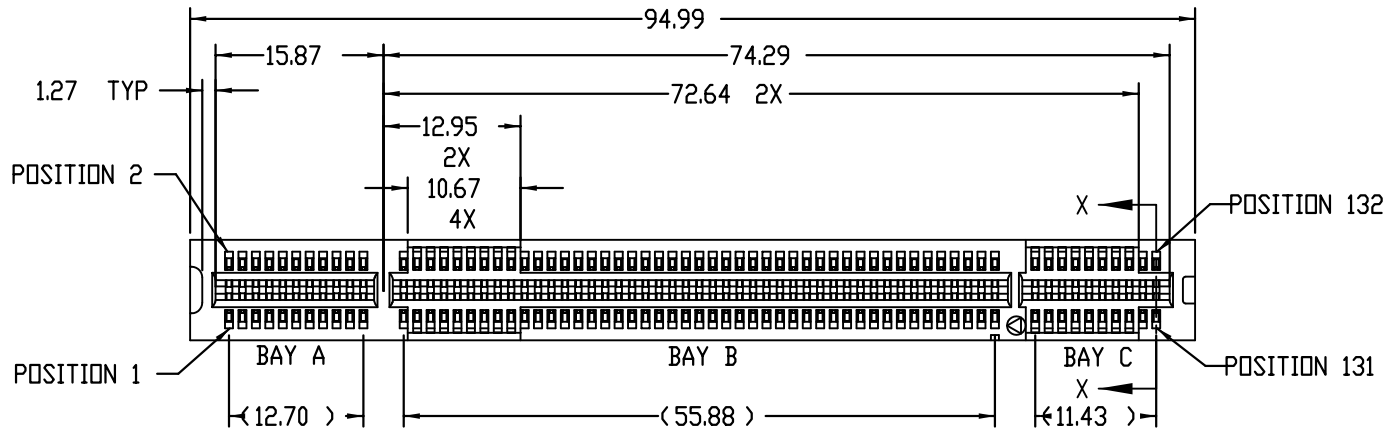


PRODUCT NUMBER
SEE TABLE

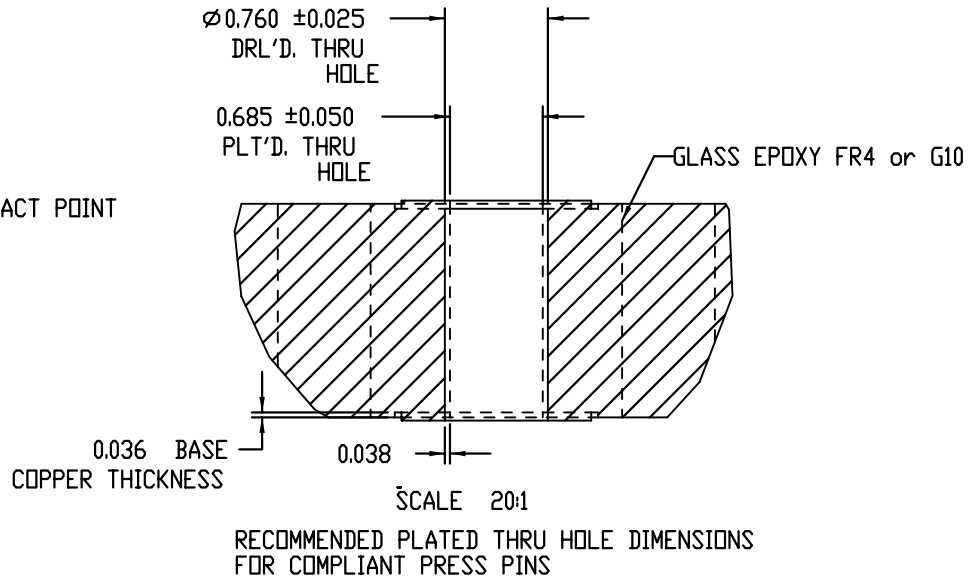
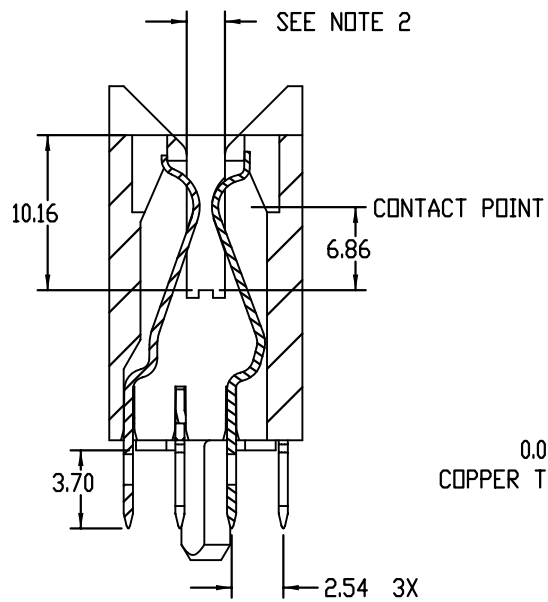


Copyright FCI

mat'l. code				surface ISO 1302	tolerance ISO 406 ISO 1101	projection MM	product family CARDEGE
ltr	ecn no	dr	date	tolerances unless otherwise specified		MM	title CEE 2X66 PF CONNECTOR ASSEMBLY
J	V11759	MEP	7/2/01	angles	linear	.X±.2 .XX±.10 .XXX±.050	scale 3:2
K	V12247	GIP	9/18/01	0°±1'			sheet 1 of 6 size A3
L	V04-1156	TAB	12/14/04				SE96028
M	V04-0075	ERE	04/25/05	dr	G. PETERS	9/20/01	type Product Customer Drawing
N	M05-0037	MHT	3/30/06	engr	D. CASEY	9/11/01	
P	M06-0234	AGS	16/15/06	chr	G. PETERS	9/20/01	
R	M08-0221	AGS	08/08/08	appd	D. CASEY	9/20/01	
sheet	revision	R	R	R	R	R	
index	sheet	1	2	3	4	5	6

form: A3

FCI CATALOG NO. F/CONNECTORS W/CARD COLLECTORS	CONNECTOR SIZE	NO. CONTACTS LOADED	TERMIN.	LOAD PATTERN	CONTACT PAIRS BAY A	CONTACT PAIRS BAY B	CONTACT PAIRS BAY C
CEE2X66PF-180PY4	2x66	132	P.F.	FULLY LOADED	11	45	10
CEE2X66PF-180PY4LF	2x66	132	P.F.	FULLY LOADED	11	45	10



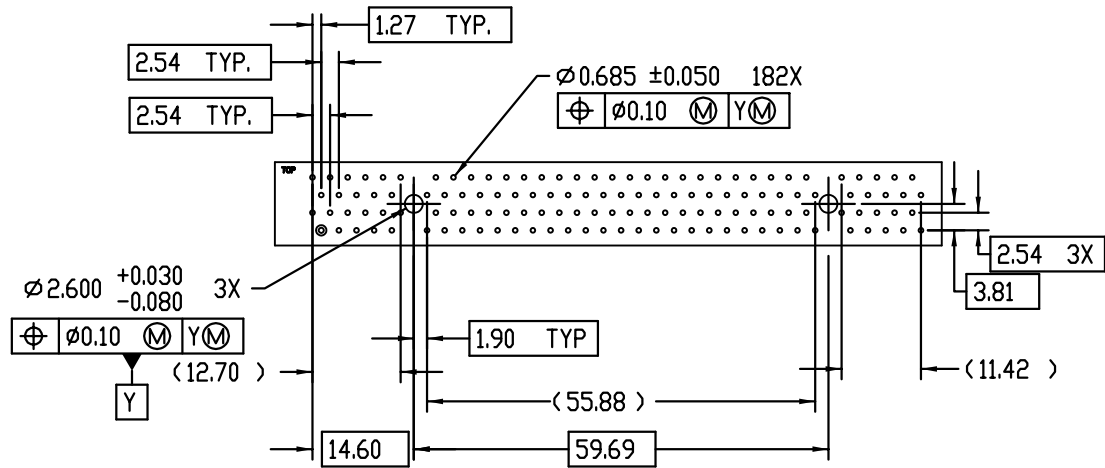
SECTION X-X

mat'l. code		surface	tolerance	projection	product family
ISO 1302		ISO 406	ISO 1101		CARDEDGE
ltr	ecr no	dr	date	title	
R				CEE 2X66 PF CONNECTOR ASSEMBLY	
		angles	linear	MM	scale 3:1
		0° ± 1°	.X ± .2 .XX ± .10 .XXX ± .050		
		dr	G. PETERS	9/20/01	dwg no
		enr	D. CASEY	9/11/01	sheet 2 of 6
		chr	G. PETERS	9/20/01	size
		appd	D. CASEY	9/20/01	A3
sheet index	revision sheet			type Product Customer Drawing	

FCI
FCIconnect.com

Copyright FCI

PRODUCT NUMBER
SEE TABLE



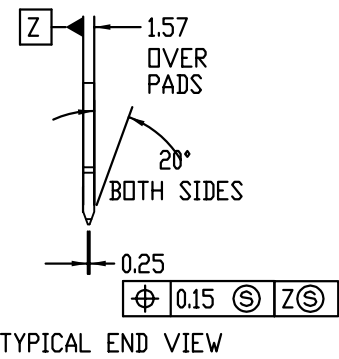
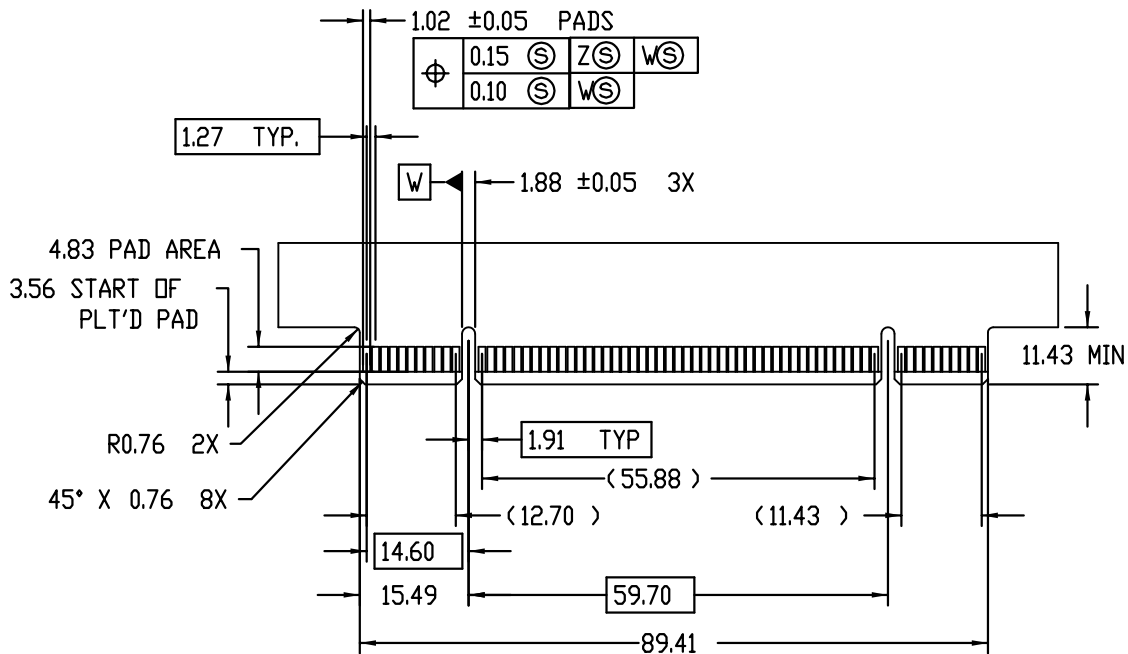
RECOMMEND BACKPLANE LAYOUT f/CEE2X66PF-180PY4 & CEE2X66PF-180PY4LF



Copyright FCJ

mat'l code		surface ISO 1302	tolerance ISO 406 ISO 1101	projection 	product family CARDEDGE	
ltr	ecn no	dr	date	tolerances unless otherwise specified	title	
R				angles linear 0° ± 1°	CEE 2X66 PF CONNECTOR ASSEMBLY	
				.X ± .2 .XX ± .10 .XXX ± .050	MM	
				scale 3:2	dwg no	
		dr	G. PETERS 9/20/01		sheet 3 of 6 size	
		engr	D. CASEY 9/11/01		SE96028	A3
		chr	G. PETERS 9/20/01		type Product Customer Drawing	
		appd	D. CASEY 9/20/01			
sheet index	revision sheet					

PRODUCT NUMBER
SEE TABLE



RECOMMENDED MATING COMPONENT PCB FOR CEE2X66PF-180PY4 & CEE2X66PF-180PY4LF



Copyright FCI

mat'l. code				surface ISO 1302	tolerance ISO 406 ISO 1101	projection 	product family CARDEGGE	
ltr	ecr no	dr	date	tolerances unless otherwise specified				title
R				angles	linear		CEE 2X66 PF CONNECTOR ASSEMBLY	
				0°±1°	.X±.2 .XX±.10 .XXX±.050	scale 3:2	dwg no SE96028	
				dr	G. PETERS	9/20/01	sheet 4 of 6 size	
				engr	D. CASEY	9/11/01	A3	
				chr	G. PETERS	9/20/01		
				appd	D. CASEY	9/20/01	type Product Customer Drawing	
sheet index	revision sheet							

PRODUCT NUMBER
SEE TABLE

NOTES:

1. INTERPRET THIS DRAWING IN ACCORDANCE WITH ANSI Y14.5M -1982.
2. CONNECTORS WITH CARD COLLECTING SCOOPS ARE DESIGNED TO ACCOMMODATE 1.57+/-0.180 PC BOARDS WITH WARPAGE UP TO +/-2.03.
3. RECOMMENDED COMPONENT BOARD MATERIAL:
P.C. BOARD:FR-4 WITH 28.35 GRAMS MIN. COPPER, PADS PLATED WITH .76 MICRONS MIN GOLD, PER MIL-G-45204, TYPE 1, CLASS 1, GRADE C OVER 2.54 MICRONS MIN NI. UNDERPLATE PER QQ-N-290.
4. RECOMMENDED BACK PLANE THICKNESS IS 2.39 FOR 3.71 COMPLIANT TAIL.
5. CONTACT MATING SURFACES ARE LUBRICATED WITH OS-138.
6. MATERIAL:

BODY: POLYPHTHALAMIDE (PPA) UL RATED 94V-0
COLOR, BLACK

CONTACTS: PHOS BRONZE

CONTACT FINISH:

MAYBE BE EITHER 30μ*(0.76μm) GOLD OR 30μ*(0.76μm) GXT PLATED AT MANUFACTURER'S OPTION IN CRITICAL CONTACT AREA.
1-3μm (39-118μ*) TIN-LEAD OVER 1.27μm(50μ*) NI UNDERPLATE ON CONTACT TAILS.

LEAD FREE OPTION:

MAYBE BE EITHER 30μ*(0.76μm) GOLD OR 30μ*(0.76μm) GXT PLATED AT MANUFACTURER'S OPTION IN CRITICAL CONTACT AREA.
1-3μm (39-118μ*) PURE TIN OVER 1.27μm(50μ*) NI UNDERPLATE ON CONTACT TAILS.

7. PERFORMANCE CHARACTERISTICS: SEE SHEET 7.
8. APPLICATION SPECIFICATION PER BUS-09-026.
9. ITEM NAME, LOGO, PART NUMBER, DATE CODE, AND UL SYMBOLS TO BE DISPLAYED IN THIS AREA.
10. LF SUFFIX AT THE END OF PART NUMBER IS LEAD FREE.
11. THIS PRODUCT MEETS EUROPEAN UNION DIRECTIVES AND OTHER COUNTRY REGULATION AS DESCRIBED IN GS-22-008.

mat'l. code		surface ISO 1302		tolerance ISO 406 ISO 1101		projection		product family CARDEGE	
ltr	ec'n no	dr	date	tolerances unless otherwise specified				title	
R				angles	linear			.X±.2 .XX±.10 .XXX±.050	
				0°±1°		MM		scale 1:2	
				dr		G. PETERS		9/20/01	
				enr		D. CASEY		9/11/01	
				chr		G. PETERS		9/20/01	
				appd		D. CASEY		9/20/01	
sheet		revision							
index		sheet							

PRODUCT NUMBER

SEE TABLE

PERFORMANCE CHARACTERISTICS:

ENVIRONMENTAL:

OPERATING TEMPERATURE: -40C TO 105C

THERMAL SHOCK: MIL-STD-1344, METHOD 1003.1-55C TO +85C, 5 CYCLES)

FLAMABILITY RATING: UL94V-0

MECHANICAL:

DURABILITY: 100 MATING CYCLES WITHOUT PHYSICAL DAMAGE, OR EXCEEDING LOW LEVEL CONTACT RESISTANCE REQUIREMENTS WHEN MATED WITH RECOMMENDED CARD.

CONTACT RETENTION: MIL-STD-1344, METHOD 2007.1, 4.4 N MIN.

MATING FORCE: MIL-STD-1344, METHOD 2013.1 2.0 N MAX. AVERAGE PER OPPOSING PAIR USING GAUGE PER MIL-STD-C-21097 WITH CARD PROFILE

CONTACT NORMAL FORCE: 0.72 N MINIMUM

PRESS FIT TERMINATION FORCES: INSERTION FORCE 70 N MAX. PER PIN
RETENTION FORCE 9 N MIN. PER PIN

ELECTRICAL:

CONTACT RESISTANCE: MIL-STD-1344, METHOD 3002-1, WITH 10 MILLIOHM MAX. INITIAL, 20 (LOW SIGNAL LEVEL) MILLIOHM RISE. COMPONENT BOARD SIDE - 1 MILLIOHM MAX., CONNECTION PRESS FIT PIN WITH w/PLATED THROUGH HOLE.

INSULATION RESISTANCE: MIL-STD-202, METHOD 302, CONDITION B, 1000 MEGOHMS MIN.

DIELECTRIC WITHSTAND VOLTAGE: MIL-STD-1344, METHOD D3001.1 CONDITION 1, 500 VAC RM

CAPACITANCE: 2 PICROFARADS, MAX AT 1 MEGAHERTZ

CURRENT RATING: 1 AMP, 30C RISE ABOVE AMBIENT

VOLTAGE RATING: 150 VAC (RMS)



Copyright FCJ

mat'l. code		surface	tolerance	projection	product family
		ISO 1302	ISO 406 ISO 1101		CARDEDGE
ltr	ec'n no	dr	date	title	
R				CEE 2X66 PF CONNECTOR ASSEMBLY	
		angles	linear	MM	
		0°±1°	.X±.2 .XX±.10 .XXX±.050	scale 1:2	
dr		G. PETERS	9/20/01		dwg no
engr		D. CASEY	9/11/01		sheet 6 of 6 size
chr		G. PETERS	9/20/01		SE96028
appd		D. CASEY	9/20/01		A3
sheet	revision			type	Product Customer Drawing
index	sheet				