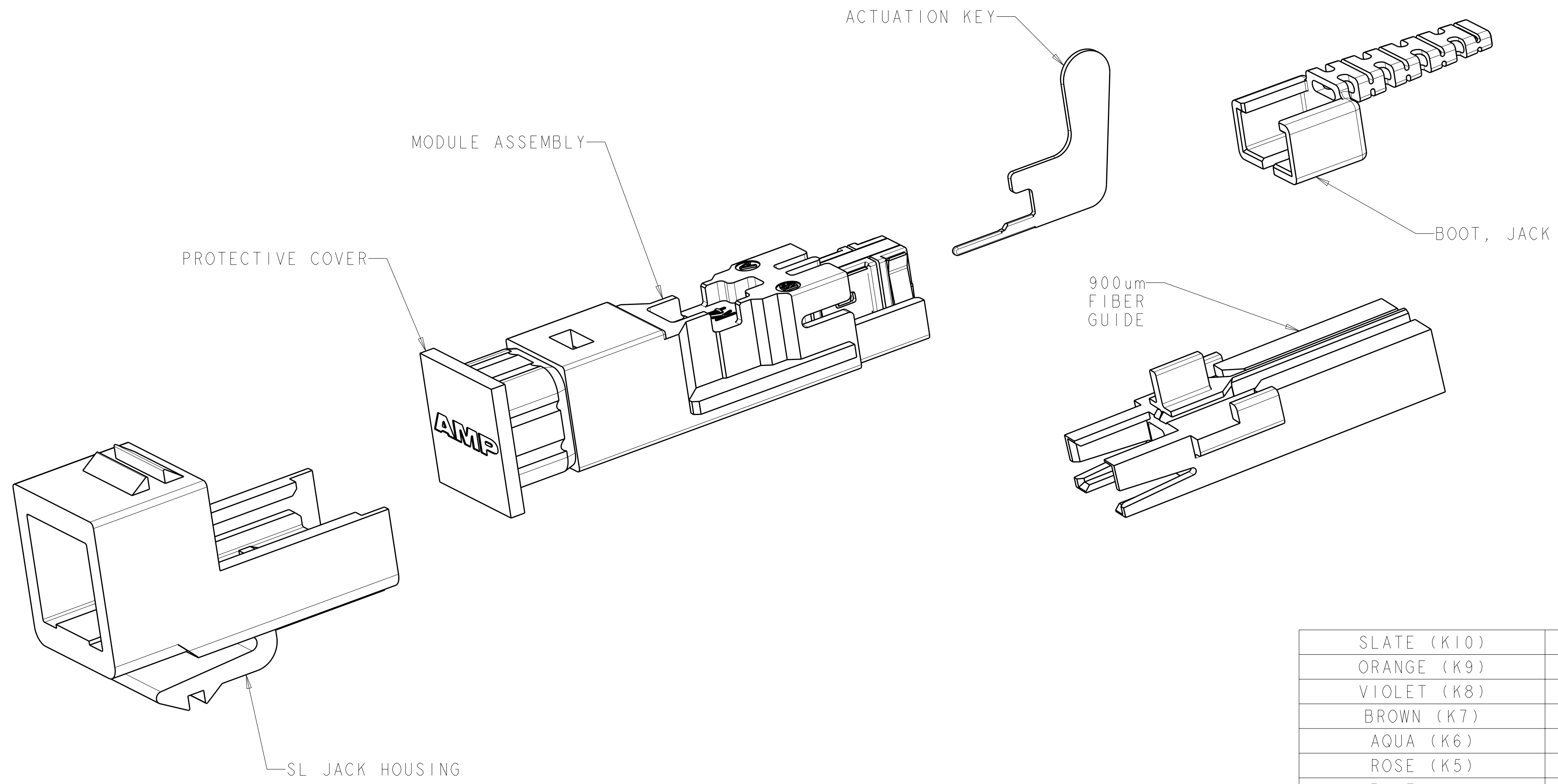



THIS DRAWING IS UNPUBLISHED. RELEASED FOR PUBLICATION
 © COPYRIGHT 20 BY - ALL RIGHTS RESERVED.

LOC	DIST	REVISIONS			
P	LTR	DESCRIPTION	DATE	DWN	APVD
CE	00	AI	REVISED PER ECO-11-005027	18MAR2011	RK HMR

1. INSURE THAT THE WALL BOX IS AT LEAST 50.8mm (2.0 INCHES) DEEP,
 WHEN INSTALLING MT-RJ WORKSTATION JACK KIT.



SLATE (K10)	1-6278810-0
ORANGE (K9)	6278810-9
VIOLET (K8)	6278810-8
BROWN (K7)	6278810-7
AQUA (K6)	6278810-6
ROSE (K5)	6278810-5
BLUE (K4)	6278810-4
GREEN (K3)	6278810-3
YELLOW (K2)	6278810-2
RED (K1)	6278810-1
DESCRIPTION	PART NUMBER

THIS DRAWING IS A CONTROLLED DOCUMENT.		DWN B. BRIGGS 02NOV2005	 TE Connectivity	
DIMENSIONS: mm		CHK D. KIRSCH 02NOV2005		
TOLERANCES UNLESS OTHERWISE SPECIFIED:		APVD S. BUCHTER 02NOV2005	NAME MT-RJ SECURE WORKSTATION JACK KIT, 62.5/125, 900um	
0 PLC ± 1 PLC ± 2 PLC ± 3 PLC ± 4 PLC ± ANGLES ± FINISH		PRODUCT SPEC -	RESTRICTED TO -	
MATERIAL -		APPLICATION SPEC -	SIZE A2	CAGE CODE 00779
		WEIGHT -	DRAWING NO 6278810	REV A1
		CUSTOMER DRAWING	SCALE 7:2	SHEET 1 OF 1