

Evaluation Board for the $\pm 300^\circ/\text{sec}$, Single-Axis Digital Output Rate Gyroscope

GENERAL DESCRIPTION

The EVAL-ADXRS450Z-V is a simple breakout board that facilitates quick evaluation of the performance of the [ADXRS450](#) $\pm 300^\circ/\text{sec}$ digital output single-axis rate gyroscope in an SMT-compatible vertical mount package.

The EVAL-ADXRS450Z-V has two sets of 5-lead, 0.1-inch pin spacing headers that allow electrical connections to be made between the ADXRS450 and the existing system. Four mounting holes are also provided for mechanical attachment of the EVAL-ADXRS450Z-V to the application. An external host processor is required for communication to the ADXRS450 gyroscope.

The dimensions of the EVAL-ADXRS450Z-V are 1.3 inch \times 1.3 inch (33 mm \times 33 mm) with two sets of mounting holes. The outer set of holes is 0.125 inch (3.175 mm) in diameter and arranged in a 0.945 inch \times 0.945 inch (24 mm \times 24 mm) square around the center of the printed circuit board (PCB). The inner set of mounting holes are 0.120 inch (3.05 mm) in diameter and arranged in a 0.575 inch \times 0.575 inch (14.6 mm \times 14.6 mm) square around the center of the PCB.

CIRCUIT DESCRIPTION

The board layout and schematic of the EVAL-ADXRS450Z-V are shown in Figure 1 and Figure 2, respectively. A list of parts that are populated on the board is shown in Table 1.

Pin names are indicated on the schematics and board layout, as well as on the board itself, for easy identification. For additional information, refer to the ADXRS450 data sheet.

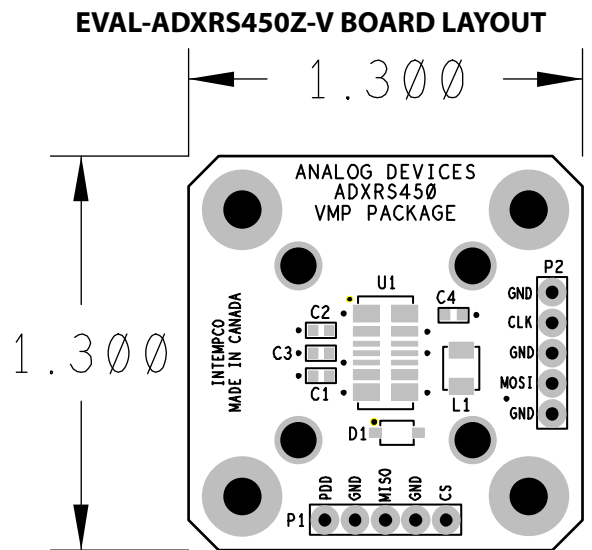


Figure 1.

TABLE OF CONTENTS

General Description	1	Evaluation Board Schematic	3
Circuit Description.....	1	Components listing	4
EVAL-ADXRS450Z-V Board Layout.....	1	Special Notes on Handling.....	4
Revision History	2		

REVISION HISTORY

3/11—Revision 0: Initial Version

EVALUATION BOARD SCHEMATIC

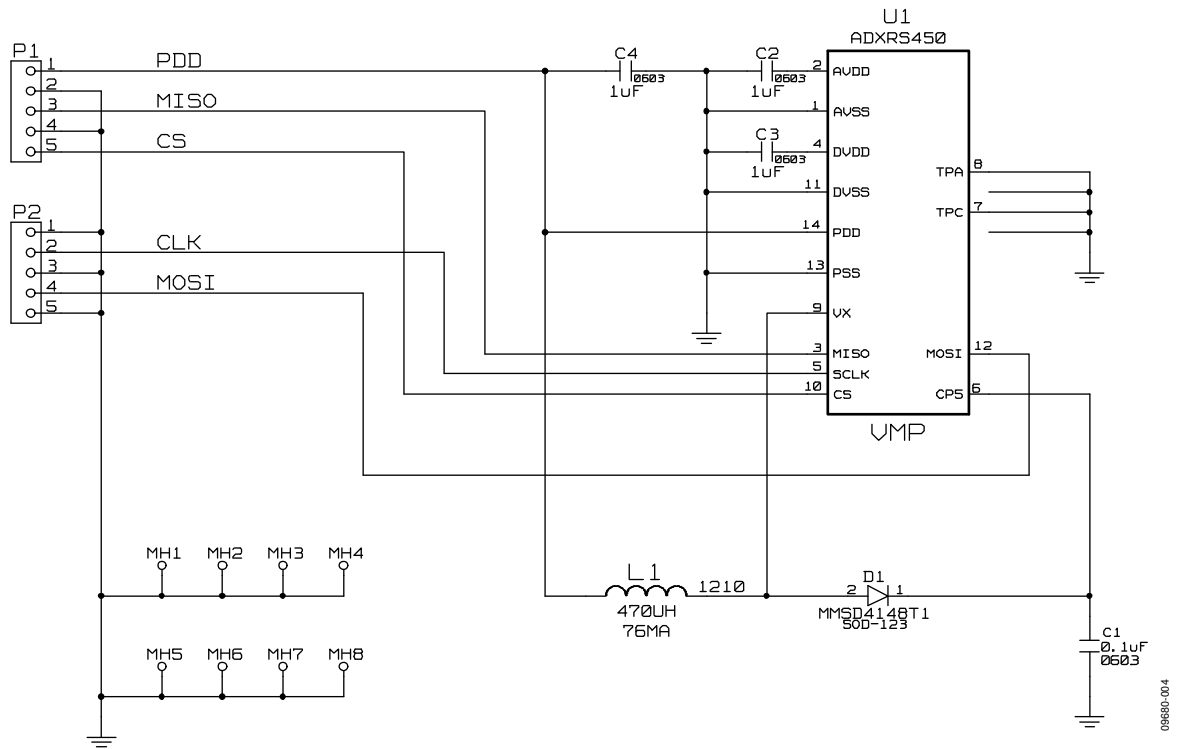


Figure 2. EVAL-ADXRS450Z-V Schematic

COMPONENTS LISTING

See Table 1 for the parts list for the EVAL-ADXR450Z-V. Note that these parts are factory-installed.

SPECIAL NOTES ON HANDLING

Note that the EVAL-ADXR450Z-V is not reverse polarity-protected. Reversing the power supply or applying inappropriate voltages to any pin (outside the Absolute Maximum Ratings listed in the ADXR450 data sheet) may damage the EVAL-ADXR450Z-V.

Table 1. EVAL-ADXR450Z-V Parts List

Reference Designator	Value	Package
U1	ADXR450BEYZ	LCC_V
C1	0.1 μ F	0603
C2	1 μ F	0603
C3	1 μ F	0603
C4	1 μ F	0603
L1	470 μ H	1210
D1	MMSD4148T1	SOD-123

**ESD Caution**

ESD (electrostatic discharge) sensitive device. Charged devices and circuit boards can discharge without detection. Although this product features patented or proprietary protection circuitry, damage may occur on devices subjected to high energy ESD. Therefore, proper ESD precautions should be taken to avoid performance degradation or loss of functionality.

Legal Terms and Conditions

By using the evaluation board discussed herein (together with any tools, components documentation or support materials, the "Evaluation Board"), you are agreeing to be bound by the terms and conditions set forth below ("Agreement") unless you have purchased the Evaluation Board, in which case the Analog Devices Standard Terms and Conditions of Sale shall govern. Do not use the Evaluation Board until you have read and agreed to the Agreement. Your use of the Evaluation Board shall signify your acceptance of the Agreement. This Agreement is made by and between you ("Customer") and Analog Devices, Inc. ("ADI"), with its principal place of business at One Technology Way, Norwood, MA 02062, USA. Subject to the terms and conditions of the Agreement, ADI hereby grants to Customer a free, limited, personal, temporary, non-exclusive, non-sublicensable, non-transferable license to use the Evaluation Board FOR EVALUATION PURPOSES ONLY. Customer understands and agrees that the Evaluation Board is provided for the sole and exclusive purpose referenced above, and agrees not to use the Evaluation Board for any other purpose. Furthermore, the license granted is expressly made subject to the following additional limitations: Customer shall not (i) rent, lease, display, sell, transfer, assign, sublicense, or distribute the Evaluation Board; and (ii) permit any Third Party to access the Evaluation Board. As used herein, the term "Third Party" includes any entity other than ADI, Customer, their employees, affiliates and in-house consultants. The Evaluation Board is NOT sold to Customer; all rights not expressly granted herein, including ownership of the Evaluation Board, are reserved by ADI. CONFIDENTIALITY. This Agreement and the Evaluation Board shall all be considered the confidential and proprietary information of ADI. Customer may not disclose or transfer any portion of the Evaluation Board to any other party for any reason. Upon discontinuation of use of the Evaluation Board or termination of this Agreement, Customer agrees to promptly return the Evaluation Board to ADI. ADDITIONAL RESTRICTIONS. Customer may not disassemble, decompile or reverse engineer chips on the Evaluation Board. Customer shall inform ADI of any occurred damages or any modifications or alterations it makes to the Evaluation Board, including but not limited to soldering or any other activity that affects the material content of the Evaluation Board. Modifications to the Evaluation Board must comply with applicable law, including but not limited to the RoHS Directive. TERMINATION. ADI may terminate this Agreement at any time upon giving written notice to Customer. Customer agrees to return to ADI the Evaluation Board at that time. LIMITATION OF LIABILITY. THE EVALUATION BOARD PROVIDED HEREUNDER IS PROVIDED "AS IS" AND ADI MAKES NO WARRANTIES OR REPRESENTATIONS OF ANY KIND WITH RESPECT TO IT. ADI SPECIFICALLY DISCLAIMS ANY REPRESENTATIONS, ENDORSEMENTS, GUARANTEES, OR WARRANTIES, EXPRESS OR IMPLIED, RELATED TO THE EVALUATION BOARD INCLUDING, BUT NOT LIMITED TO, THE IMPLIED WARRANTY OF MERCHANTABILITY, TITLE, FITNESS FOR A PARTICULAR PURPOSE OR NON-INFRINGEMENT OF INTELLECTUAL PROPERTY RIGHTS. IN NO EVENT WILL ADI AND ITS LICENSORS BE LIABLE FOR ANY INCIDENTAL, SPECIAL, INDIRECT, OR CONSEQUENTIAL DAMAGES RESULTING FROM CUSTOMER'S POSSESSION OR USE OF THE EVALUATION BOARD, INCLUDING BUT NOT LIMITED TO LOST PROFITS, DELAY COSTS, LABOR COSTS OR LOSS OF GOODWILL. ADI'S TOTAL LIABILITY FROM ANY AND ALL CAUSES SHALL BE LIMITED TO THE AMOUNT OF ONE HUNDRED US DOLLARS (\$100.00). EXPORT. Customer agrees that it will not directly or indirectly export the Evaluation Board to another country, and that it will comply with all applicable United States federal laws and regulations relating to exports. GOVERNING LAW. This Agreement shall be governed by and construed in accordance with the substantive laws of the Commonwealth of Massachusetts (excluding conflict of law rules). Any legal action regarding this Agreement will be heard in the state or federal courts having jurisdiction in Suffolk County, Massachusetts, and Customer hereby submits to the personal jurisdiction and venue of such courts. The United Nations Convention on Contracts for the International Sale of Goods shall not apply to this Agreement and is expressly disclaimed.