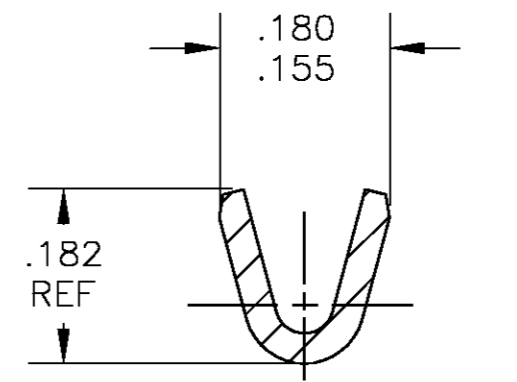
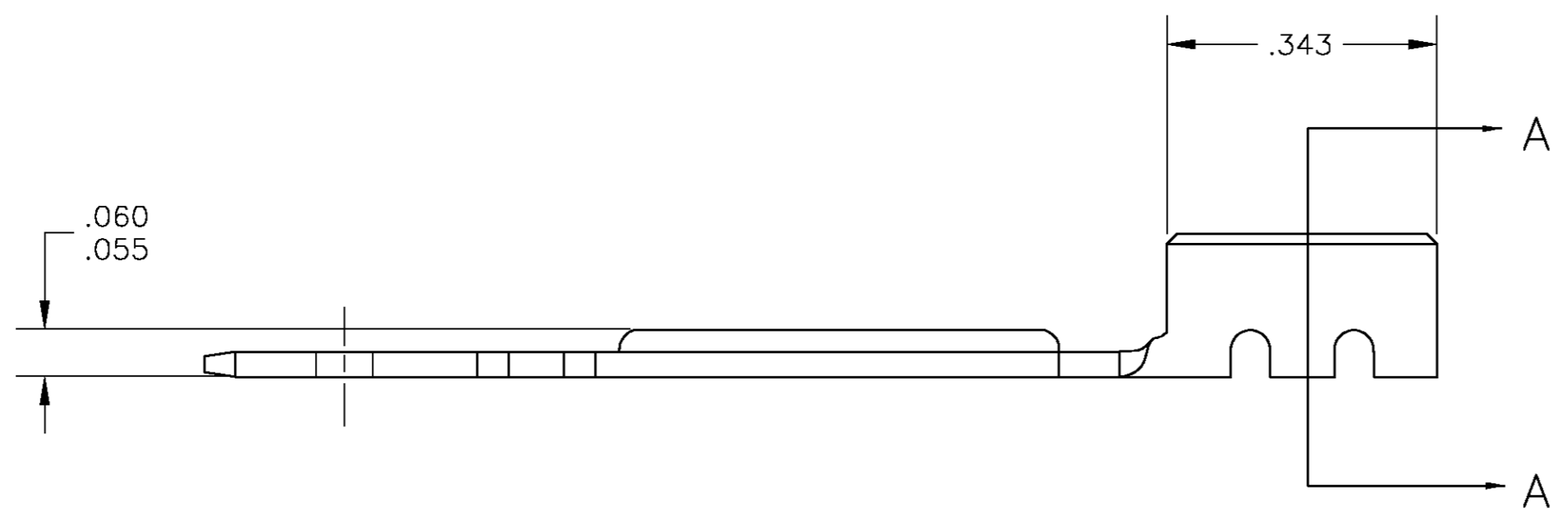
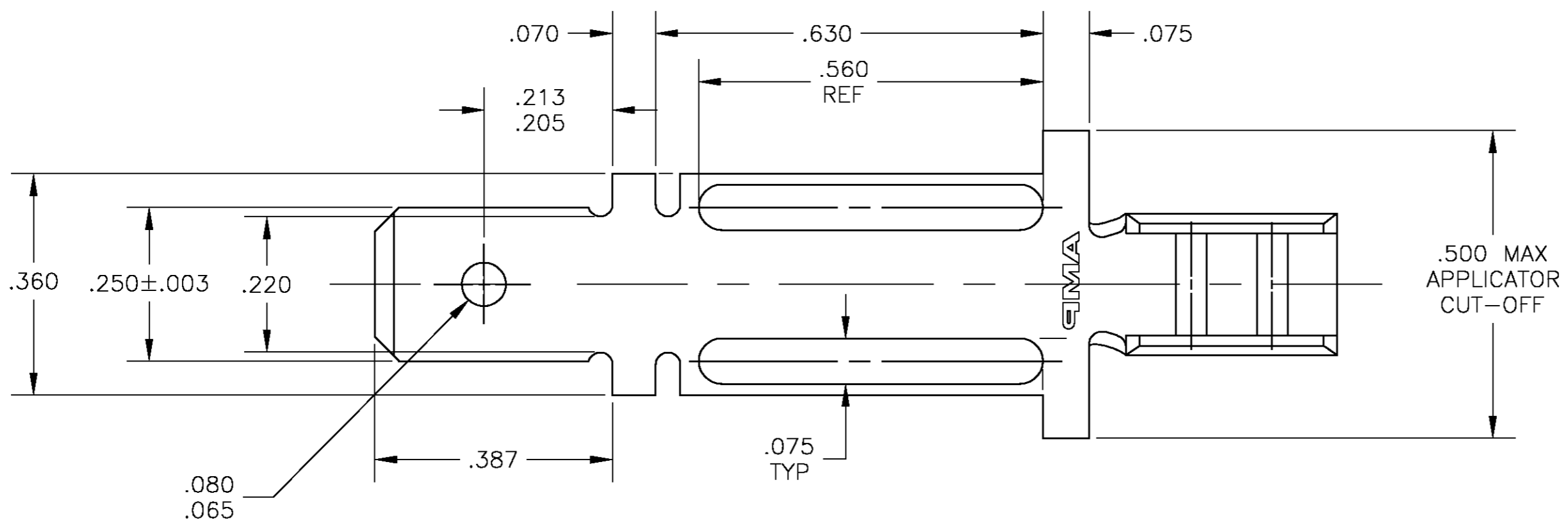


THIS DRAWING IS UNPUBLISHED. RELEASED FOR PUBLICATION
 © COPYRIGHT BY TYCO ELECTRONICS CORPORATION. ALL RIGHTS RESERVED.

LOC	DIST	REVISIONS			
P	LTR	DESCRIPTION	DATE	DWN	APVD
AF	50	D	REV PER 0G3A-0185-03	24MAR03	JR PD

- 1 CONTINUOUS STRIP ON REELS
- 2 WIRE SIZE IS 20-15
- 3 SEE SHEET 2 FOR SUGGESTED LOCKING IN CERAMIC.



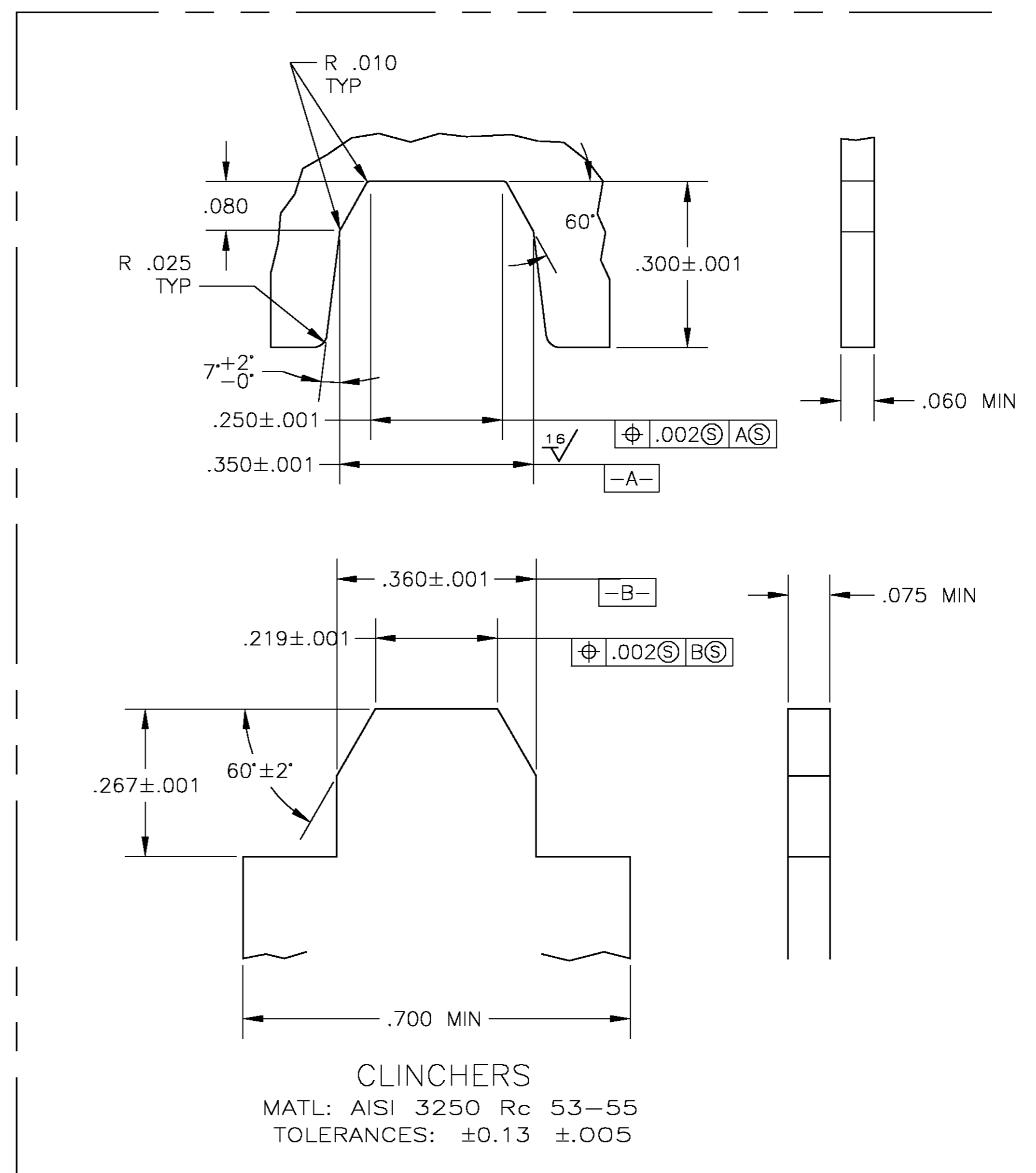
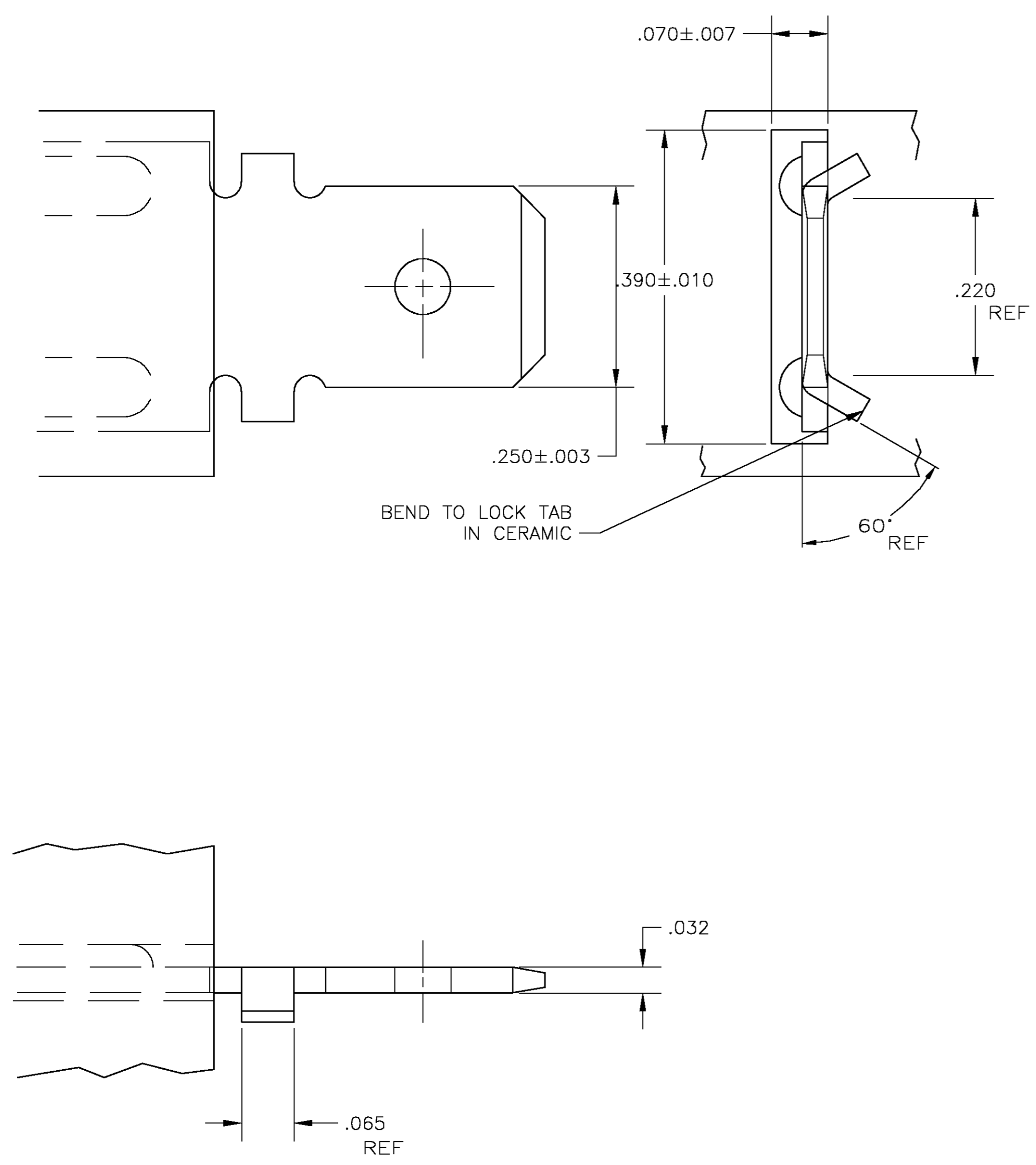
SECTION A-A

1217918-1
PART NO

THIS DRAWING IS A CONTROLLED DOCUMENT.		DWN	JR RUTH	27JAN03	Tyco Electronics Corporation Harrisburg, PA 17105
DIMENSIONS: INCHES		CHK	P DESANTIS	27JAN03	
TOLERANCES UNLESS OTHERWISE SPECIFIED:		APVD	P DESANTIS	27JAN03	
0 PLC ± - 1 PLC ± - 2 PLC ± - 3 PLC ± .010 4 PLC ± - ANGLES ± 1°		NAME		TAB, .250 SERIES FOR NI-CHROME WIRE	
MATERIAL	CR STEEL, T2	FINISH	.000100 MIN NICKEL	WEIGHT	-
CUSTOMER DRAWING		SCALE	5:1	SHEET	1 OF 2
		SIZE	A2	CAGE CODE	00779
		DRAWING NO	C=1217918		RESTRICTED TO
		REV	D		

THIS DRAWING IS UNPUBLISHED. RELEASED FOR PUBLICATION
 © COPYRIGHT BY TYCO ELECTRONICS CORPORATION. ALL RIGHTS RESERVED.

LOC		DIST		REVISIONS			
P	LTR	DESCRIPTION	DATE	DWN	APVD		
AF	50						
		D	SEE SHEET 1				

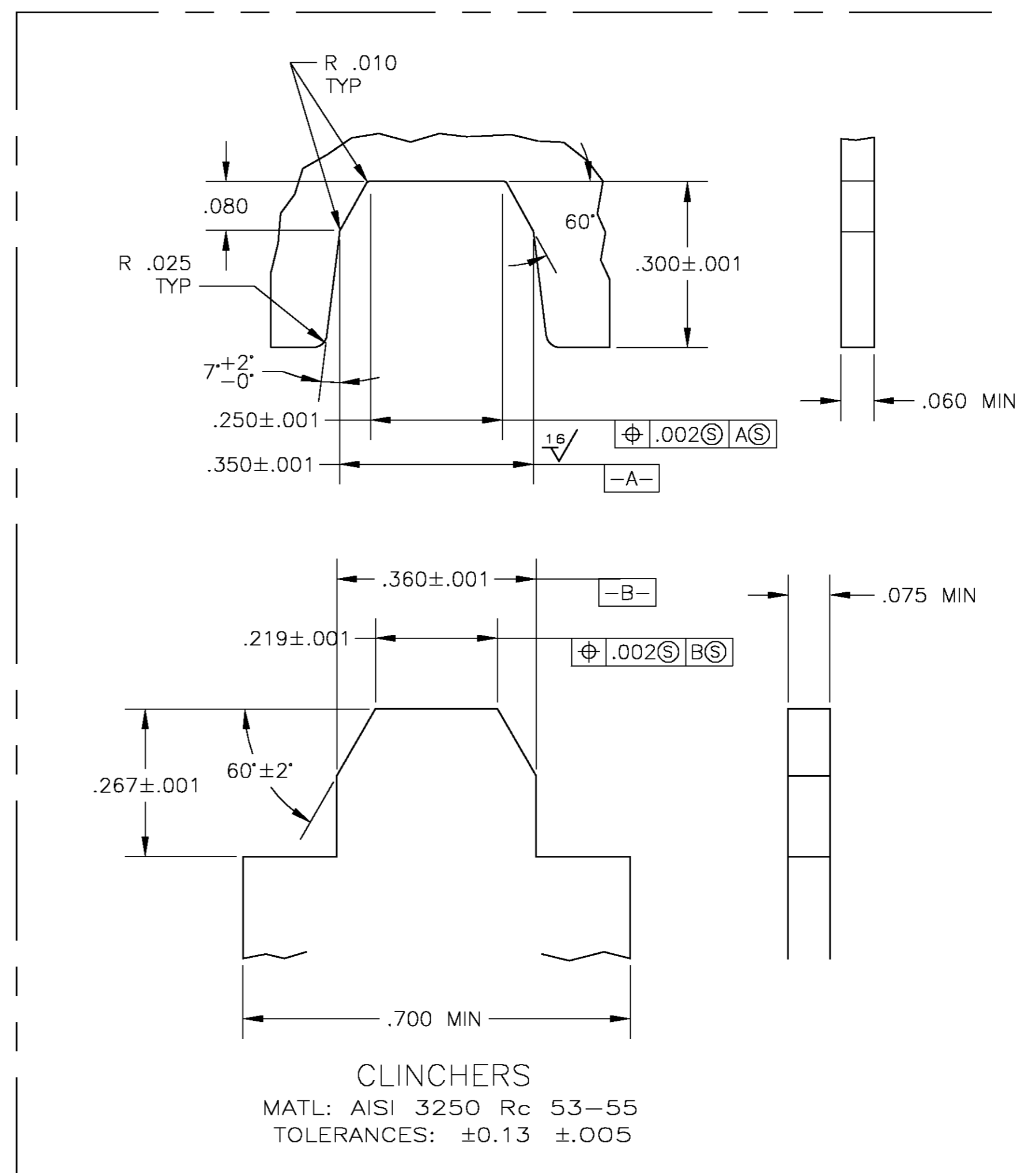
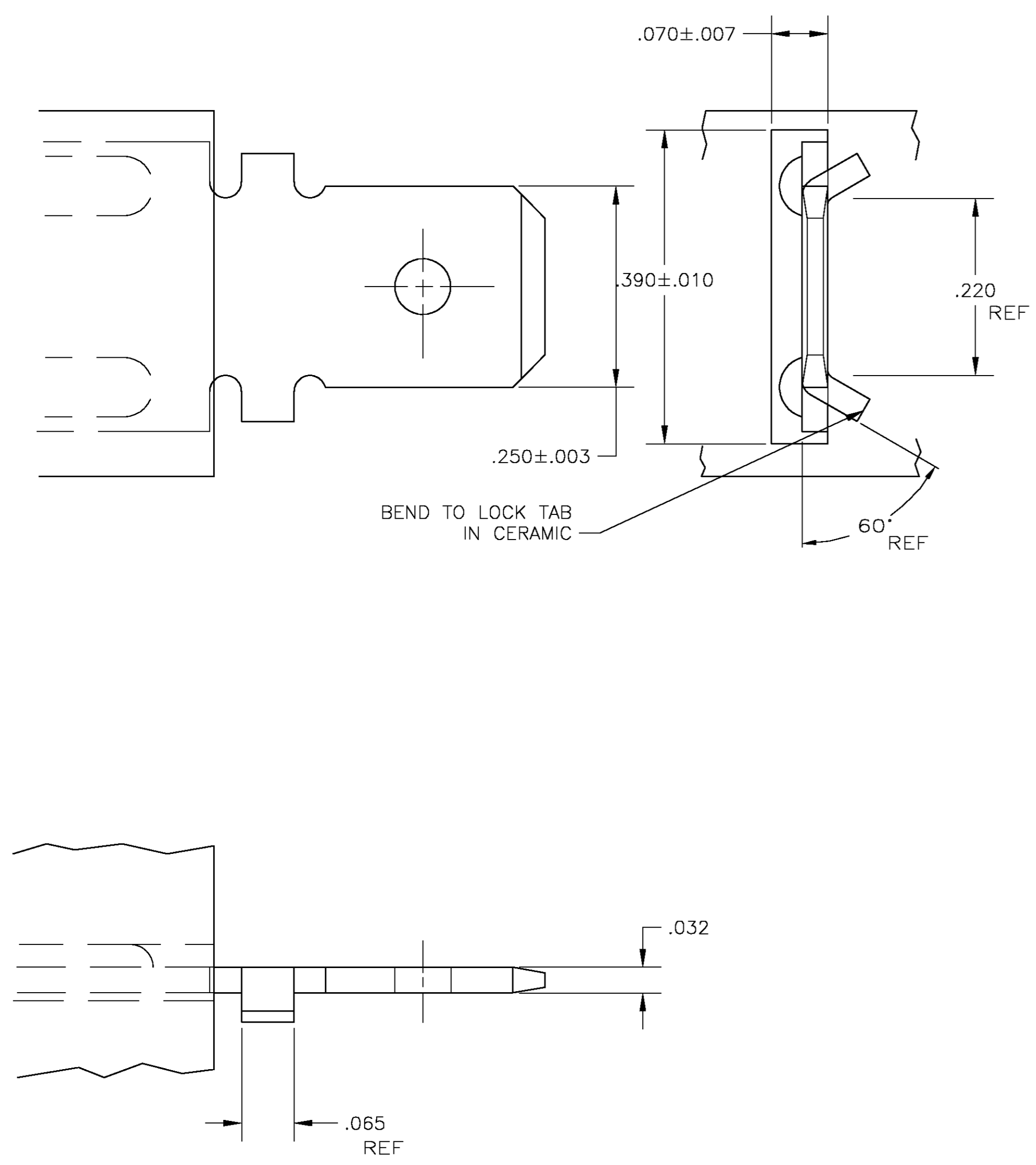


THIS DRAWING IS A CONTROLLED DOCUMENT.		DWN	JR RUTH	27JAN03	 Tyco Electronics Corporation Harrisburg, PA 17105																				
DIMENSIONS: INCHES		CHK	P DESANTIS	27JAN03																					
TOLERANCES UNLESS OTHERWISE SPECIFIED:		APVD	P DESANTIS	27JAN03																					
<table border="1"> <tr><td>0 PLC</td><td>±</td><td>-</td></tr> <tr><td>1 PLC</td><td>±</td><td>-</td></tr> <tr><td>2 PLC</td><td>±</td><td>-</td></tr> <tr><td>3 PLC</td><td>±</td><td>.010</td></tr> <tr><td>4 PLC</td><td>±</td><td>-</td></tr> <tr><td>ANGLES</td><td>±</td><td>-</td></tr> <tr><td>FINISH</td><td></td><td></td></tr> </table>		0 PLC	±	-		1 PLC	±	-	2 PLC	±	-	3 PLC	±	.010	4 PLC	±	-	ANGLES	±	-	FINISH			PRODUCT SPEC	
0 PLC	±	-																							
1 PLC	±	-																							
2 PLC	±	-																							
3 PLC	±	.010																							
4 PLC	±	-																							
ANGLES	±	-																							
FINISH																									
MATERIAL: CRS		APPLICATION SPEC	114-2097		NAME	TAB, NI-CHROME WIRE, .250 SERIES																			
		WEIGHT	-		SIZE	A2																			
		FINISH	NICKEL		CAGE CODE	00779																			
		CUSTOMER DRAWING		SCALE	8:1	DRAWING NO																			
				SHEET	2	OF																			
				REV	2	D																			

1217918

THIS DRAWING IS UNPUBLISHED. RELEASED FOR PUBLICATION
 © COPYRIGHT BY TYCO ELECTRONICS CORPORATION. ALL RIGHTS RESERVED.

LOC		DIST		REVISIONS			
P	LTR	DESCRIPTION	DATE	DWN	APVD		
AF	50						
		D	SEE SHEET 1				



THIS DRAWING IS A CONTROLLED DOCUMENT.		DWN	JR RUTH	27JAN03	 Tyco Electronics Corporation Harrisburg, PA 17105													
DIMENSIONS: INCHES		CHK	P DESANTIS	27JAN03														
TOLERANCES UNLESS OTHERWISE SPECIFIED:		APVD	P DESANTIS	27JAN03														
<table border="1"> <tr><td>0 PLC</td><td>± -</td></tr> <tr><td>1 PLC</td><td>± -</td></tr> <tr><td>2 PLC</td><td>± -</td></tr> <tr><td>3 PLC</td><td>± .010</td></tr> <tr><td>4 PLC</td><td>± -</td></tr> <tr><td>ANGLES</td><td>± -</td></tr> <tr><td>FINISH</td><td>± -</td></tr> </table>		0 PLC	± -	1 PLC		± -	2 PLC	± -	3 PLC	± .010	4 PLC	± -	ANGLES	± -	FINISH	± -	PRODUCT SPEC	
0 PLC	± -																	
1 PLC	± -																	
2 PLC	± -																	
3 PLC	± .010																	
4 PLC	± -																	
ANGLES	± -																	
FINISH	± -																	
MATERIAL: CRS		FINISH	NICKEL		NAME: TAB, NI-CHROME WIRE, .250 SERIES													
<table border="1"> <tr><td>SIZE</td><td>A2</td></tr> <tr><td>CAGE CODE</td><td>00779</td></tr> <tr><td>DRAWING NO</td><td>C=1217918</td></tr> <tr><td>RESTRICTED TO</td><td>-</td></tr> </table>		SIZE	A2	CAGE CODE	00779	DRAWING NO	C=1217918	RESTRICTED TO	-	APPLICATION SPEC	114-2097							
SIZE	A2																	
CAGE CODE	00779																	
DRAWING NO	C=1217918																	
RESTRICTED TO	-																	
CUSTOMER DRAWING		WEIGHT	-		SCALE: 8:1													
		SHEET	2	OF	2													
		REV	D															

1217918