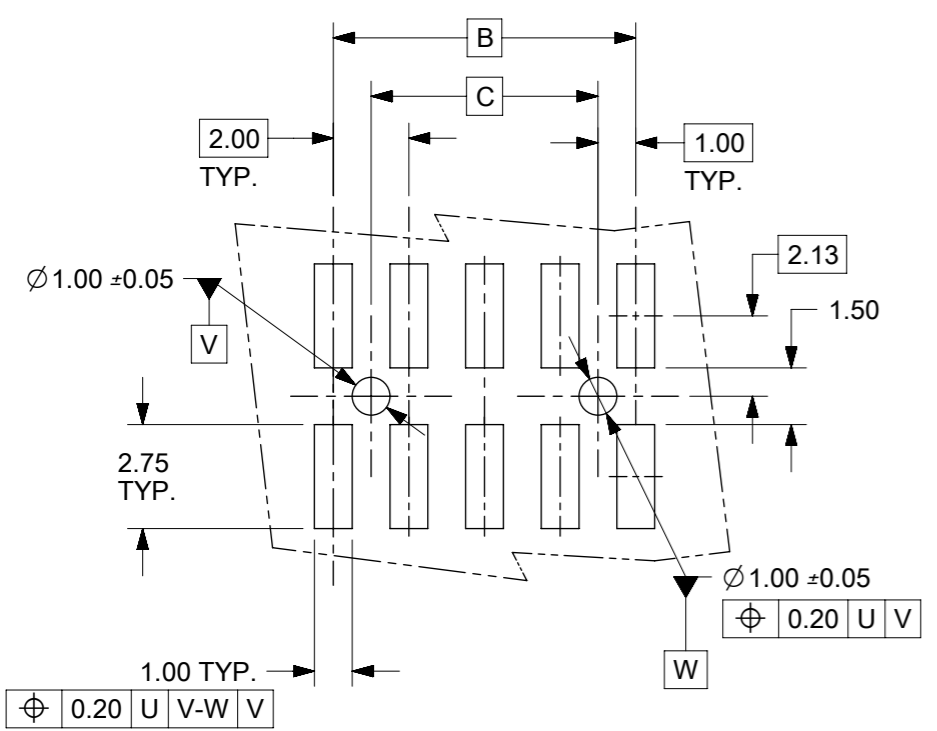
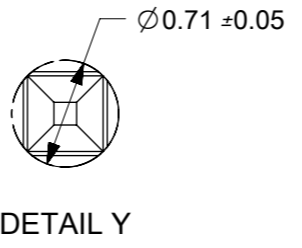
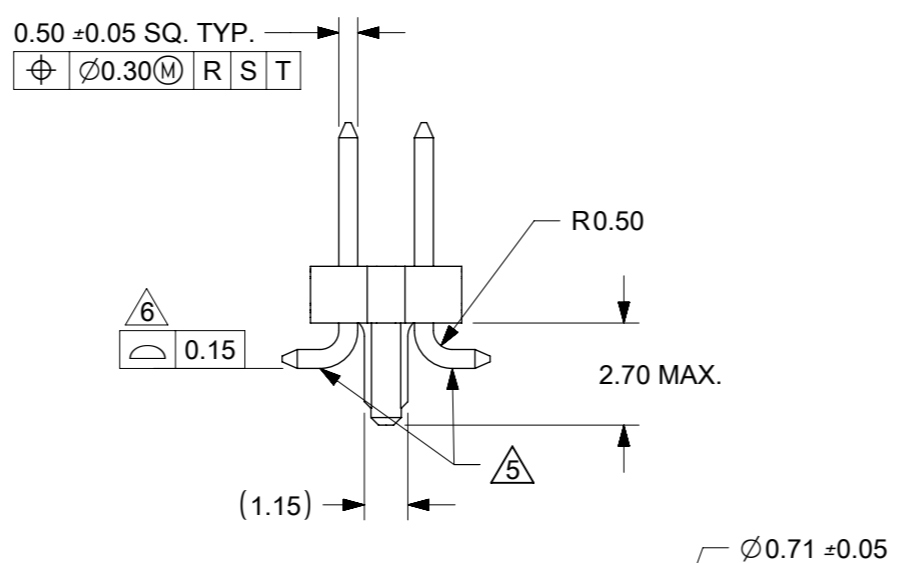
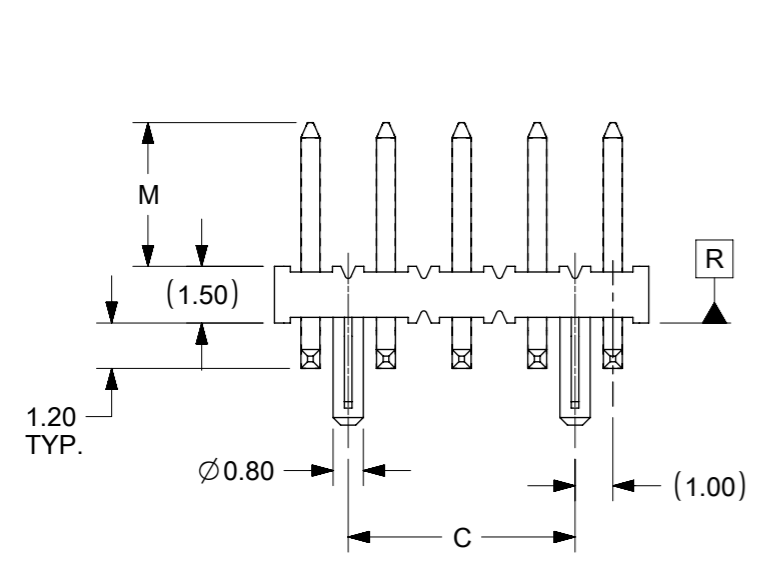


- NOTE:**
- MATERIAL:**
HSG - HIGH TEMPERATURE THERMOPLASTIC, UL 94V-0, COLOUR BLACK
PIN - 0.50 SQ. PHOSPHOR BRONZE
 - PLATING:**
 - **50 / **52 - 0.38 μ m MIN. GOLD PLATE AT CONTACT AREA, TIN PLATE AT SOLDER AREA, BOTH OVER NICKEL UNDERPLATE
 - **51 - 0.76 μ m MIN. GOLD PLATE AT CONTACT AREA, TIN PLATE AT SOLDER AREA, BOTH OVER NICKEL UNDERPLATE
 - **77 - 0.05-0.25 μ m GOLD PLATE AT CONTACT AREA, TIN PLATE AT SOLDER AREA, BOTH OVER NICKEL UNDERPLATE
 - (** - REPRESENTS DIFFERENT CKT SIZE, SEE TABLE AT SHT 2)
 - PIN PUSHOUT FORCE:** 1kg MIN. IN EITHER DIRECTION.
 - PRODUCT SPEC** PS-87761-100 APPLIES.
 - BEND DEPRESSION** IS ACCEPTABLE SO LONG AS IT DOES NOT AFFECT THE OVERALL COPLANARITY OF TAIL.
 - COPLANARITY** IS TO BE MEASURED BY RESTING THE SOLDER TAIL ON A FLAT SURFACE.
 - FOR ILLUSTRATION PURPOSES, 10CKT IS SHOWN
 - TUBE LENGTH IS 560mm REF. STANDARD.
 - RECOMMENDED PCB BOARD THK IS 1.60 \pm 0.10mm.



THIS DRAWING CONTAINS INFORMATION THAT IS PROPRIETARY TO MOLEX ELECTRONIC TECHNOLOGIES, LLC AND SHOULD NOT BE USED WITHOUT WRITTEN PERMISSION										
DIMENSION UNITS		SCALE		CURRENT REV DESC: REMASTERED IN NX						
mm		NTS								
GENERAL TOLERANCES (UNLESS SPECIFIED)										
		MM	INCH	EC NO: 172192 DRWN: NVELUSAMY 2017/12/28 CHK'D: CD 2018/07/18 APPR: GGA 2018/07/19						
4 PLACES		\pm	\pm	CUSTOMER						
3 PLACES		\pm	\pm	MGRID, 2MM DUAL ROW HDR WITH PEG, SMT						
2 PLACES		\pm 0.2	\pm	PRODUCT CUSTOMER DRAWING						
1 PLACE		\pm	\pm	INITIAL REVISION:						
0 PLACES		\pm	\pm	DRWN: KSEE 2003/12/24		DOC TYPE		DOC PART		REVISION
ANGULAR TOL		\pm 3.0°		APPR: SKTOH 2004/01/12		SD-87759-113		PSD	001	B4
DRAFT WHERE APPLICABLE MUST REMAIN WITHIN DIMENSIONS				THIRD ANGLE PROJECTION	DRAWING	SERIES	MATERIAL NUMBER	CUSTOMER		SHEET NUMBER
					A3-SIZE	87759	SEE TABLE	GENERAL MARKET		1 OF 2

PART NUMBER WITHOUT CAP IN TUBE	CKT SIZE	A	B	C	M
87759-0850/0851	08	7.90	6.00	4.00	3.80
87759-0852	08	7.90	6.00	4.00	9.60
87759-1050/1051	10	9.90	8.00	6.00	3.80
87759-1250/1251	12	11.90	10.00	8.00	3.80
87759-1450/1451	14	13.90	12.00	10.00	3.80
87759-1650/1651	16	15.90	14.00	12.00	3.80
87759-1850/1851	18	17.90	16.00	14.00	3.80
87759-2050/2051	20	19.90	18.00	16.00	3.80
87759-2250/2251	22	21.90	20.00	18.00	3.80
87759-2450/2451	24	23.90	22.00	20.00	3.80
87759-2650/2651	26	25.90	24.00	22.00	3.80
87759-2850/2851	28	27.90	26.00	24.00	3.80
87759-3050/3051	30	29.90	28.00	26.00	3.80
87759-3250/3251	32	31.90	30.00	28.00	3.80
87759-3450/3451	34	33.90	32.00	30.00	3.80
87759-3650/3651	36	35.90	34.00	32.00	3.80
87759-3850/3851	38	37.90	36.00	34.00	3.80
87759-4050/4051	40	39.90	38.00	36.00	3.80
87759-4250/4251	42	41.90	40.00	38.00	3.80
87759-4450/4451	44	43.90	42.00	40.00	3.80
87759-4650/4651	46	45.90	44.00	42.00	3.80
87759-4850/4851	48	47.90	46.00	44.00	3.80
87759-5050/5051	50	49.90	48.00	46.00	3.80

THIS DRAWING CONTAINS INFORMATION THAT IS PROPRIETARY TO MOLEX ELECTRONIC TECHNOLOGIES, LLC AND SHOULD NOT BE USED WITHOUT WRITTEN PERMISSION											
DIMENSION UNITS		SCALE		CURRENT REV DESC: REMASTERED IN NX				molex		CUSTOM HEADER MGRID, 2MM DUAL ROW HDR WITH PEG, SMT	
mm		NTS									
GENERAL TOLERANCES (UNLESS SPECIFIED)				EC NO: 172192		DRWN: NVELUSAMY		2017/12/28			
				CHK'D: CD		2018/07/18					
				APPR: GGA		2018/07/19					
				INITIAL REVISION:		DRWN: KSEE		2003/12/24			
				APPR: SKTOH		2004/01/12					
				ANGULAR TOL ± 3.0°							
DRAFT WHERE APPLICABLE MUST REMAIN WITHIN DIMENSIONS				THIRD ANGLE PROJECTION		DRAWING		SERIES		MATERIAL NUMBER	
						A3-SIZE		87759		SEE TABLE	
						GENERAL MARKET		CUSTOMER		SHEET NUMBER	
								GENERAL MARKET		2 OF 2	

DOCUMENT STATUS	P1	RELEASE DATE	2018/07/19	05:01:13
-----------------	----	--------------	------------	----------