

THIS DRAWING IS UNPUBLISHED.

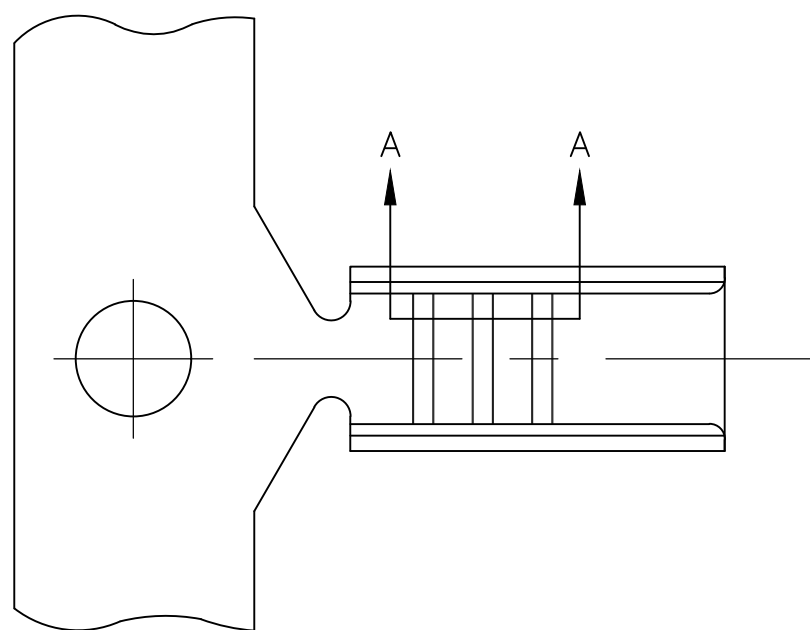
RELEASED FOR PUBLICATION

ALL RIGHTS RESERVED.

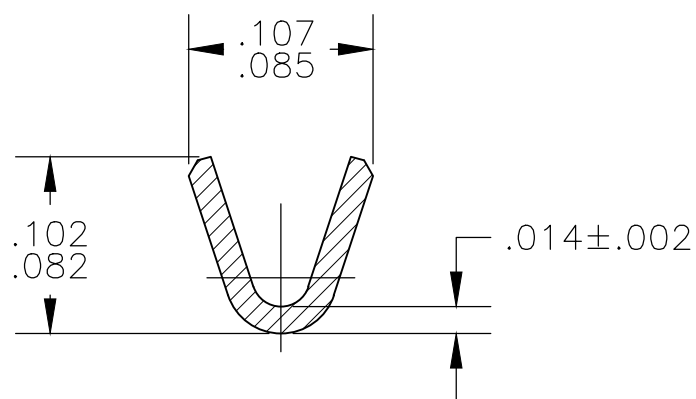
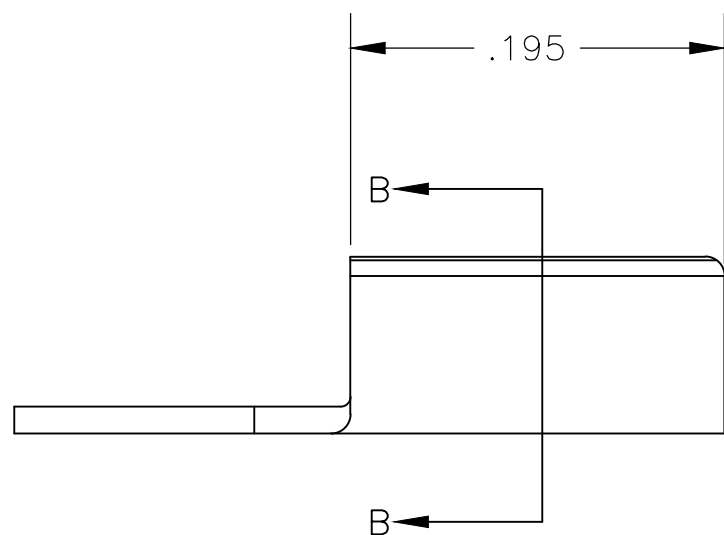
© COPYRIGHT - TE Connectivity

REVISIONS

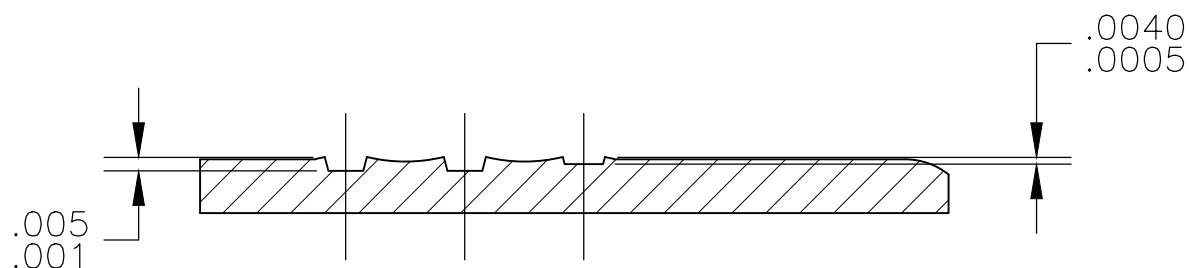
P	LTR	DESCRIPTION	DATE	DWN	APVD
	E2	REVISED PER ECR-12-009678	31JUL2018	BDA	KR



- 1 CONTINUOUS STRIP ON REELS
- 2 P/N 62341-3 SAME AS P/N 62341-1 EXCEPT REVERSE REELED
- 3 CRIMP WIDTH: .070 F
CRIMP HEIGHT: $(\pm.002) = (\text{TOTAL CMA} + 4,000) / 128,000$



SECTION B-B



SECTION A-A
SCALE 20:1

	480-1500 CMA	TIN	2	62341-3
OBSOLETE	480-1500 CMA	NONE	2	62341-2
	480-1500 CMA	TIN		62341-1
	WIRE RANGE	FINISH		PART NO

THIS DRAWING IS A CONTROLLED DOCUMENT.		DWN	11OCT2006	
		CHK	RAGHAVENDRA	
DIMENSIONS: INCHES		APVD	G.D.PORTA	
TOLERANCES UNLESS OTHERWISE SPECIFIED:		PRODUCT SPEC	NAME	
0 PLC ± -		APPLICATION SPEC	-	
1 PLC ± -		114-2016	SIZE	A3
2 PLC ± -		WEIGHT	CAGE CODE	00779
3 PLC ± .015		CUSTOMER DRAWING	DRAWING NO	C-62341
4 PLC ± -			RESTRICTED TO	-
ANGLES ± 1° 0'		SCALE	10:1	SHEET
MATERIAL	BRASS	FINISH	SEE TABLE	1 OF 1
		REV	E2	



MINIATURE AMPLIVAR SPLICE