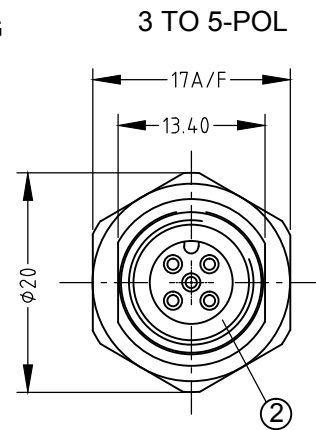
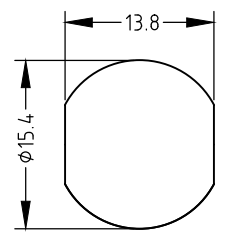
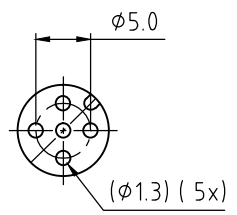


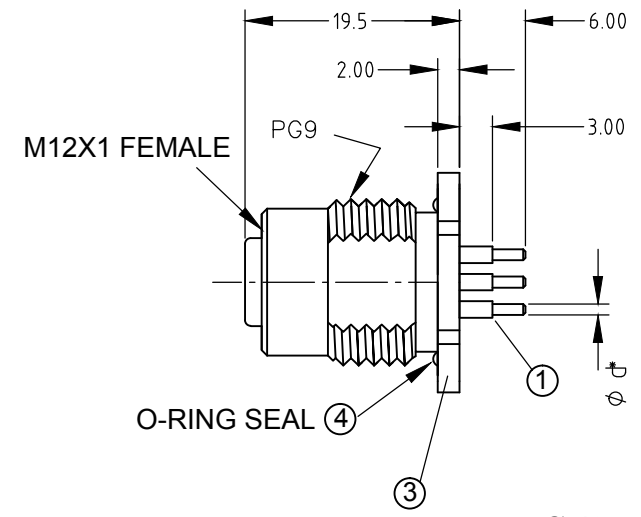
LOCKNUT DETAILS



DRILLING DRAWING FOR PC-BOARD 3, 4, 5 - POL



PANEL CUT OUT
MAX. PANEL THICKNESS-4.5mm



M12X1 FEMALE

O-RING SEAL

Ø d*
3-5 pol.: 1.0
8 pol.: 0.8

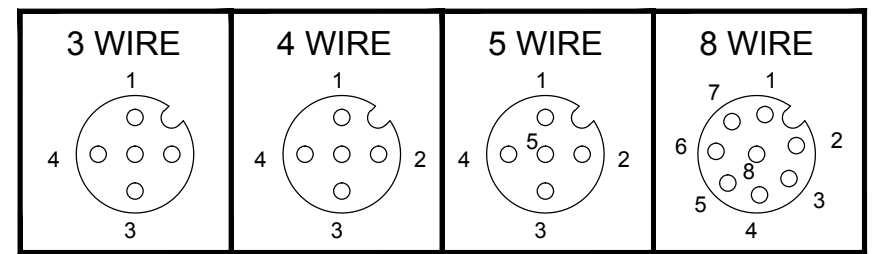
POL	MATERIAL NUMBER	ENGINEERING NUMBER
3	1200705203	8R3J400013
4	1200110237	8R4J400013
5	1200110238	8R5J400013
8	1200705210	8R8J400013

CONNECTOR SPECIFICATION:

VOLTAGE RATING	3-5P 250V / 8P 30AC/36DC
AMPERAGE RATING	4 AMPS/2A
PROTECTION	IP68
ASSEMBLY IS RoHS COMPLIANT	

ITEM	COMPONENT	MATERIAL	FINISH
5	LOCKNUT	BRASS	BRIGHT NICKEL PLATED
4	O-RING	VITON	BLACK
3	RECEPTACLE SHELLS	BRASS	BRIGHT NICKEL PLATED
2	INSERT	PUR (30% GLASS FILLED)	-
1	CONTACT	BRASS (CuZn36)	GOLD OVER NICKEL

FEMALE FACE VIEW



DESCRIPTION EC NO: IPG2017-0901 DRWN: BBRAUCH 2017/03/22 CHKD: NFRITZEN 2017/04/12 APPR: BBRAUCH 2010/03/03	QUALITY SYMBOLS ▽ = 0 ▽ = 0	GENERAL TOLERANCES (UNLESS SPECIFIED) mm INCH 4 PLACES ± --- ± --- 3 PLACES ± --- ± --- 2 PLACES ± --- ± .01 1 PLACE ± 0.3 ± --- ANGULAR ± --- °	DIMENSION STYLE MM DRAWN BY DATE LSTEMMLE 2010/02/15 CHECKED BY DATE FP 2010/03/01 APPROVED BY DATE NSTAUDIG 2010/03/03	SCALE 1:1	DESIGN UNITS METRIC	THIRD ANGLE PROJECTION
		MICRO CHANGE M12-3-8P-FE-REC-PCB BACK PANEL MOUNT			MOLEX INCORPORATED	
		DRAFT WHERE APPLICABLE MUST REMAIN WITHIN DIMENSIONS			SEE TABLE	SD-120070-013
SIZE A3		THIS DRAWING CONTAINS INFORMATION THAT IS PROPRIETARY TO MOLEX INCORPORATED AND SHOULD NOT BE USED WITHOUT WRITTEN PERMISSION				