



CYPRESS

CY2280

100-MHz Pentium® II Clock Synthesizer/Driver with Spread Spectrum for Mobile or Desktop PCs

Features

- **Mixed 2.5V and 3.3V operation**
- **Clock solution for Pentium® II, and other similar processor-based motherboards**
 - Four 2.5V CPU clocks up to 100 MHz
 - Eight 3.3V sync. PCI clocks, one free-running
 - Two 3.3V 48-MHz USB clocks
 - Three 3.3V Ref. clocks at 14.318 MHz
 - Two 2.5V APIC clocks at 14.318 MHz or PCI/2
- **EMI control**
 - Spread spectrum clocking
 - Factory-EPROM programmable spread spectrum margin
 - Factory-EPROM programmable output drive and slew rate
- **Factory-EPROM programmable CPU clock frequencies for custom configurations**
- **Available in space-saving 48-pin SSOP package**

Functional Description

The CY2280 is a Spread Spectrum clock synthesizer/driver for a Pentium II, or other similar processor-based PC requiring 100-MHz support. All of the required system clocks are provided in a space-saving 48-pin SSOP package. The CY2280 can be used with the CY231x for a total solution for systems with SDRAM.

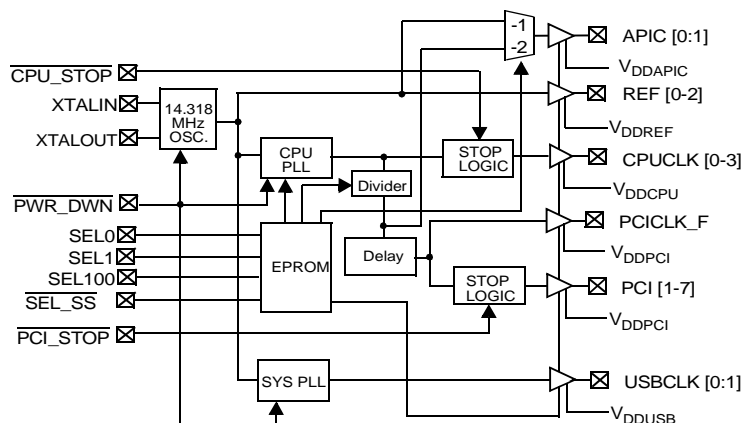
The CY2280 provides the option of spread spectrum clocking on the CPU and PCI clocks for reduced EMI. A downspread percentage is introduced when the SEL_SS input is asserted. The device can be run without spread spectrum when the SEL_SS input is deasserted. The percentage of spreading is EPROM-programmable to optimize EMI-reduction.

The CY2280 has power-down, CPU stop, and PCI stop pins for power management control. The signals are synchronized on-chip, and ensure glitch-free transitions on the outputs. When the CPU_STOP input is asserted, the CPU clock outputs are driven LOW. When the PCI_STOP input is asserted, the PCI clock outputs (except the free-running PCI clock) are driven LOW. When the PWR_DWN pin is asserted, the reference oscillator and PLLs are shut down, and all outputs are driven LOW.

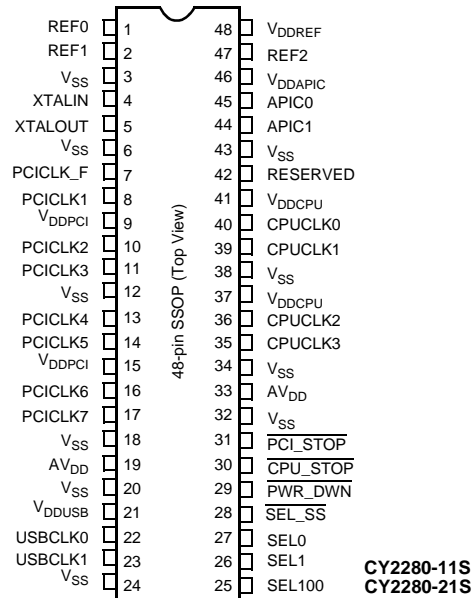
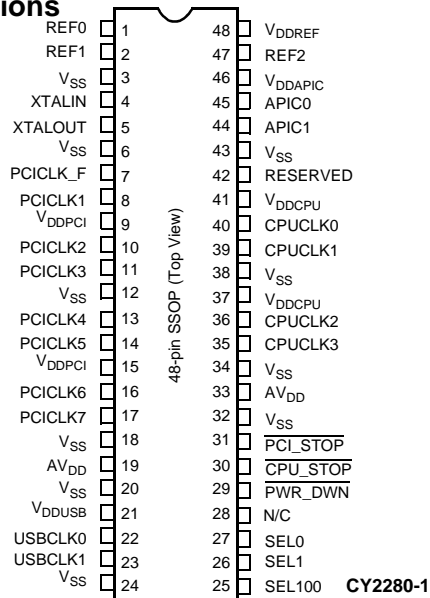
CY2280 Selector Guide

Clock Outputs	CY2280 Configuration Options		
	-1	-11S	-21S
CPU (66.6, 100 MHz)	4	4	4
PCI (CPU/2, CPU/3)	8	8	8
USB (48 MHz)	2	2	2
APIC (14.318 MHz)	2	2	—
APIC (PCI/2)	—	—	2
Reference (14.318 MHz)	3	3	3
CPU-PCI delay	1.5–4.0 ns	1.5–4.0 ns	1.5–4.0 ns
CPU-APIC delay	—	—	2.0–4.5 ns
Spread Spectrum (Downspread)	N/A	-0.6%	-0.6%

Logic Block Diagram



Pentium is a registered trademark of Intel Corporation.

Pin Configurations

Pin Summary

Name	Pins	Description
V _{DDPCI}	15, 9	3.3V Digital voltage supply for PCI clocks
V _{DDUSB}	21	3.3V Digital voltage supply for USB clocks
V _{DDREF}	48	3.3V Digital voltage supply for REF clocks
V _{DDAPIC}	46	2.5V Digital voltage supply for APIC clocks
V _{DDCPU}	41, 37	2.5V Digital voltage supply for CPU clocks
AV _{DD}	33, 19	Analog voltage supply, 3.3V
V _{SS}	3, 6, 12, 18, 20, 24, 32, 34, 38, 43	Ground
XTALIN ^[1]	4	Reference crystal input
XTALOUT ^[1]	5	Reference crystal feedback
PCI_STOP	31	Active LOW control input to stop PCI clocks
CPU_STOP	30	Active LOW control input to stop CPU clocks
PWR_DWN	29	Active LOW control input to power down device
SEL_SS	28	Spread spectrum select input (-11S and -21S options)
N/C	28	Spread spectrum select input (-1 option)
SEL0	27	CPU frequency select input, bit 0 (see Function Table)
SEL1	26	CPU frequency select input, bit 1 (see Function Table)
SEL100	25	CPU frequency select input, selects between 100 MHz and 66.6 MHz (see Function Table)
CPUCLK[0:3]	40, 39, 36, 35	CPU clock outputs
PCICLK[1:7]	8, 10, 11, 13, 14, 16, 17	PCI clock outputs, at one-half or one-third the CPU frequency of 66.6 MHz or 100 MHz respectively
PCICLK_F	7	Free-running PCI clock output
APIC[0:1]	45, 44	APIC clock outputs
REF[0:2]	1, 2, 47	3.3V Reference clock outputs
USBCLK[0:1]	22, 23	USB clock outputs
RESERVED	42	Reserved

Note:

- For best accuracy, use a parallel-resonant crystal, C_{LOAD} = 18 pF.

Function Table (-11S Option)

SEL100	SEL1	SEL0	$\overline{\text{SEL_SS}}^{[2]}$	CPU/PCI Ratio	CPUCLK	PCICLK_F PCICLK	REF	APIC	USBCLK
0	0	0	N/A	2	Hi-Z	Hi-Z	Hi-Z	Hi-Z	Hi-Z
0	0	1	N/A	2	Reserved	Reserved	14.318 MHz	14.318 MHz	48 MHz
0	1	0	N/A	2	Reserved	Reserved	14.318 MHz	14.318 MHz	48 MHz
0	1	1	0 (downspread)	2	66.66 MHz	33.33 MHz	14.318 MHz	14.318 MHz	48 MHz
0	1	1	1 (no spread)	2	66.66 MHz	33.33 MHz	14.318 MHz	14.318 MHz	48 MHz
1	0	0	N/A	3	TCLK/2	TCLK/6	TCLK ^[3]	TCLK ^[3]	TCLK/2
1	0	1	N/A	3	Reserved	Reserved	14.318 MHz	14.318 MHz	48 MHz
1	1	0	N/A	3	Reserved	Reserved	14.318 MHz	14.318 MHz	48 MHz
1	1	1	0 (downspread)	3	100 MHz	33.33 MHz	14.318 MHz	14.318 MHz	48 MHz
1	1	1	1 (no spread)	3	100 MHz	33.33 MHz	14.318 MHz	14.318 MHz	48 MHz

Function Table (-21S Option)

SEL100	SEL1	SEL0	$\overline{\text{SEL_SS}}^{[2]}$	CPU/PCI Ratio	CPUCLK	PCICLK_F PCICLK	REF	APIC	USBCLK
0	0	0	N/A	2	Hi-Z	Hi-Z	Hi-Z	Hi-Z	Hi-Z
0	0	1	N/A	2	Reserved	Reserved	14.318 MHz	Reserved	48 MHz
0	1	0	N/A	2	Reserved	Reserved	14.318 MHz	Reserved	48 MHz
0	1	1	0 (downspread)	2	66.66 MHz	33.33 MHz	14.318 MHz	16.67 MHz	48 MHz
0	1	1	1 (no spread)	2	66.66 MHz	33.33 MHz	14.318 MHz	16.67 MHz	48 MHz
1	0	0	N/A	3	TCLK/2	TCLK/6	TCLK ^[3]	TCLK/12 ^[3]	TCLK/2
1	0	1	N/A	3	Reserved	Reserved	14.318 MHz	Reserved	48 MHz
1	1	0	N/A	3	Reserved	Reserved	14.318 MHz	Reserved	48 MHz
1	1	1	0 (downspread)	3	100 MHz	33.33 MHz	14.318 MHz	16.67 MHz	48 MHz
1	1	1	1 (no spread)	3	100 MHz	33.33 MHz	14.318 MHz	16.67 MHz	48 MHz

Actual Clock Frequency Values

Clock Output	Target Frequency (MHz)	Actual Frequency (MHz)	PPM
CPUCLK	66.67	66.654	-195
CPUCLK	100	99.77	-2346
USBCLK	48.0	48.008	167

Power Management Logic

$\overline{\text{CPU_STOP}}$	$\overline{\text{PCI_STOP}}$	$\overline{\text{PWR_DWN}}$	CPUCLK	PCICLK	PCICLK_F	Other Clocks	Osc.	PLLs
X	X	0	Low	Low	Low	Low	Off	Off
0	0	1	Low	Low	Running	Running	Running	Running
0	1	1	Low	Running	Running	Running	Running	Running
1	0	1	Running	Low	Running	Running	Running	Running
1	1	1	Running	Running	Running	Running	Running	Running

Notes:

- Target frequency is modulated by percentage shown (max.) when $\overline{\text{SEL_SS}} = 0$.
- TCLK supplied on the XTALIN pin in Test Mode.

Maximum Ratings

(Above which the useful life may be impaired. For user guidelines, not tested.)

Supply Voltage -0.5 to + 7.0V
 Input Voltage -0.5V to $V_{DD} + 0.5$

Storage Temperature (Non-Condensing) ... -65°C to +150°C
 Junction Temperature +150°C
 Package Power Dissipation 1W
 Static Discharge Voltage > 2000V
 (per MIL-STD-883, Method 3015, like V_{DD} pins tied together)

Operating Conditions^[4]

Parameter	Description	Min.	Max.	Unit
AV_{DD} , V_{DDPCI} , V_{DDUSB} , V_{DDREF}	Analog and Digital Supply Voltage	3.135	3.465	V
V_{DDCPU}	CPU Supply Voltage	2.375	2.625	V
V_{DDAPIC}	APIC Supply Voltage	2.375	2.625	V
T_A	Operating Temperature, Ambient	0	70	°C
C_L	Max. Capacitive Load on CPUCLK PCICLK APIC, REF USB		20 30 20 20	pF
$f_{(REF)}$	Reference Frequency, Oscillator Nominal Value	14.318	14.318	MHz
t_{PU}	Power-up time for all VDD's to reach minimum specified voltage (power ramps must be monotonic)	0.05	50	ms

Electrical Characteristics Over the Operating Range

Parameter	Description	Test Conditions	Min.	Max.	Unit
V_{IH}	High-level Input Voltage	Except Crystal Inputs ^[5]	2.0		V
V_{IL}	Low-level Input Voltage	Except Crystal Inputs ^[5]		0.8	V
V_{OH}	High-level Output Voltage ^[6]	$V_{DDCPU} = V_{DDAPIC} = 2.375V$ $I_{OH} = 12\text{ mA}$ CPUCLK $I_{OH} = 18\text{ mA}$ APIC	2.0		V
V_{OL}	Low-level Output Voltage ^[6]	$V_{DDCPU} = V_{DDAPIC} = 2.375V$ $I_{OL} = 12\text{ mA}$ CPUCLK $I_{OL} = 18\text{ mA}$ APIC		0.4	V
V_{OH}	High-level Output Voltage ^[6]	$V_{DDPCI}, AV_{DD}, V_{DDREF}, V_{DDUSB} = 3.135V$ $I_{OH} = 14.5\text{ mA}$ PCICLK $I_{OH} = 16\text{ mA}$ USBCLK $I_{OH} = 16\text{ mA}$ REF	2.4		V
V_{OL}	Low-level Output Voltage ^[6]	$V_{DDPCI}, AV_{DD}, V_{DDREF}, V_{DDUSB} = 3.135V$ $I_{OL} = 9.4\text{ mA}$ PCICLK $I_{OL} = 9\text{ mA}$ USBCLK $I_{OL} = 9\text{ mA}$ REF		0.4V	V
I_{IH}	Input High Current	$V_{IH} = V_{DD}$	-10	+10	µA
I_{IL}	Input Low Current	$V_{IL} = 0V$		10	µA
I_{OZ}	Output Leakage Current	Three-state	-10	+10	µA
I_{DD25}	Power Supply Current for 2.5V Clocks ^[6]	$V_{DDCPU} = 2.625V$, $V_{IN} = 0$ or V_{DD} , Loaded Outputs, CPU = 66.6 MHz		70	mA
I_{DD25}	Power Supply Current for 2.5V Clocks ^[6]	$V_{DDCPU} = 2.625V$, $V_{IN} = 0$ or V_{DD} , Loaded Outputs, CPU = 100 MHz		100	mA
I_{DD33}	Power Supply Current for 3.3V Clocks ^[6]	$V_{DD} = 3.465V$, $V_{IN} = 0$ or V_{DD} , Loaded Outputs		170	mA
I_{DDS}	Power-down Current ^[6]	Current draw in power-down state		500	µA

Electrical Characteristics Over the Operating Range

Parameter	Description	Test Conditions	Min.	Max.	Unit
-----------	-------------	-----------------	------	------	------

Notes:

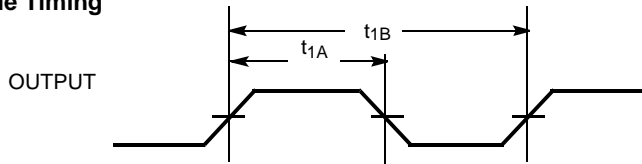
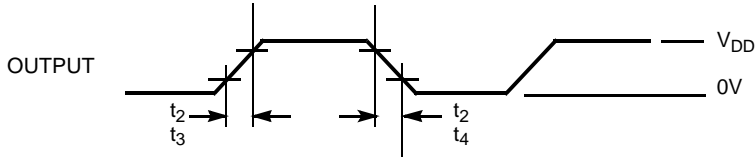
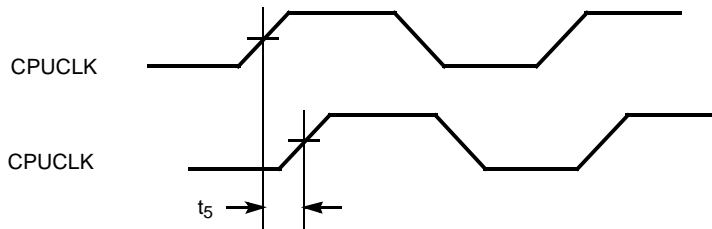
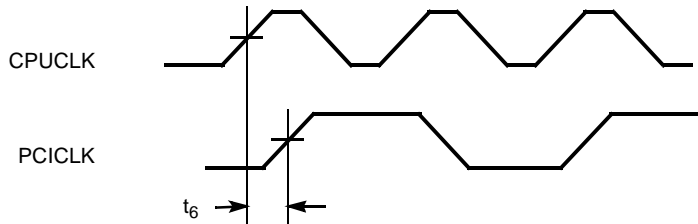
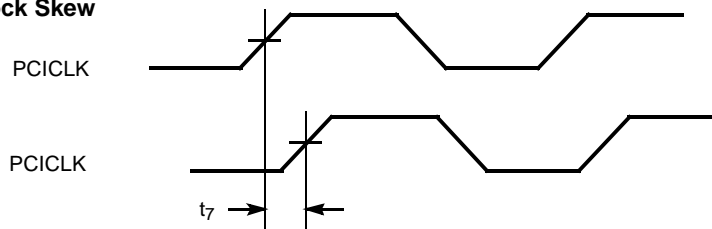
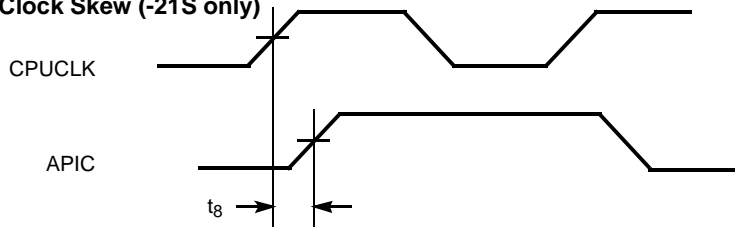
4. Electrical parameters are guaranteed with these operating conditions.
5. Crystal Inputs have CMOS thresholds.
6. Parameter is guaranteed by design and characterization. Not 100% tested in production.

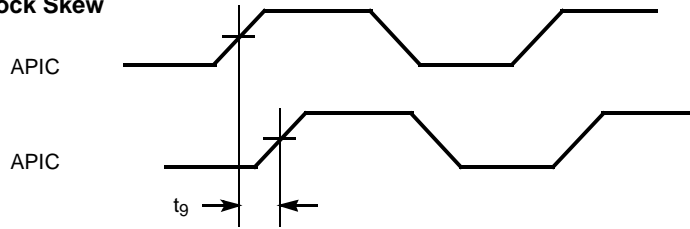
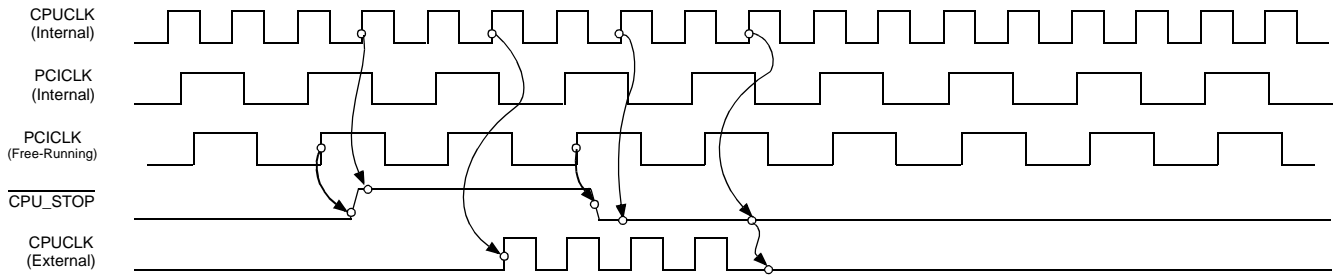
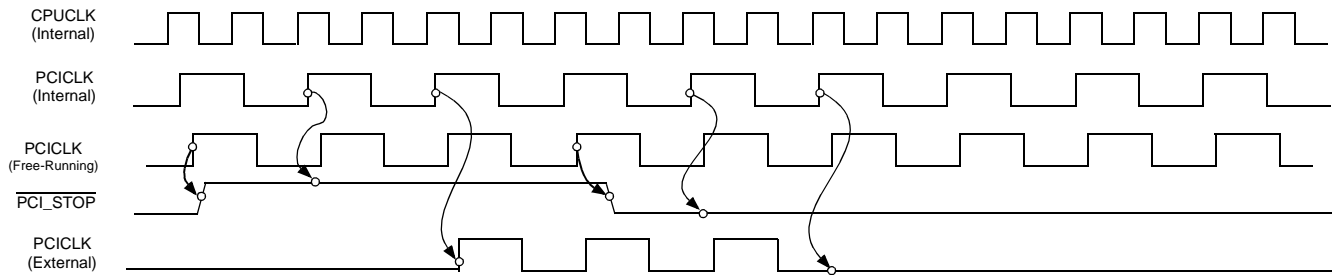
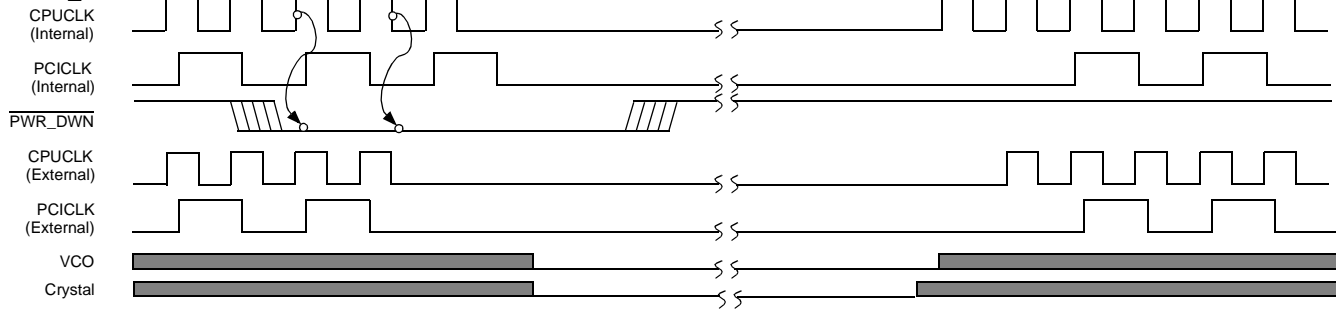
Switching Characteristics^[6, 7]

Parameter	Output	Description	Test Conditions	Min.	Typ.	Max.	Unit
t ₁	All	Output Duty Cycle ^[8]	$t_1 = t_{1A} \div t_{1B}$	45	50	55	%
t ₂	CPUCLK, APIC	CPU and APIC Clock Rising and Falling Edge Rate	Between 0.4V and 2.0V -1,-11S, -21S	1.0		4.0	V/ns
t ₂	PCICLK	PCI Clock Rising and Falling Edge Rate	Between 0.4V and 2.4V -1,-11S, -21S	1.0		4.0	V/ns
t ₂	USBCLK, REF	USB, REF Rising and Falling Edge Rate	Between 0.4V and 2.4V	0.5		2.0	V/ns
t ₃	CPUCLK	CPU Clock Rise Time	Between 0.4V and 2.0V -1,-11S, -21S	0.4		1.6	ns
t ₄	CPUCLK	CPU Clock Fall Time	Between 2.0V and 0.4V -1,-11S, -21S	0.4		1.6	ns
t ₅	CPUCLK	CPU-CPU Clock Skew	Measured at 1.25V		100	175	ps
t ₆	CPUCLK, PCICLK	CPU-PCI Clock Skew ^[9]	Measured at 1.25V for 2.5V clocks, and at 1.5V for 3.3V clocks -1,-11S, -21S	1.5		4.0	ns
t ₇	PCICLK, PCICLK	PCI-PCI Clock Skew	Measured at 1.5V			250	ps
t ₈	CPUCLK, APIC	CPU-APIC Clock Skew ^[10]	Measured at 1.25V for 2.5V clocks -21S	2.0		4.5	ns
t ₉	APIC	APIC-APIC Clock Skew	Measured at 1.25V		100	175	ps
t ₁₀	CPUCLK	Cycle-Cycle Clock Jitter	Measured at 1.25V -1,-11S, -21S		200	250	ps
t ₁₁	PCICLK	Cycle-Cycle Clock Jitter	Measured at 1.5V		250	500	ps
t ₁₂	CPUCLK, PCICLK	Power-up Time	CPU, PCI clock stabilization from power-up			3	ms

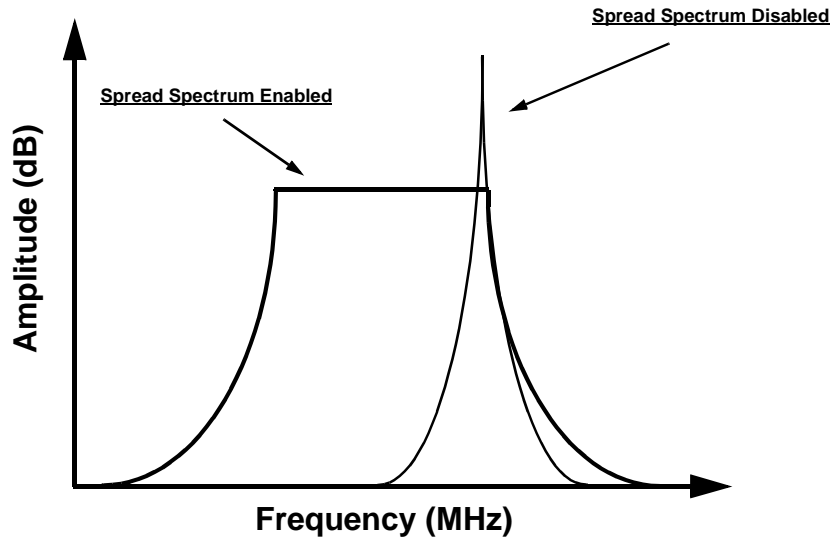
Notes:

7. All parameters specified with loaded outputs.
8. Duty cycle is measured at 1.5V when V_{DD} = 3.3V. When V_{DD} = 2.5V, duty cycle is measured at 1.25V.
9. PCI lags CPU for -11S and -21S options.
10. APIC lags CPU for -21S option.

Switching Waveforms
Duty Cycle Timing

All Outputs Rise/Fall Time

CPU-CPU Clock Skew

CPU-PCI Clock Skew

PCI-PCI Clock Skew

CPU-APIC Clock Skew (-21S only)


Switching Waveforms (continued)
APIC-APIC Clock Skew

CPU_STOP

PCI_STOP

PWR_DOWN


Shaded section on the VCO and Crystal waveforms indicates that the VCO and crystal oscillator are active, and there is a valid clock.

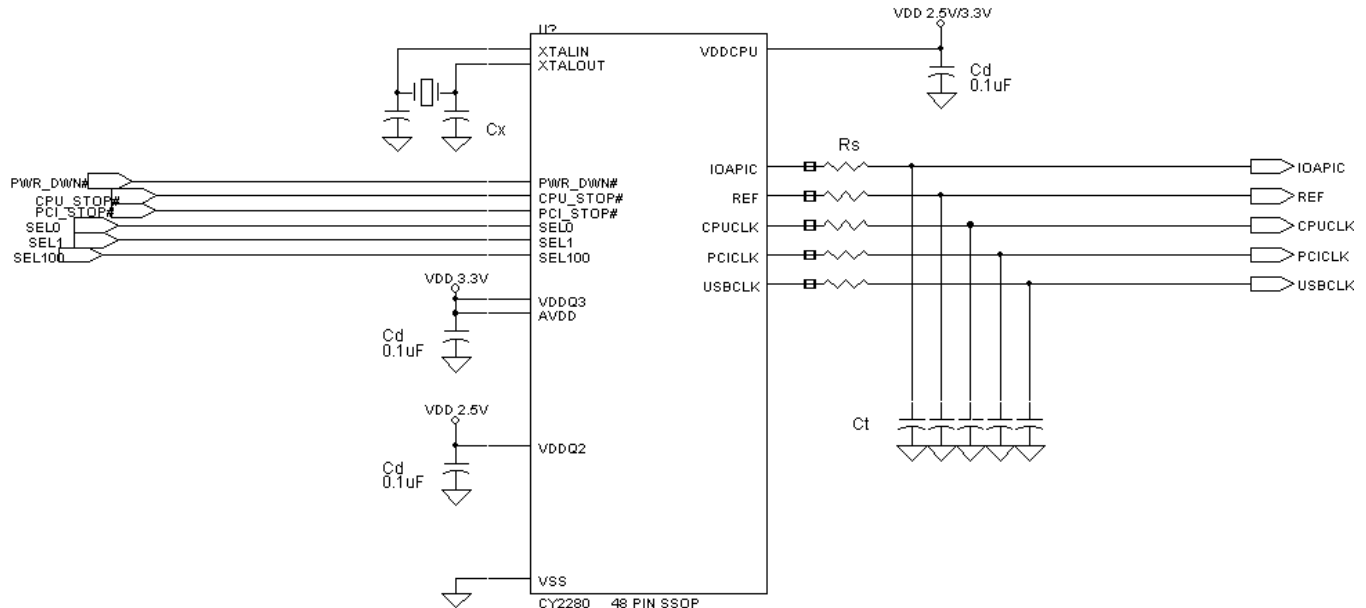
Spread Spectrum Clocking


Description	Configuration	Outputs	Min.	Max.	Unit
Modulation Frequency	All (except -1)		30.0	33.0	kHz
Down Spread Margin at the Fundamental Frequency	-11S	CPU, PCI	0.0	-0.6	%
Down Spread Margin at the Fundamental Frequency	-21S	CPU, PCI, APIC	0.0	-0.6	%

Application Information

Clock traces must be terminated with either series or parallel termination, as is normally done.

Application Circuit



Cd = DECOUPLING CAPACITORS

Ct = OPTIONAL EMI-REDUCING CAPACITORS

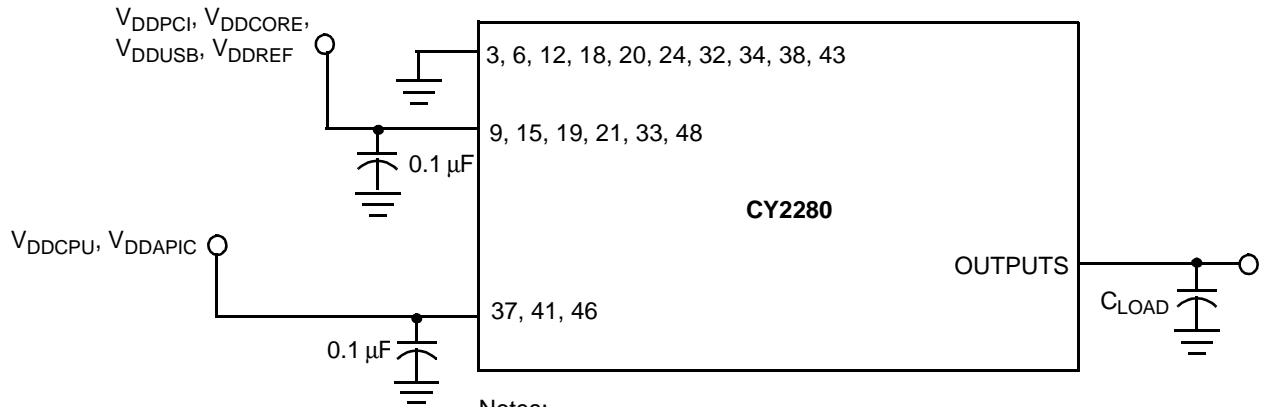
Cx = OPTIONAL LOAD MATCHING CAPACITOR

Rs = SERIES TERMINATING RESISTORS

Summary

- A parallel-resonant crystal should be used as the reference to the clock generator. The operating frequency and C_{LOAD} of this crystal should be as specified in the data sheet. Optional trimming capacitors may be needed if a crystal with a different C_{LOAD} is used. Footprints must be laid out for flexibility.
- Surface mount, low-ESR, ceramic capacitors should be used for filtering. Typically, these capacitors have a value of 0.1 μ F. In some cases, smaller value capacitors may be required.
- The value of the series terminating resistor satisfies the following equation, where R_{trace} is the loaded characteristic impedance of the trace, R_{out} is the output impedance of the clock generator (specified in the data sheet), and R_{series} is the series terminating resistor.

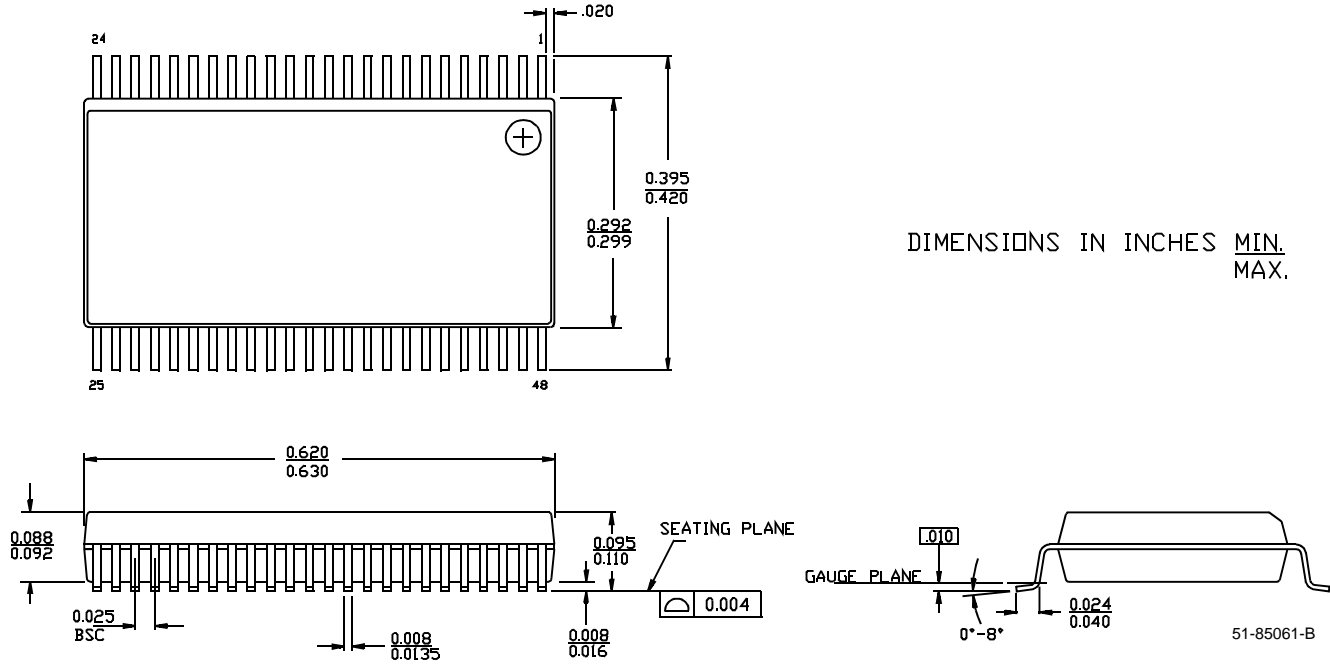
$$R_{series} > R_{trace} - R_{out}$$
- Footprints must be laid out for optional EMI-reducing capacitors, which should be placed as close to the terminating resistor as is physically possible. Typical values of these capacitors range from 4.7 pF to 22 pF.
- A Ferrite Bead **may** be used to isolate the Board V_{DD} from the clock generator V_{DD} island. Ensure that the Ferrite Bead offers greater than 50 Ω impedance at the clock frequency, under loaded DC conditions. Please refer to the application note "Layout and Termination Techniques for Cypress Clock Generators" for more details.
- If a Ferrite Bead is used, a 10 μ F–22 μ F tantalum bypass capacitor should be placed close to the Ferrite Bead. This capacitor prevents power supply droop during current surges.

Test Circuit


Notes:
 Each supply pin must have an individual decoupling capacitor.
 All capacitors must be placed as close to the pins as is possible.

Ordering Information

Ordering Code	Package Name	Package Type	Operating Range
CY2280PVC-1	O48	48-Pin SSOP	Commercial
CY2280PVC-11S	O48	48-Pin SSOP	Commercial
CY2280PVC-21S	O48	48-Pin SSOP	Commercial

Package Diagram
48-Lead Shrunken Small Outline Package O48


Revision History

Document Title: CY2280 100-MHz Pentium® II Clock Synthesizer/Driver with Spread Spectrum for Mobile or Desktop PCs Document Number: 38-07207				
REV.	ECN NO.	Issue Date	Orig. of Change	Description of Change
**	111721	12/16/01	DSG	Change from Spec number: 38-00694 to 38-07207
*A	121842	12/14/02	RBI	Power up requirements added to Operating Conditions Information