



ARM Cortex™-M0
32-BIT MICROCONTROLLER

NuMicro™ Family
Mini51 Series DataSheet

The information described in this document is the exclusive intellectual property of Nuvoton Technology Corporation and shall not be reproduced without permission from Nuvoton.

Nuvoton is providing this document only for reference purposes of NuMicro microcontroller based system design. Nuvoton assumes no responsibility for errors or omissions.

All data and specifications are subject to change without notice.

For additional information or questions, please contact: Nuvoton Technology Corporation.

www.nuvoton.com



CONTENTS

1	GENERAL DESCRIPTION	7
2	FEATURES	8
3	PARTS INFORMATION LIST AND PIN CONFIGURATION	11
3.1	NuMicro Mini51™ Series Product Selection Guide	11
3.2	PIN CONFIGURATION	12
3.2.1	LQFP 48-pin	12
3.2.2	QFN 33-pin	13
3.3	Pin Description	14
4	BLOCK DIAGRAM	18
4.1	NuMicro Mini51™ Block Diagram	18
5	FUNCTIONAL DESCRIPTION.....	19
5.1	Memory Organization	19
5.1.1	Overview	19
5.1.2	System Memory Map.....	20
5.2	Nested Vectored Interrupt Controller (NVIC)	21
5.2.1	Overview	21
5.2.2	Features	21
5.2.3	Exception Model and System Interrupt Map.....	21
5.2.4	Vector Table	23
5.2.5	NVIC Operation	24
5.3	System Manager	25
5.3.1	Overview	25
5.3.2	System Reset	25
5.3.3	System Power Distribution	25
5.3.4	Memory Mapping Table.....	27
5.4	Clock Controller.....	28
5.4.1	Overview	28
5.4.2	Clock Generator	28
5.4.3	System Clock and SysTick Clock	29
5.4.4	AHB Clock Source Selection	30
5.4.5	Peripheral Clock Source Selection	31
5.4.6	Power-down Mode Clock.....	33
5.4.7	Frequency Divider Output.....	34
5.5	Comparator Controller (CMPC).....	35
5.5.1	Overview	35
5.5.2	Features	35
5.6	Analog-to-Digital Converter (ADC).....	36
5.6.1	Overview	36
5.6.2	Features	36
5.7	Flash Memory Controller (FMC).....	37
5.7.1	Overview	37
5.7.2	Features	37



5.8	General Purpose I/O	38
5.8.1	Overview	38
5.8.2	Features	38
5.9	I ² C Serial Interface Controller (Master/Slave)	39
5.9.1	Overview	39
5.9.2	Features	39
5.10	Enhanced PWM Generator	41
5.10.1	Overview	41
5.10.2	Features	41
5.11	Serial Peripheral Interface (SPI) Controller	43
5.11.1	Overview	43
5.11.2	Features	43
5.12	Timer Controller	44
5.12.1	Overview	44
5.12.2	Features	44
5.13	UART Interface Controller	45
5.13.1	Overview	45
5.13.2	Features	47
5.14	Watchdog Timer	48
5.14.1	Overview	48
5.14.2	Features	49
6	ARM® CORTEX™-M0 CORE	50
6.1	Overview	50
6.2	Features	51
7	APPLICATION CIRCUIT	52
8	ELECTRICAL CHARACTERISTICS	53
8.1	Absolute Maximum Ratings	53
8.2	DC Electrical Characteristics	54
8.3	AC Electrical Characteristics	59
8.3.1	External Input Clock	59
8.3.2	External 4 ~ 24 MHz XTAL Oscillator	59
8.3.3	Typical Crystal Application Circuit	59
8.3.4	External 32.768 KHz XTAL Oscillator	60
8.3.5	Internal 22.1184 MHz RC Oscillator	60
8.3.6	Internal 10 KHz RC Oscillator	60
8.4	Analog Characteristics	61
8.4.1	Brown-Out Reset (BOD)	61
8.4.2	Low Voltage Reset (LVR)	61
8.4.3	Analog Comparator	61
8.4.4	Analog Comparator Reference Voltage (CRV)	62
8.4.5	10-bit ADC	62
8.4.6	Flash Memory Characteristics	63
9	PACKAGE DIMENSION	64



9.1 48-pin LQFP 64

9.2 33-pin QFN (4mm x 4mm) 65

9.3 33-pin QFN (5mm x 5mm) 66

10 REVISION HISTORY 67



List of Figures

Figure 3.1-1 NuMicro Mini51™ Series Product Selection Guide..... 11

Figure 3.2-1 NuMicro Mini51™ Series LQFP 48-pin Assignment 12

Figure 3.2-2 NuMicro Mini51™ Series QFN 33-pin Assignment 13

Figure 4.1-1 NuMicro Mini51™ Series Block Diagram 18

Figure 5.3-1 NuMicro Mini51™ Series Power Distribution Diagram..... 26

Figure 5.4-1 Clock Generator Block Diagram 28

Figure 5.4-2 System Clock Block Diagram 29

Figure 5.4-3 SysTick Clock Control Block Diagram 29

Figure 5.4-4 AHB Clock Source for HCLK 30

Figure 5.4-5 Peripherals Clock Source Selection for PCLK 31

Figure 5.4-6 Clock Source of Frequency Divider 34

Figure 5.4-7 Block Diagram of Frequency Divider 34

Figure 5.9-1 Bus Timing 39

Figure 5.10-1 Application Circuit Diagram 42

Figure 5.14-1 Timing of Interrupt and Reset Signal 49

Figure 6.1-1 Functional Block Diagram..... 50

Figure 8.3-1 Typical Crystal Application Circuit 60



List of Tables

Table 3.3-1 NuMicro Mini51™ Series Pin Description 17

Table 5.1-1 Address Space Assignments for On-Chip Modules 20

Table 5.2-1 Exception Model 22

Table 5.2-2 System Interrupt Map 23

Table 5.2-3 Vector Table Format 23

Table 5.3-1 Memory Mapping Table 27

Table 5.4-1 Peripherals Engine Clock Source Selection Table 32

Table 5.13-1 UART Baud Rate Setting Table 45

Table 5.13-2 UART Baud Rate Setting Table 45

Table 5.14-1 Watchdog Time-out Interval Selection 48



1 GENERAL DESCRIPTION

The NuMicro Mini51™ series 32-bit microcontroller is embedded with an ARM® Cortex™-M0 core for industrial controls and applications which require high performance, high integration, and low cost. The Cortex™-M0 is the newest ARM embedded processor with 32-bit performance at a cost equivalent to the traditional 8-bit microcontroller.

The NuMicro Mini51™ series can run up to 24 MHz, and thus can afford to support a variety of industrial controls and applications requiring high CPU performance. The NuMicro Mini51™ series provides 4K/8K/16K-byte embedded program flash, size configurable data flash (shared with program flash), 2K-byte flash for the ISP, and 2K-byte embedded SRAM.

A number of system-level peripheral functions, such as I/O Port, Timer, UART, SPI, I²C, PWM, ADC, Watchdog Timer, and low voltage detector, have been incorporated in the NuMicro Mini51™ series to reduce component count, board space, and system cost. These useful functions make the NuMicro Mini51™ series powerful for a wide range of applications.

Additionally, the NuMicro Mini51™ series is equipped with ISP (In-System Programming) and ICP (In-Circuit Programming) functions, allowing user to update program memory without removing a chip from an actual end product.

2 FEATURES

- Core
 - ◆ ARM® Cortex™-M0 core running up to 24 MHz
 - ◆ One 24-bit system timer
 - ◆ Supports low power Idle mode
 - ◆ A single-cycle 32-bit hardware multiplier
 - ◆ NVIC for 32 interrupt inputs, each with 4-level priority
 - ◆ Supports Serial Wire Debug (SWD) with 2 watchpoints/4 breakpoints
- Built-in LDO for Wide Operating Voltage Range: 2.5V to 5.5V
- Memory
 - ◆ 4KB/8KB/16KB flash memory for program memory (APROM)
 - ◆ Configurable flash memory for data memory (Data Flash)
 - ◆ 2KB flash memory for loader (LDROM)
 - ◆ 2KB SRAM for internal scratch-pad RAM (SRAM)
- In-System Programming (ISP) and In-Circuit Programming (ICP)
- Clock Control
 - ◆ Programmable system clock source
 - Switch clock sources on-the-fly
 - ◆ 4 ~ 24 MHz crystal oscillator (HXT)
 - ◆ 32.768K crystal oscillator (LXT) for idle wake-up and system operation clock
 - ◆ 22.1184 MHz internal oscillator (HIRC) (1% accuracy at 25⁰C, 5V)
 - Dynamically calibrating the HIRC OSC to 22.0 MHz ±1% from -40⁰C to 85⁰C by external 32.768K crystal oscillator (LXT)
 - ◆ 10 KHz internal low-power oscillator (LIRC) for watchdog and idle wake-up
- I/O Port
 - ◆ Up to 30 GPIO (General Purpose I/O) pins for LQFP-48 package
 - ◆ Software-configured I/O type
 - Quasi-bidirectional input/output
 - Push-pull output
 - Open-drain output
 - Input-only (high impedance)
 - ◆ Optional Schmitt trigger input
- Timer
 - ◆ Two 24-bit Timers with 8-bit prescaler
 - Supports Event Counter mode
 - Supports Toggle Output mode

- Supports external trigger in Pulse Width Measurement mode
 - ◆ Supports external trigger in Pulse Width Capture mode
- Watchdog Timer
 - ◆ Programmable clock source and time-out period
 - ◆ Supports wake-up function in Power-down mode and Idle mode
 - ◆ Interrupt or reset selectable when time-out happens
- PWM
 - ◆ Up to three built-in 16-bit PWM generators with six PWM outputs or three complementary paired PWM outputs
 - ◆ Supports edge alignment or center alignment
 - ◆ Supports fault detection
 - ◆ Individual clock source, clock divider, 8-bit prescaler and dead-zone generator for each PWM generator
 - ◆ PWM interrupt synchronized to PWM period
- UART (Universal Asynchronous Receiver/Transmitters)
 - ◆ One UART device
 - ◆ Buffered receiver and transmitter with 16-byte FIFO
 - ◆ Optional flow control function (CTS_n and RTS_n)
 - ◆ Supports IrDA (SIR) function
 - ◆ Programmable baud-rate generator up to 1/16 system clock
 - ◆ Supports RS-485 function
- SPI (Serial Peripheral Interface)
 - ◆ One SPI device
 - ◆ Masters up to 12 MHz, and Slaves up to 4 MHz
 - ◆ Supports SPI Master/Slave mode
 - ◆ Full duplex synchronous serial data transfer
 - ◆ Variable length of transfer data from 1 to 32 bits
 - ◆ MSB or LSB first data transfer
 - ◆ Rx and Tx on both rising or falling edge of serial clock independently
 - ◆ Byte Suspend mode in 32-bit transmission
- I²C
 - ◆ Supports Master/Slave mode
 - ◆ Bi-directional data transfer between masters and slaves
 - ◆ Multi-master bus (no central master)
 - ◆ Arbitration between simultaneously transmitting masters without corruption of serial data on the bus
 - ◆ Serial clock synchronization allowing devices with different bit rates to communicate via one serial bus

- ◆ Serial clock synchronization used as a handshake mechanism to suspend and resume serial transfer
- ◆ Programmable clocks allowing for versatile rate control
- ◆ Supports multiple address recognition (4 slave addresses with mask option)
- ADC (Analog-to-Digital Converter)
 - ◆ 10-bit SAR ADC with 150K SPS
 - ◆ Up to 8-ch single-end input and one internal input from band-gap
 - ◆ Conversion started by software or external pin
- Analog Comparator
 - ◆ Two analog comparators with programmable 16-level internal voltage reference
 - ◆ Built-in CRV (comparator reference voltage)
- BOD (Brown-Out Detection) Reset
 - ◆ Three programmable threshold levels: 3.8V/2.7V/2.0V (default as 2.0V)
 - ◆ Optional BOD interrupt or reset
- 96-bit unique ID
- Operating Temperature: -40°C ~85°C
- Packages:
 - ◆ Green package (RoHS)
 - ◆ LQFP 48-pin (7x7), QFN 33-pin (5x5), QFN 33-pin (4x4)



3 PARTS INFORMATION LIST AND PIN CONFIGURATION

3.1 NuMicro Mini51™ Series Product Selection Guide

Part Number	APROM	RAM	Data Flash	ISP Loader ROM	I/O	Timer	Connectivity			Comp.	PWM	ADC	ISP ICP	IRC 22.1184 MHz	Package
							UART	SPI	I ² C						
MINI51LAN	4 KB	2 KB	Configurable	2 KB	up to 30	2x32-bit	1	1	1	2	6	8x10-bit	v	v	LQFP48
MINI51ZAN	4 KB	2 KB	Configurable	2 KB	up to 29	2x32-bit	1	1	1	2	6	8x10-bit	v	v	QFN33(5x5)
MINI51TAN	4 KB	2 KB	Configurable	2 KB	up to 29	2x32-bit	1	1	1	2	6	8x10-bit	v	v	QFN33(4x4)
MINI52LAN	8 KB	2 KB	Configurable	2 KB	up to 30	2x32-bit	1	1	1	2	6	8x10-bit	v	v	LQFP48
MINI52ZAN	8 KB	2 KB	Configurable	2 KB	up to 29	2x32-bit	1	1	1	2	6	8x10-bit	v	v	QFN33(5x5)
MINI52TAN	8 KB	2 KB	Configurable	2 KB	up to 29	2x32-bit	1	1	1	2	6	8x10-bit	v	v	QFN33(4x4)
MINI54LAN	16 KB	2 KB	Configurable	2 KB	up to 30	2x32-bit	1	1	1	2	6	8x10-bit	v	v	LQFP48
MINI54ZAN	16 KB	2 KB	Configurable	2 KB	up to 29	2x32-bit	1	1	1	2	6	8x10-bit	v	v	QFN33(5x5)
MINI54TAN	16 KB	2 KB	Configurable	2 KB	up to 29	2x32-bit	1	1	1	2	6	8x10-bit	v	v	QFN33(4x4)

Figure 3.1-1 NuMicro Mini51™ Series Product Selection Guide



3.2 PIN CONFIGURATION

3.2.1 LQFP 48-pin

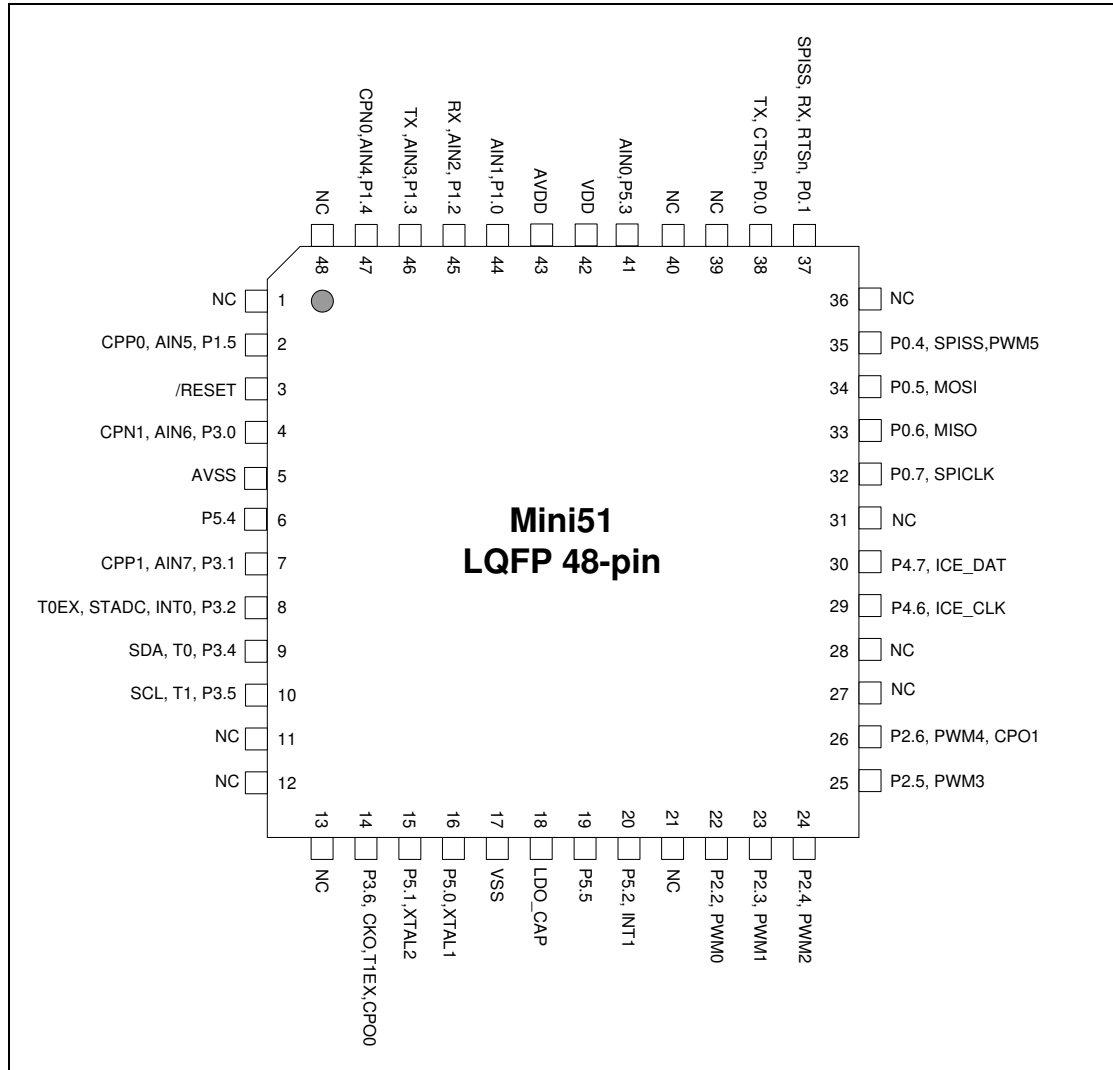


Figure 3.2-1 NuMicro Mini51™ Series LQFP 48-pin Assignment

3.2.2 QFN 33-pin

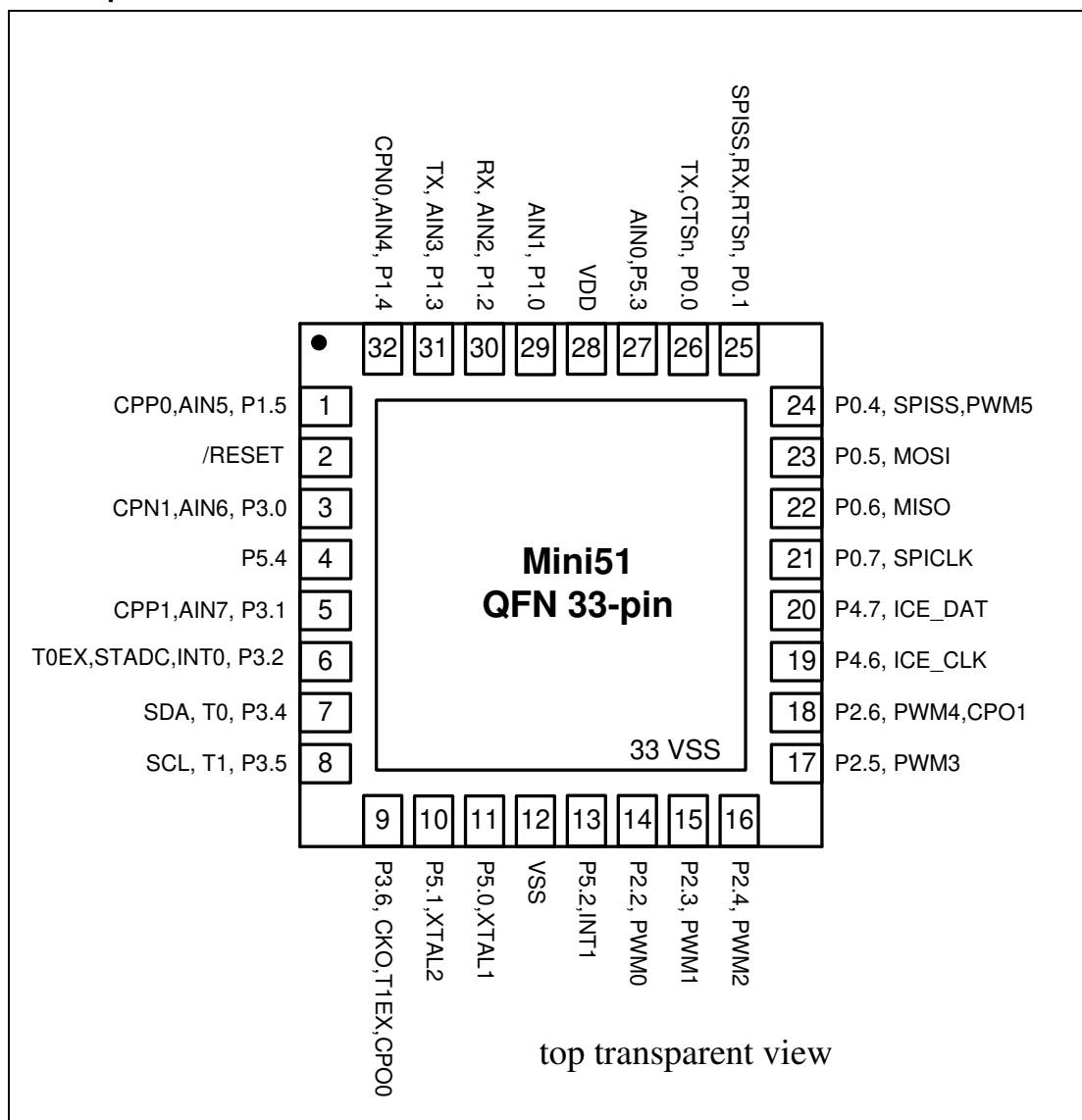


Figure 3.2-2 NuMicro Mini51™ Series QFN 33-pin Assignment



3.3 Pin Description

Pin Number		Pin Name	Pin Type	Description
LQFP 48-pin	QFN 33-pin			
1		NC		Not connected
2	1	P1.5	I/O	Digital GPIO pin
		AIN5	AI	ADC analog input pin
		CPP0	AI	Analog comparator Positive input pin
3	2	/RESET	I(ST)	The Schmitt trigger input pin for hardware device reset. A “Low” on this pin for 768 clock counter of Internal RC 22.1184 MHz while the system clock is running will reset the device. /RESET pin has an internal pull-up resistor allowing power-on reset by simply connecting an external capacitor to GND.
4	3	P3.0	I/O	Digital GPIO pin
		AIN6	AI	ADC analog input pin
		CPN1	AI	Analog comparator negative input pin
5		AVSS	AP	Ground pin for analog circuit
6	4	P5.4	I/O	Digital GPIO pin
7	5	P3.1	I/O	Digital GPIO pin
		AIN7	AI	ADC analog input pin
		CPP1	AI	Analog comparator positive input pin
8	6	P3.2	I/O	Digital GPIO pin
		INT0	I	External interrupt 0 input pin
		STADC	I	ADC external trigger input pin
		T0EX	I	Timer 0 external capture/reset trigger input pin
9	7	P3.4	I/O	Digital GPIO pin
		T0	I/O	Timer 0 external event counter input pin
		SDA	I/O	I ² C data I/O pin
10	8	P3.5	I/O	Digital GPIO pin
		T1	I/O	Timer 1 external event counter input pin
		SCL	I/O	I ² C clock I/O pin
11		NC		Not connected
12		NC		Not connected
13		NC		Not connected



Pin Number		Pin Name	Pin Type	Description
LQFP 48-pin	QFN 33-pin			
14	9	P3.6	I/O	Digital GPIO pin
		CPO0	O	Analog comparator output pin
		CKO	O	Frequency divider output pin
		T1EX	I	Timer 1 external capture/reset trigger input pin
15	10	P5.1	I/O	Digital GPIO pin
		XTAL2	O	The output pin from the internal inverting amplifier. It emits the inverted signal of XTAL1.
16	11	P5.0	I/O	Digital GPIO pin
		XTAL1	I	The input pin to the internal inverting amplifier. The system clock could be from external crystal or resonator.
17	12	VSS	P	Ground pin for digital circuit
	33			
18		LDO_C A P	P	LDO output pin
19		P5.5	I/O	Digital GPIO pin User program must enable pull-up resistor in the QFN-33 package.
20	13	P5.2	I/O	Digital GPIO pin
		INT1	I	External interrupt 1 input pin
21		NC		Not connected
22	14	P2.2	I/O	Digital GPIO pin
		PWM0	O	PWM0 output of PWM unit
23	15	P2.3	I/O	Digital GPIO pin
		PWM1	O	PWM1 output of PWM unit
24	16	P2.4	I/O	Digital GPIO pin
		PWM2	O	PWM2 output of PWM unit
25	17	P2.5	I/O	Digital GPIO pin
		PWM3	O	PWM3 output of PWM unit
26	18	P2.6	I/O	Digital GPIO pin
		PWM4	O	PWM4 output of PWM unit
		CPO1	O	Analog comparator output pin
27		NC		Not connected

NUMICRO™ MINI51 SERIES DATASHEET



NUMICRO™ MINI51 SERIES DATASHEET

Pin Number		Pin Name	Pin Type	Description
LQFP 48-pin	QFN 33-pin			
28		NC		Not connected
29	19	P4.6	I/O	Digital GPIO pin
		ICE_CLK	I	Serial wired debugger clock pin
30	20	P4.7	I/O	Digital GPIO pin
		ICE_DAT	I/O	Serial wired debugger data pin
31		NC		Not connected
32	21	P0.7	I/O	Digital GPIO pin
		SPICLK	I/O	SPI serial clock pin
33	22	P0.6	I/O	Digital GPIO pin
		MISO	I/O	SPI MISO (master in/slave out) pin
34	23	P0.5	I/O	Digital GPIO pin
		MOSI	O	SPI MOSI (master out/slave in) pin
35	24	P0.4	I/O	Digital GPIO pin
		SPISS	I/O	SPI slave select pin
		PWM5	O	PWM5 output of PWM unit
36		NC		Not connected
37	25	P0.1	I/O	Digital GPIO pin
		RTSn	O	UART RTS pin
		RX	I	UART data receiver input pin
		SPISS	I/O	SPI slave select pin
38	26	P0.0	I/O	Digital GPIO pin
		CTSn	I	UART CTS pin
		TX	O	UART transmitter output pin
39		NC		Not connected
40		NC		Not connected
41	27	P5.3	I/O	Digital GPIO pin
		AIN0	AI	ADC analog input pin
42	28	VDD	P	Power supply for digital circuit
43		AVDD	P	Power supply for analog circuit
44	29	P1.0	I/O	Digital GPIO pin



Pin Number		Pin Name	Pin Type	Description
LQFP 48-pin	QFN 33-pin			
		AIN1	AI	ADC analog input pin
45	30	P1.2	I/O	Digital GPIO pin
		AIN2	AI	ADC analog input pin
		RX	I	UART data receiver input pin
46	31	P1.3	I/O	Digital GPIO pin
		AIN3	AI	ADC analog input pin
		TX	O	UART transmitter output pin
47	32	P1.4	I/O	Digital GPIO pin
		AIN4	I/O	PWM5: PWM output/Capture input
		CPN0	AI	Analog comparator negative input pin
48		NC		Not connected

Table 3.3-1 NuMicro Mini51™ Series Pin Description

[1] I/O type description: I: input, O: output, I/O: quasi bi-direction, D: open-drain, P: power pin, ST: Schmitt trigger, A: Analog input.



4 BLOCK DIAGRAM

4.1 NuMicro Mini51™ Block Diagram

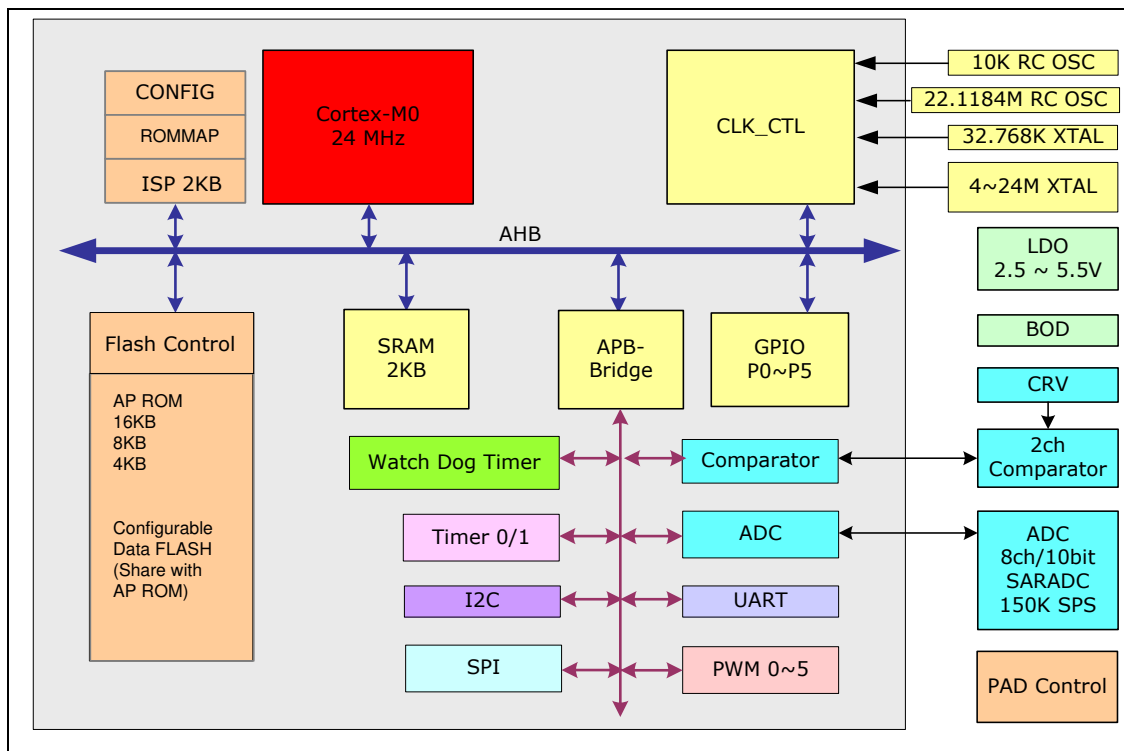


Figure 4.1-1 NuMicro Mini51™ Series Block Diagram

5 FUNCTIONAL DESCRIPTION

5.1 Memory Organization

5.1.1 Overview

The NuMicro Mini51™ series provides a 4G-byte address space for programmers. The memory locations assigned to each on-chip modules are shown in [錯誤! 找不到參照來源。](#). The detailed register and memory addressing and programming will be described in the following sections for individual on-chip modules. The NuMicro Mini51™ series only supports little-endian data format.



5.1.2 System Memory Map

The memory locations assigned to each on-chip controllers are shown in the following table.

Address Space	Token	Controllers
Flash and SRAM Memory Space		
0x0000_0000 – 0x0000_3FFF	FLASH_BA	Flash Memory Space (16 KB)
0x2000_0000 – 0x2000_07FF	SRAM_BA	SRAM Memory Space (2 KB)
AHB Controllers Space (0x5000_0000 – 0x501F_FFFF)		
0x5000_0000 – 0x5000_01FF	GCR_BA	Global Control Registers
0x5000_0200 – 0x5000_02FF	CLK_BA	Clock Control Registers
0x5000_0300 – 0x5000_03FF	INT_BA	Interrupt Multiplexer Control Registers
0x5000_4000 – 0x5000_7FFF	GP_BA	GPIO Control Registers
0x5000_C000 – 0x5000_FFFF	FMC_BA	Flash Memory Control Registers
APB1 Controllers Space (0x4000_0000 – 0x401F_FFFF)		
0x4000_4000 – 0x4000_7FFF	WDT_BA	Watchdog Timer Control Registers
0x4001_0000 – 0x4001_3FFF	TMR_BA	Timer0/Timer1 Control Registers
0x4002_0000 – 0x4002_3FFF	I2C_BA	I ² C Interface Control Registers
0x4003_0000 – 0x4003_3FFF	SPI_BA	SPI Control Registers
0x4004_0000 – 0x4004_3FFF	PWM_BA	PWM Control Registers
0x4005_0000 – 0x4005_3FFF	UART_BA	UART Control Registers
0x400D_0000 – 0x400D_3FFF	CMP_BA	Analog Comparator Control Registers
0x400E_0000 – 0x400E_3FFF	ADC_BA	Analog-Digital-Converter (ADC) Control Registers
System Controllers Space (0xE000_E000 – 0xE000_EFFF)		
0xE000_E010 – 0xE000_E0FF	SCS_BA	System Timer Control Registers
0xE000_E100 – 0xE000_ECFF	SCS_BA	Nested Vectored Interrupt Control Registers
0xE000_ED00 – 0xE000_ED8F	SCB_BA	System Control Block Registers

Table 5.1-1 Address Space Assignments for On-Chip Modules

5.2 Nested Vectored Interrupt Controller (NVIC)

5.2.1 Overview

The Cortex™-M0 CPU provides an interrupt controller as an integral part of the exception mode, named “Nested Vectored Interrupt Controller (NVIC)”. It is closely coupled to the processor kernel and provides the following features.

5.2.2 Features

- Nested and Vectored interrupt support
- Automatic processor state saving and restoration
- Dynamic priority change
- Reduced and deterministic interrupt latency

The NVIC prioritizes and handles all supported exceptions. All exceptions are handled in “Handler mode”. This NVIC architecture supports 32 (IRQ[31:0]) discrete interrupts with 4 levels of priority. All of the interrupts and most of the system exceptions can be configured to different priority levels. When an interrupt occurs, the NVIC will compare the priority of the new interrupt to the current running one’s priority. If the priority of the new interrupt is higher than the current one, the new interrupt handler will override the current handler.

When an interrupt is accepted, the starting address of the Interrupt Service Routine (ISR) is fetched from a vector table in memory. There is no need to determine which interrupt is accepted and branch to the starting address of the correlated ISR by software. While the starting address is fetched, the NVIC will also automatically save the processor state including the registers “PC, PSR, LR, R0~R3, R12” to the stack. At the end of the ISR, the NVIC will restore the mentioned registers from stack and resume the normal execution. Thus it will take less and deterministic time to process the interrupt request.

The NVIC supports “Tail Chaining” which handles back-to-back interrupts efficiently without the overhead of states saving and restoration and therefore reduces delay time in switching to pending ISR at the end of current ISR. The NVIC also supports “Late Arrival” which improves the efficiency of concurrent ISRs. When a higher priority interrupt request occurs before the current ISR starts to execute (at the stage of state saving and starting address fetching), the NVIC will give priority to the higher one without delay penalty. Thus it advances the real-time capability.

For more detailed information, please refer to the “ARM® Cortex™-M0 Technical Reference Manual” and “ARM® v6-M Architecture Reference Manual”.

5.2.3 Exception Model and System Interrupt Map

The exception model supported by the NuMicro Mini51™ series is listed in the following table. Software can set four levels of priority on some of these exceptions as well as on all interrupts. The highest user-configurable priority is denoted as “0” and the lowest priority is denoted as “3”. The default priority of all the user-configurable interrupts is “0”. Note that the priority “0” is treated as the fourth priority on the system, after the three system exceptions “Reset”, “NMI” and “Hard

Fault”.

Exception Name	Exception Number	Priority
Reset	1	-3
NMI	2	-2
Hard Fault	3	-1
Reserved	4 ~ 10	Reserved
SVCall	11	Configurable
Reserved	12 ~ 13	Reserved
PendSV	14	Configurable
SysTick	15	Configurable
Interrupt (IRQ0 ~ IRQ31)	16 ~ 47	Configurable

Table 5.2-1 Exception Model

Exception Number	IRQ Number (Bit in Interrupt Registers)	Exception Name	Source IP	Exception Description	Power-down Wake-up
1 ~ 15	-	-	-	System exceptions	-
16	0	BOD_OUT	Brown-out	Brown-out low voltage detected interrupt	Yes
17	1	WDT_INT	WDT	Watchdog Timer interrupt	Yes
18	2	EINT0	GPIO	External signal interrupt from P3.2 pin	Yes
19	3	EINT1	GPIO	External signal interrupt from P5.2 pin	Yes
20	4	GP0/1_INT	GPIO	External signal interrupt from GPIO group P0~P1	Yes
21	5	GP2/3/4_INT	GPIO	External signal interrupt from GPIO group P2~P4 except P3.2	Yes
22	6	PWM_INT	PWM	PWM interrupt	No
23	7	BRAKE_INT	PWM	PWM interrupt	No
24	8	TMR0_INT	TMR0	Timer 0 interrupt	Yes
25	9	TMR1_INT	TMR1	Timer 1 interrupt	Yes
26 ~ 27	10 ~ 11	-	-	-	-
28	12	UART_INT	UART	UART interrupt	Yes
29	13	-	-	-	-



Exception Number	IRQ Number (Bit in Interrupt Registers)	Exception Name	Source IP	Exception Description	Power-down Wake-up
30	14	SPI_INT	SPI	SPI interrupt	No
31	15	-	-	-	
32	16	GP5_INT	GPIO	External signal interrupt from GPIO group P5 except P5.2	Yes
33	17	HFIRC_TRIM_INT	HFIRC	HFIRC trim interrupt	No
34	18	I2C_INT	I ² C	I ² C interrupt	No
35 ~ 40	19 ~ 24	-	-	-	
41	25	ACMP_INT	ACMP	Analog Comparator 0 or 1 interrupt	Yes
42 ~ 43	26 ~ 27	-	-	-	
44	28	PWRWU_INT	CLKC	Clock controller interrupt for chip wake-up from Power-down state	Yes
45	29	ADC_INT	ADC	ADC interrupt	No
46 ~ 47	30 ~ 31	-	-	-	

Table 5.2-2 System Interrupt Map

5.2.4 Vector Table

When an interrupt is accepted, the processor will automatically fetch the starting address of the interrupt service routine (ISR) from a vector table in memory. For ARMv6-M, the vector table based address is fixed at 0x0000_0000. The vector table contains the initialization value for the stack pointer on reset, and the entry point addresses for all exception handlers. The vector number on previous page defines the order of entries in the vector table associated with the exception handler entry as illustrated in the previous section.

Vector Table Word Offset (Bytes)	Description
0x00	Initial Stack Pointer Value
Exception Number × 0x04	Exception Entry Pointer using that Exception Number

Table 5.2-3 Vector Table Format

5.2.5 NVIC Operation

NVIC interrupts can be enabled or disabled by writing to their corresponding Interrupt Set-Enable or Interrupt Clear-Enable register bit-field. The registers use a write-1-to-enable and write-1-to-clear policy, and both registers reading back the current enabled state of the corresponding interrupts. When an interrupt is disabled, interrupt assertion will cause the interrupt to become Pending; however, the interrupt will not be activated. If an interrupt is Active when it is disabled, it remains in its Active state until cleared by reset or an exception return. Clearing the enable bit prevents new activations of the associated interrupt.

NVIC interrupts can be pended/un-pended using a complementary pair of registers to those used to enable/disable the interrupts, named the Set-Pending Register and Clear-Pending Register respectively. The registers use a write-1-to-enable and write-1-to-clear policy, both registers reading back the current pended state of the corresponding interrupts. The Clear-Pending Register has no effect on the execution status of an Active interrupt.

NVIC interrupts are prioritized by updating an 8-bit field within a 32-bit register (each register supporting four interrupts).

The general registers associated with the NVIC are all accessible from a block of memory in the System Control Space and will be described in the next section.

5.3 System Manager

5.3.1 Overview

The following functions are included in the system manager section:

- System Memory Map
- System Timer (SysTick)
- Nested Vectored Interrupt Controller (NVIC)
- System management registers for product ID
- System management registers for chip and module functional reset and multi-function pin control
- Brown-out and chip miscellaneous Control Register
- Combined peripheral interrupt source identify

5.3.2 System Reset

The system reset includes one of the following as the event occurs. For these reset events flags can be read by RSTSRC register.

- Power-On Reset (POR)
- Low level on the /RESET pin
- Watchdog Time-out Reset (WDT)
- Brown-out Detected Reset (BOD)
- Cortex™-M0 CPU Reset
- Software one shot Reset

5.3.3 System Power Distribution

In this device, the power distribution is divided into three segments.

- Analog power from AVDD and AVSS supplies power for analog module operation
- Digital power from VDD and VSS supplies power to the internal regulator which provides a fixed 1.8V power for digital operation and I/O pins
- Built-in capacitor for internal voltage regulator

The output of internal voltage regulator, LDO_CAP, requires an external capacitor which should be located close to the corresponding pin. [錯誤! 找不到參照來源。](#) shows the power architecture of this device.

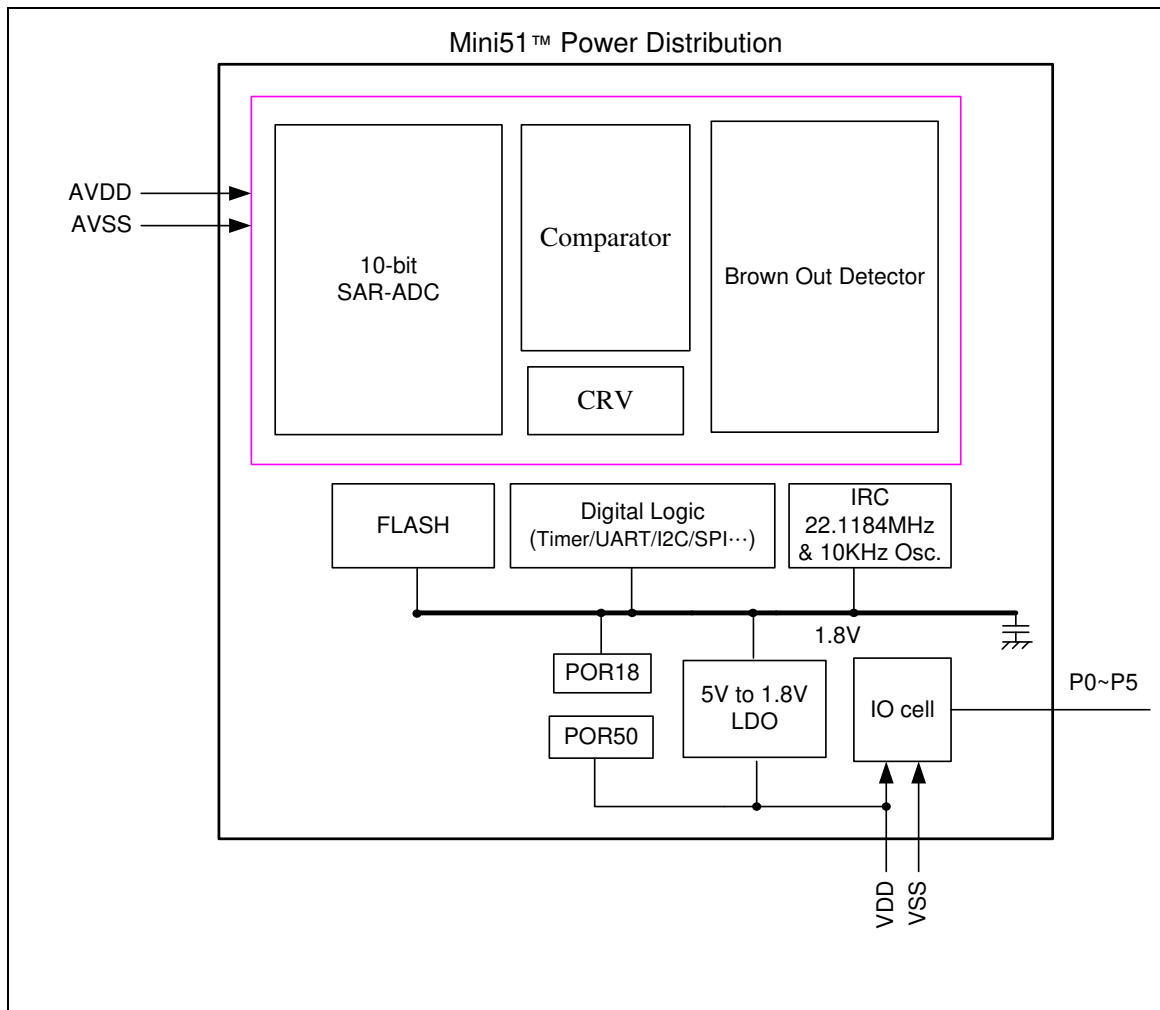


Figure 5.3-1 NuMicro Mini51™ Series Power Distribution Diagram



5.3.4 Memory Mapping Table

Mini51/52/54		System Control				
4 GB	Reserved	0xFFFF_FFFF 0xE000_F000	System Control	0xE000_ED00	SCS_BA	
	System Control	0xE000_EFFF 0xE000_E000	External Interrupt Control	0xE000_E100	SCS_BA	
	Reserved	0xE000_E00F 0x6002_0000	System Timer Control	0xE000_E010	SCS_BA	
	Reserved	0x6001_FFFF 0x6000_0000				
	Reserved	0x5FFF_FFFF 0x5020_0000				
	AHB	0x501F_FFFF 0x5000_0000				
	Reserved	0x4FFF_FFFF 0x4020_0000				
	APB	0x401F_FFFF 0x4000_0000				
	1 GB	Reserved	0x3FFF_FFFF 0x2000_0800			
		2 KB SRAM	0x2000_07FF 0x2000_0000			
0.5 GB		Reserved	0x1FFF_FFFF 0x0000_4000			
		16 KB on-chip Flash (Mini54)	0x0000_3FFF			
	8 KB on-chip Flash (Mini52)	0x0000_1FFF				
	4 KB on-chip Flash (Mini51)	0x0000_0FFF 0x0000_0000				
0 GB			AHB peripherals			
			FMC	0x5000_C000	FMC_BA	
			GPIO Control	0x5000_4000	GP_BA	
			Interrupt Multiplexer Control	0x5000_0300	INT_BA	
			Clock Control	0x5000_0200	CLK_BA	
			System Global Control	0x5000_0000	GCR_BA	
			APB peripherals			
			ADC Control	0x400E_0000	ADC_BA	
			ACMP Control	0x400D_0000	CMP_BA	
			UART Control	0x4005_0000	UART_BA	
		PWM Control	0x4004_0000	PWM_BA		
		SPI Control	0x4003_0000	SPI_BA		
		I2C Control	0x4002_0000	I2C_BA		
		Timer0/Timer1 Control	0x4001_0000	TMR_BA		
		WDT Control	0x4000_4000	WDT_BA		

Table 5.3-1 Memory Mapping Table

5.4 Clock Controller

5.4.1 Overview

The clock controller generates the clocks for the whole chip, including system clocks and all peripheral clocks. The clock controller also implements the power control function with the individually clock ON/OFF control, clock source selection and a 4-bit clock divider. The chip will not enter Power-down mode until CPU sets the power-down enable bit (PWR_DOWN_EN) and Cortex-M0 core executes the WFI instruction. After that, the chip enters Power-down mode and wait for wake-up interrupt source triggered to leave Power-down mode. In Power-down mode, the clock controller turns off the external crystal and internal 22.1184 MHz oscillator to reduce the overall system power consumption.

5.4.2 Clock Generator

The clock generator consists of 3 sources which are listed below:

- One external 12 MHz (HXT) or 32 KHz (LXT) crystal
- One internal 22.1184 MHz RC oscillator (HIRC)
- One internal 10 KHz oscillator (LIRC)

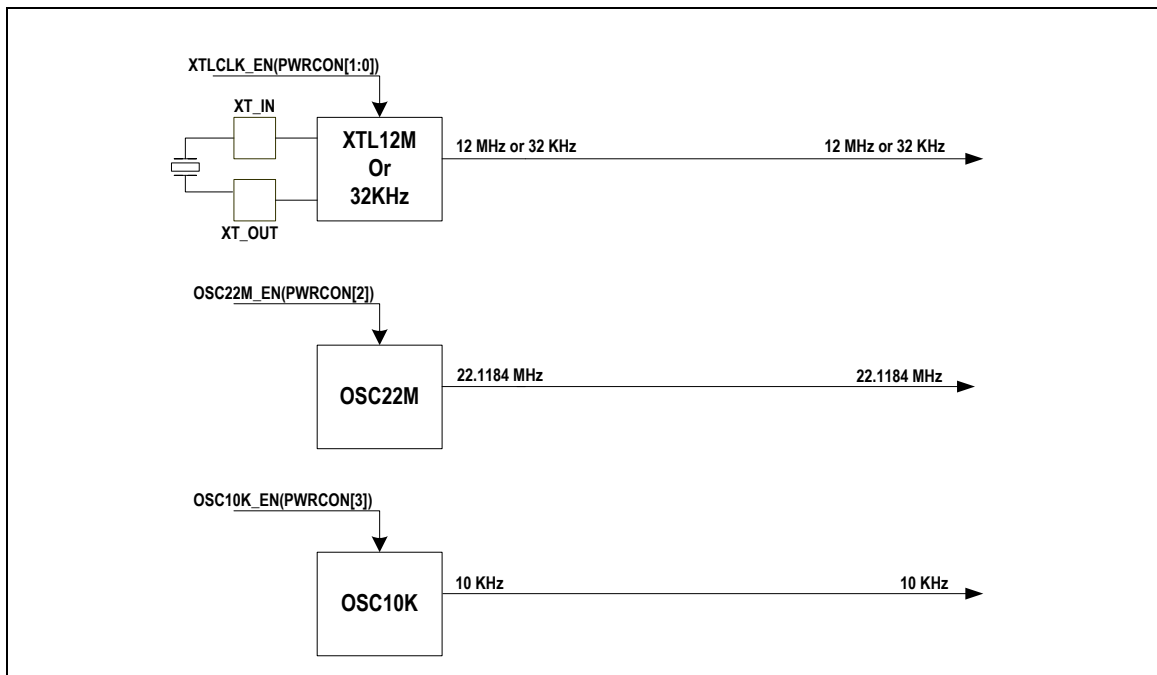


Figure 5.4-1 Clock Generator Block Diagram



5.4.3 System Clock and SysTick Clock

The system clock has 3 clock sources which were generated from clock generator block. The clock source switch depends on the register HCLK_S (CLKSEL0[2:0]). The block diagram is shown below.

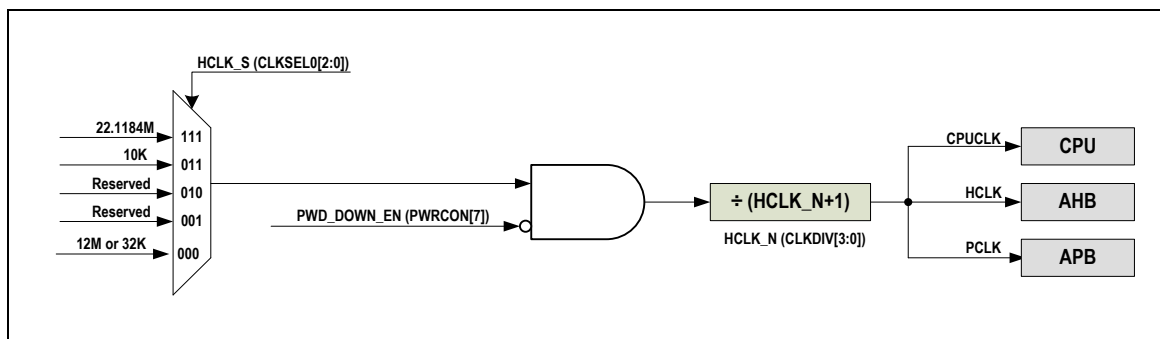


Figure 5.4-2 System Clock Block Diagram

The clock source of SysTick in Cortex-M0 core can use CPU clock or external clock (SYST_CSR[2]). If using external clock, the SysTick clock (STCLK) has 4 clock sources. The clock source switch depends on the setting of the register STCLK_S (CLKSEL0[5:3]). The block diagram is shown in 錯誤! 找不到參照來源。 .

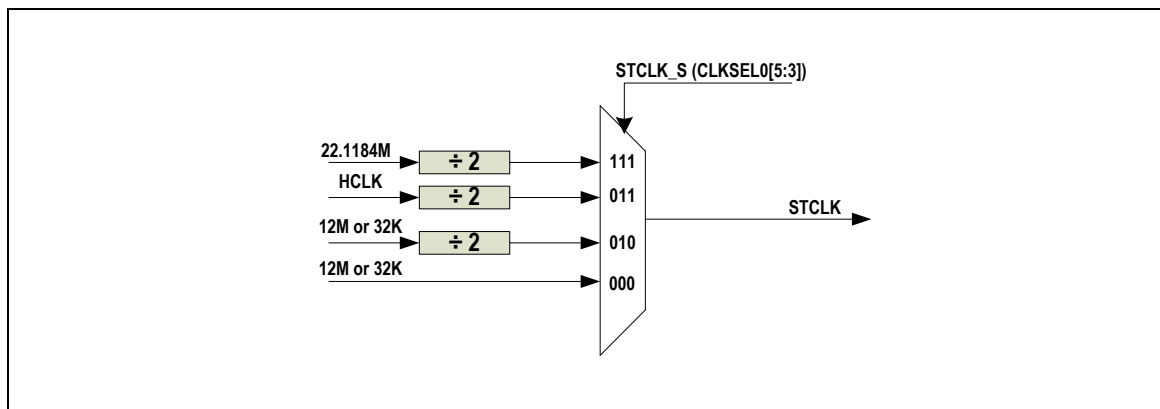


Figure 5.4-3 SysTick Clock Control Block Diagram



5.4.4 AHB Clock Source Selection

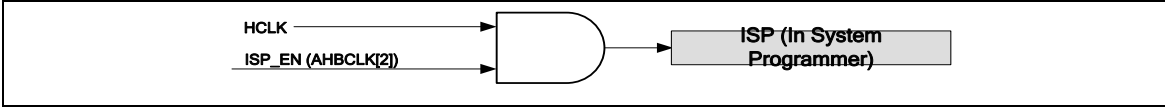


Figure 5.4-4 AHB Clock Source for HCLK

5.4.5 Peripheral Clock Source Selection

The peripheral clock has different clock source switch settings depending on different peripherals. Please refer to the CLKSEL1 and APBCLK register description in section 錯誤! 找不到參照來源 . .

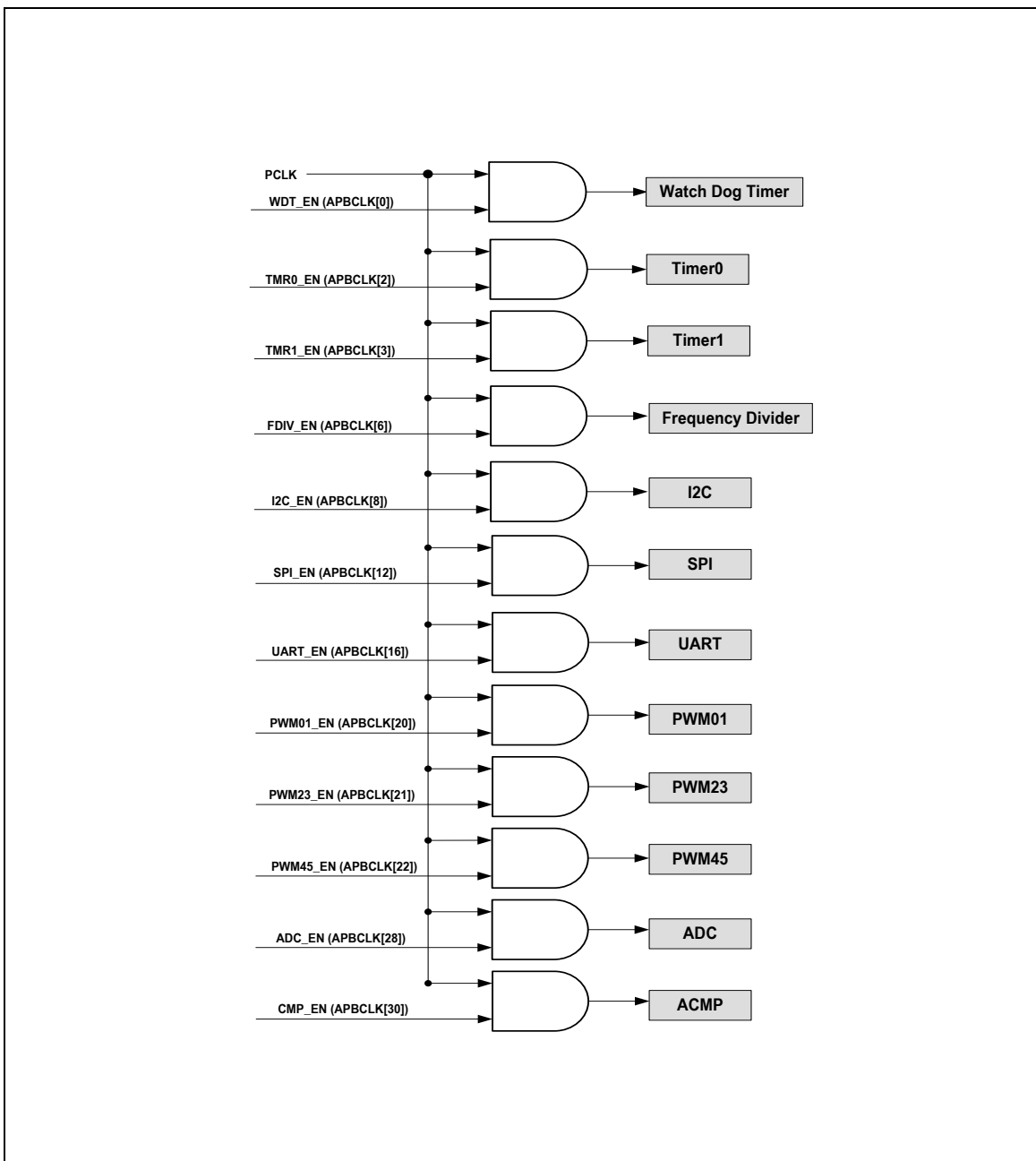


Figure 5.4-5 Peripherals Clock Source Selection for PCLK



	Ext. CLK (12M or 32K)	IRC22.1184M	IRC10K	PCLK
WDT	Yes	No	Yes	Yes
Timer0	Yes	Yes	Yes	Yes
Timer1	Yes	Yes	Yes	Yes
I ² C	No	No	No	Yes
SPI	No	No	No	Yes
UART	Yes	Yes	No	No
PWM	No	No	No	Yes
ADC	Yes	Yes	No	Yes
ACMP	No	No	No	Yes

Table 5.4-1 Peripherals Engine Clock Source Selection Table

5.4.6 Power-down Mode Clock

When entering Power-down mode, some clock sources and peripheral clocks and system clocks will be disabled. Some clock sources and peripheral clocks are still active in Power-down mode.

Clocks that still be kept active are listed below.

- Clock Generator
 - ◆ Internal 10 KHz RC oscillator (LIRC) clock
 - ◆ External 32.768 KHz crystal oscillator (LXT) clock (If PD_32K = "1" and XTLCLK_EN[1:0] = "10")
- Peripherals Clock (When these IP adopt 10 KHz as clock source)
 - ◆ Watchdog Clock
 - ◆ Timer 0/1 Clock

5.4.7 Frequency Divider Output

This device is equipped with a power-of-2 frequency divider which is composed of 16 chained divide-by-2 shift registers. One of the 16 shift register outputs selected by a sixteen to one multiplexer is reflected to P3.6. Therefore, there are 16 options of power-of-2 divided clocks with the frequency from $F_{in}/2^1$ to $F_{in}/2^{16}$ where F_{in} is input clock frequency to the clock divider.

The output formula is $F_{out} = F_{in}/2^{(N+1)}$, where F_{in} is the input clock frequency, F_{out} is the clock divider output frequency and N is the 4-bit value in $FREQDIV.FSEL[3:0]$.

When $FREQDIV.FDIV_EN[4]$ is set to high, the rising transition will reset the chained counter and starts counting. When $FREQDIV.FDIV_EN[4]$ is written with zero, the chained counter continuously runs until the divided clock reaches low state and stays in low state.

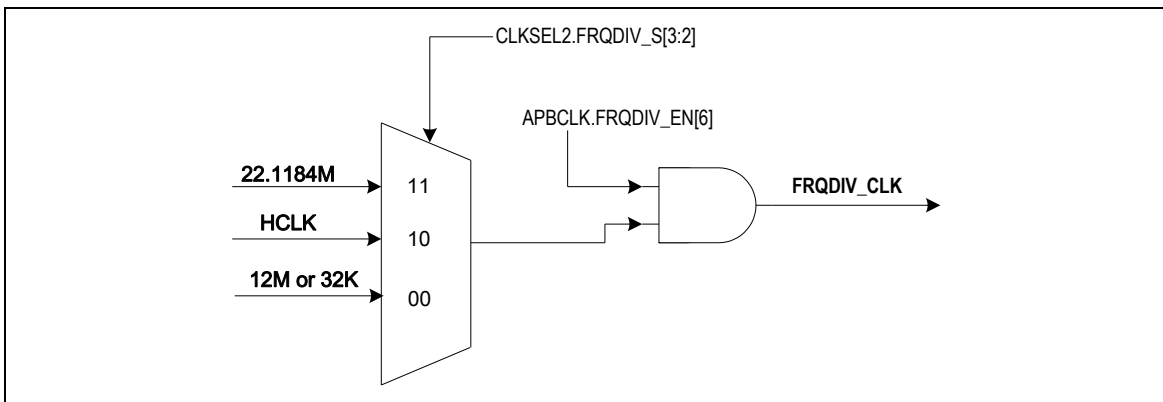


Figure 5.4-6 Clock Source of Frequency Divider

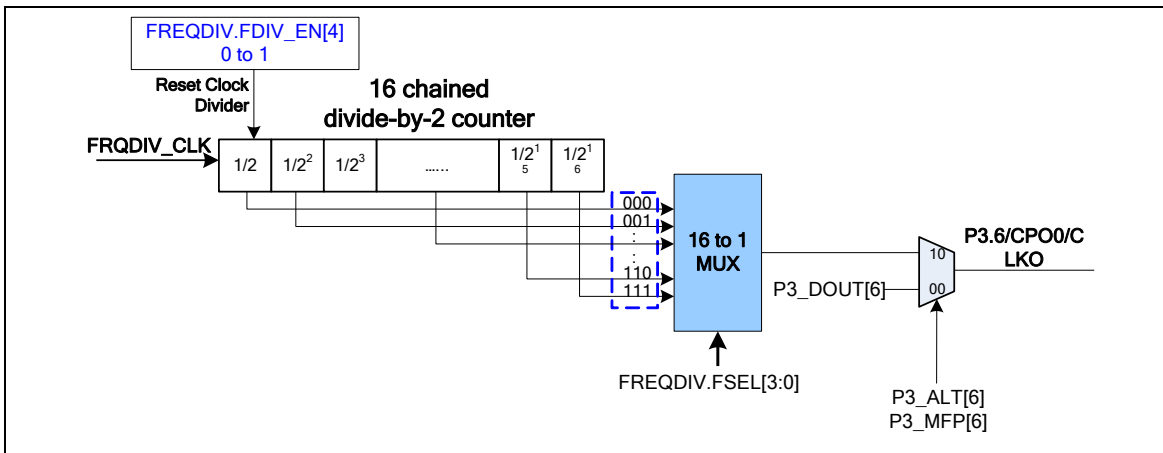


Figure 5.4-7 Block Diagram of Frequency Divider

5.5 Comparator Controller (CMPC)

5.5.1 Overview

The NuMicro Mini51™ Series contains two comparators which can be used in a number of different configurations. The comparator output is a logical one when positive input is greater than negative input; otherwise, the output is zero. Each comparator can be configured to cause an interrupt when the comparator output value changes. The block diagram is shown in [錯誤! 找不到參照來源。](#)

Note that the analog input port pins must be configured as the input type before Analog Comparator function is enabled.

5.5.2 Features

- Analog input voltage range: 0 ~ 5.0V
- Hysteresis function support
- Two analog comparators with optional internal reference voltage input at negative end
- One comparator interrupt requested by one of the comparators

5.6 Analog-to-Digital Converter (ADC)

5.6.1 Overview

The NuMicro Mini51™ series contains one 10-bit successive approximation analog-to-digital converters (SAR A/D converter) with 8 input channels. The A/D converters can be started by software and external STADC/P3.2 pin.

Note that the analog input pins must be configured as input type before ADC function is enabled.

5.6.2 Features

- Analog input voltage range: 0 ~ Vref (Max to 5.0 V)
- 10-bit resolution and 8-bit accuracy is guaranteed
- Up to 8 single-end analog input channels
- Maximum ADC clock frequency is 6 MHz
- Up to 150K SPS conversion rate
- An A/D conversion is performed one time on a specified channel
- An A/D conversion can be started by:
 - ◆ Software write “1” to ADST bit
 - ◆ External pin STADC
- Conversion results are held in data register with valid and overrun indicators
- Conversion results can be compared with specified value and user can select whether to generate an interrupt when conversion results are equal to the compare register settings
- Channel 7 supports 2 input sources: External analog voltage and internal fixed band-gap voltage

5.7 Flash Memory Controller (FMC)

5.7.1 Overview

The NuMicro Mini51™ series is equipped with 4K/8K/16K bytes on chip embedded Flash EPROM for application program memory (APROM) that can be updated through ISP procedure. In System Programming (ISP) function enables user to update program memory when chip is soldered on PCB. After chip powered on Cortex-M0 CPU fetches code from APROM or LDROM decided by boot select (CBS) in Config0. By the way, the NuMicro Mini51™ series also provides DATA Flash Region, where the data flash is shared with original program memory and its start address is configurable and defined by user in Config1. The data flash size is defined by user depending on the application request.

5.7.2 Features

- Compatible with AHB interface
- Running up to 24 MHz with zero wait state for discontinuous address read access
- 4K/8K/16KB application program memory (APROM)
- 2KB in system programming (ISP) loader program memory (LDROM)
- Programmable data flash start address and memory size with 512 bytes page erase unit
- In System Program (ISP) to update on chip Flash EPROM

5.8 General Purpose I/O

5.8.1 Overview

There are 30 General Purpose I/O pins shared with special feature functions in this MCU. The 30 pins are arranged in 6 ports named P0, P1, P2, P3, P4 and P5. Each of the 30 pins is independent and has the corresponding register bits to control the pin mode function and data.

The I/O type of each I/O pin can be independently software configured as input, output, open-drain, or Quasi-bidirectional mode. After reset, the I/O type of all pins stay in input mode and port data register Px_DOUT[n] resets to "1". For Quasi-bidirectional mode, each I/O pin is equipped with a very weak individual pull-up resistor about 110KΩ ~ 300KΩ for VDD from 5.0V to 2.5V.

5.8.2 Features

- Four I/O modes:
 - ◆ Quasi bi-direction
 - ◆ Push-Pull output
 - ◆ Open-Drain output
 - ◆ Input-only with high impedance
- TTL/Schmitt trigger input selectable
- I/O pin can be configured as interrupt source with edge/level setting
- High driver and high sink IO mode support

5.9 I²C Serial Interface Controller (Master/Slave)

5.9.1 Overview

I²C is a two-wire, bi-directional serial bus that provides a simple and efficient method of data exchange between devices. The I²C standard is a true multi-master bus including collision detection and arbitration that prevents data corruption if two or more masters attempt to control the bus simultaneously. Serial 8-bit oriented bi-directional data transfers can be made up to 1.0 Mbps.

Data is transferred between a master and a slave synchronously to SCL on the SDA line on a byte-by-byte basis. Each data byte is 8 bits long. There is one SCL clock pulse for each data bit with the MSB being transmitted first. An acknowledge bit follows each transferred byte. Each bit is sampled during the high period of SCL; therefore, the SDA line may be changed only during the low period of SCL and must be held stable during the high period of SCL. A transition on the SDA line while SCL is high is interpreted as a command (START or STOP). Please refer to the following figure for more detailed I²C BUS Timing.

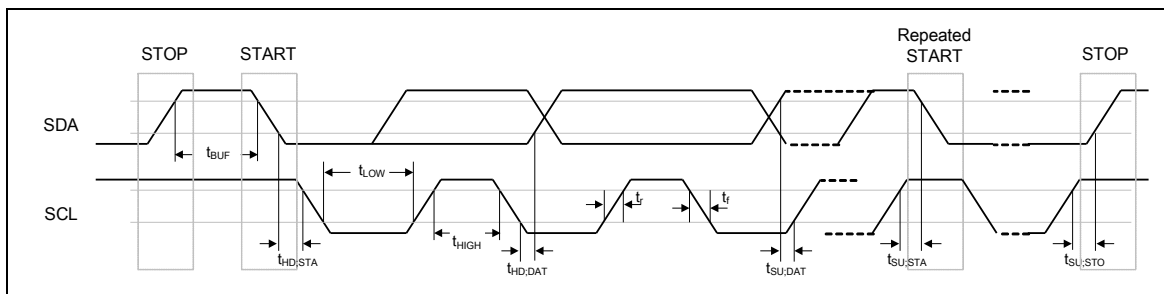


Figure 5.9-1 Bus Timing

The device's on-chip I²C logic provides the serial interface that meets the I²C bus standard mode specification. The I²C port handles byte transfers autonomously. To enable this port, the bit ENS1 in I2CON should be set to "1". The I²C hardware interfaces to the I²C bus via two pins: SDA (P3.4, serial data line) and SCL (P3.5, serial clock line). Since the pull-up resistor is needed for Pin P3.4 and P3.5 for I²C operation as these are open-drain pins. When the I/O pins are used as I²C port, user must set the pins function to I²C in advance.

5.9.2 Features

The I²C bus uses two wires (SDA and SCL) to transfer information between devices connected to the bus. The main features of the bus are:

- Supports Master/Slave mode
- Bi-directional data transfer between masters and slaves
- Multi-master bus (no central master)
- Arbitration between simultaneously transmitting masters without corruption of serial data on the bus
- Serial clock synchronization allowing devices with different bit rates to communicate via one serial bus
- Serial clock synchronization can be used as a handshake mechanism to suspend and resume serial transfer



- Built-in 14-bit time-out counter that requests the I²C interrupt if the I²C bus hangs up and timer-out counter overflows
- External pull-up needed for higher output pull-up speed
- Programmable clocks allowing for versatile rate control
- Supports 7-bit addressing mode
- Supports multiple address recognition (four slave address registers with mask option)

5.10 Enhanced PWM Generator

5.10.1 Overview

The NuMicro Mini51™ series has built one PWM unit which is specially designed for motor driving control applications. The PWM unit supports 6 PWM generators which can be configured as 6 independent PWM outputs, PWM0~PWM5, or as 3 complementary PWM pairs, (PWM0, PWM1), (PWM2, PWM3) and (PWM4, PWM5) with 3 programmable dead-zone generators.

Each PWM generator shares the 8-bit prescaler, clock divider providing 5 divided frequencies (1, 1/2, 1/4, 1/8, 1/16). Each PWM output has independent 16-bit counter for PWM period control, and 16-bit comparators for PWM duty control. The 6 PWM generators provide six independent PWM interrupt flags which are set by hardware when the corresponding PWM period counter comparison matched. Each PWM interrupt source with its corresponding enable bit can request PWM interrupt. The PWM generators can be configured as One-shot mode to produce only one PWM cycle signal or Auto-reload mode to output PWM waveform continuously.

5.10.2 Features

The PWM unit supports the following features:

- Six independent 16-bit PWM duty control units with maximum 6 port pins:
 - ◆ 6 independent PWM outputs – PWM0, PWM1, PWM2, PWM3, PWM4, and PWM5
 - ◆ 3 complementary PWM pairs, with each pin in a pair mutually complement to each other and capable of programmable dead-zone insertion – (PWM0, PWM1), (PWM2, PWM3) and (PWM4, PWM5)
 - ◆ 3 synchronous PWM pairs, with each pin in a pair in-phase – (PWM0, PWM1), (PWM2, PWM3) and (PWM4, PWM5)
- Group control bit – PWM2 and PWM4 are synchronized with PWM0
- One-shot (only support edge alignment mode) or Auto-reload mode PWM
- Up to 16-bit resolution
- Supports Edge-aligned and Center-aligned mode
- Programmable dead-zone insertion between complementary paired PWMs
- Each pin of PWM0 to PWM5 has independent polarity setting control
- Hardware fault brake protections
 - ◆ Two Interrupt source types:
 - Synchronously requested at PWM frequency when down counter comparison matched (edge- and center-aligned mode) or underflow (edge-aligned mode)
 - Requested when external fault brake asserted
 - ◆ BKP0: EINT0
 - ◆ BKP1: EINT1 or CPO0
- The PWM signals before polarity control stage are defined in view of positive logic. Whether the PWM ports are active high or active low is controlled by the polarity control register.

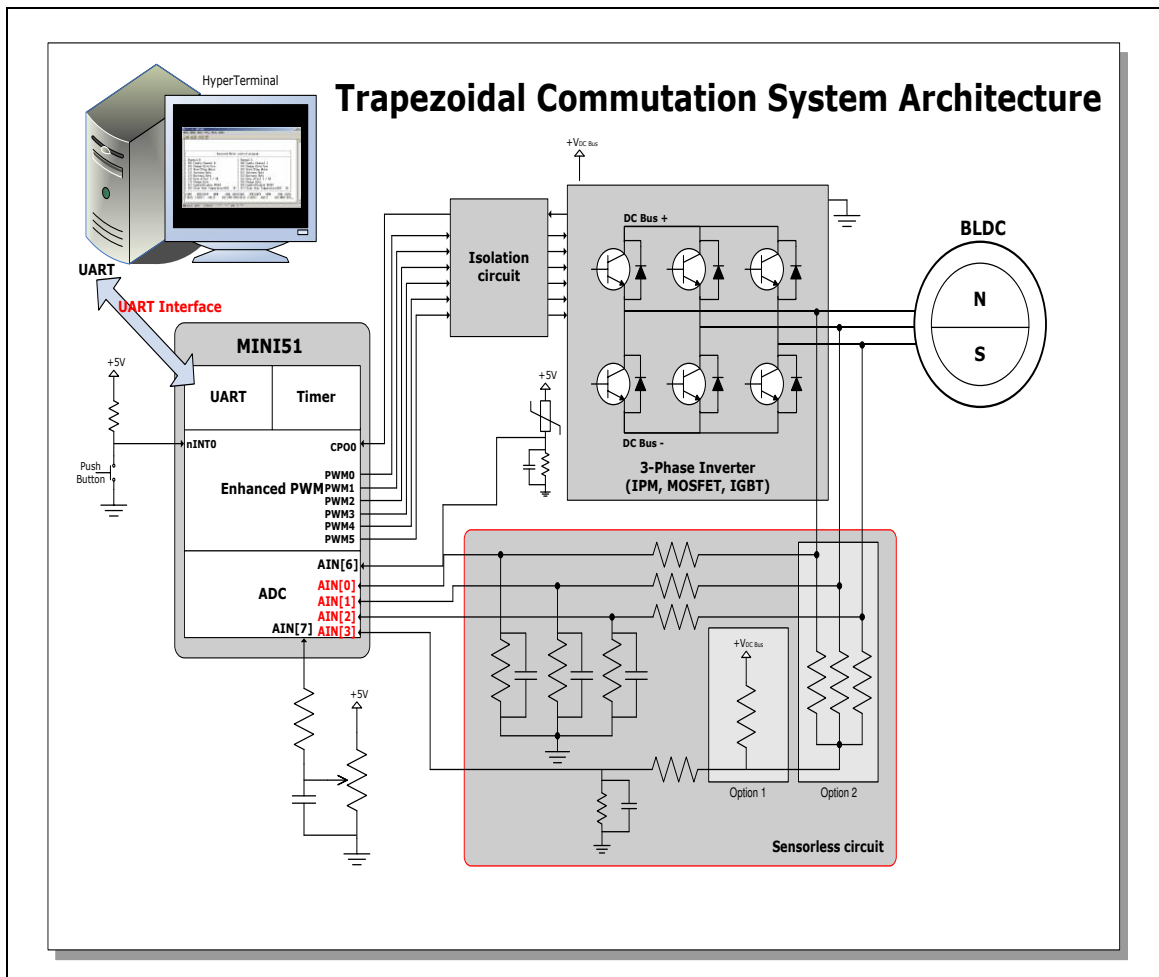


Figure 5.10-1 Application Circuit Diagram

5.11 Serial Peripheral Interface (SPI) Controller

5.11.1 Overview

The Serial Peripheral Interface (SPI) is a synchronous serial data communication protocol which operates in full duplex mode. Devices communicate in Master/Slave mode with 4-wire bi-direction interface. NuMicro Mini51™ series contain one set of SPI controller performing a serial-to-parallel conversion on data received from a peripheral device, and a parallel-to-serial conversion on data transmitted to a peripheral device. SPI controller can be set as a master; it also can be set as a slave controlled by an off-chip master device.

5.11.2 Features

- Supports Master or Slave mode operation
- MSB or LSB first transfer
- Byte or word Suspend mode
- Variable output serial clock frequency in Master mode
- Supports two programmable serial clock frequencies in Master mode

5.12 Timer Controller

5.12.1 Overview

The timer module includes two channels, TIMER0~TIMER1, which allow user to easily implement a timer control for applications. The timer can perform functions like frequency measurement, interval measurement, clock generation, delay timing, and so on. The timer can generate an interrupt signal upon time-out, or provide the current value of count during operation.

5.12.2 Features

- Two sets of 32-bit timers with 24-bit up-timer and one 8-bit pre-scale counter
- Independent clock source for each channel (TMR0_CLK, TMR1_CLK)
- Provides one-shot, periodic, toggle and continuous counting operation modes
- Time-out period = (period of timer clock input) * (8-bit pre-scale counter + 1) * (24-bit TCMP)
- Maximum counting cycle time = $(1 / T \text{ MHz}) * (2^8) * (2^{24})$; T is the period of timer clock
- Internal 24-bit up timer is readable through TDR (Timer Data Register)
- Supports event counting function to count the event from external pin
- Supports input capture function to capture or reset counter value



5.13 UART Interface Controller

The NuMicro Mini51™ series provides one channel of Universal Asynchronous Receiver/Transmitters (UART). UART performs Normal Speed UART, and support flow control function.

5.13.1 Overview

The Universal Asynchronous Receiver/Transmitter (UART) performs a serial-to-parallel conversion on data received from the peripheral, and a parallel-to-serial conversion on data transmitted from the CPU. The UART controller also supports IrDA SIR function, and RS-485 mode functions. Each UART channel supports six types of interrupts, including transmitter FIFO empty interrupt (INT_THRE), receiver threshold level reaching interrupt (INT_RDA), line status interrupt (parity error or framing error or break interrupt) (INT_RLS), receiver buffer time-out interrupt (INT_TOUT), MODEM/Wake-up status interrupt (INT_MODEM), and Buffer error interrupt (INT_BUF_ERR). Interrupt number 12 (vector number is 28) supports UART interrupt. Refer to Nested Vectored Interrupt Controller chapter for System Interrupt Map.

The UART is built-in with a 16-byte transmitter FIFO (TX_FIFO) and a 16-byte receiver FIFO (RX_FIFO) that reduces the number of interrupts presented to the CPU and the CPU can read the status of the UART at any time during the operation. The reported status information includes the type and condition of the transfer operations being performed by the UART, as well as 4 error conditions (parity error, framing error, break interrupt and buffer error) probably occur while receiving data. The UART includes a programmable baud rate generator that is capable of dividing crystal clock input by divisors to produce the clock that transmitter and receiver need. The baud rate equation is $Baud\ Rate = \frac{UART_CLK}{M * [BRD + 2]}$, where M and BRD are defined in Baud Rate Divider Register (UA_BAUD). The following table lists the equations in the various conditions and the UART baud rate setting table.

Table 5.13-1 UART Baud Rate Setting Table

Mode	DIV_X_EN	DIV_X_ONE	Divider X	BRD	Baud Rate Equation
0	0	0	B	A	$UART_CLK / [16 * (A+2)]$
1	1	0	B	A	$UART_CLK / [(B+1) * (A+2)]$, B must ≥ 8
2	1	1	Don't care	A	$UART_CLK / (A+2)$, A must ≥ 3

Table 5.13-2 UART Baud Rate Setting Table

System clock = 22.1184 MHz			
Baud rate	Mode0	Mode1	Mode2
921600	Not Support	A=0, B=11	A=22
460800	A=1	A=1, B=15 A=2, B=11	A=46
230400	A=4	A=4, B=15 A=6, B=11	A=94
115200	A=10	A=10, B=15	A=190

		A=14, B=11	
57600	A=22	A=22, B=15 A=30, B=11	A=382
38400	A=34	A=62, B=8 A=46, B=11 A=34, B=15	A=574
19200	A=70	A=126, B=8 A=94, B=11 A=70, B=15	A=1150
9600	A=142	A=254, B=8 A=190, B=11 A=142, B=15	A=2302
4800	A=286	A=510, B=8 A=382, B=11 A=286, B=15	A=4606

5.13.1.1 Auto-Flow Control

The UART controller supports auto-flow control function that uses two low-level signals, CTS_n (clear-to-send) and RTS_n (request-to-send), to control the flow of data transfer between the UART and external devices (ex: Modem). When auto-flow is enabled, the UART is not allowed to receive data until the UART asserts RTS_n to external device. When the number of bytes in the RX FIFO equals the value of RTS_TRI_LEV (UA_FCR[19:16]), the RTS_n is de-asserted. The UART sends data out when UART controller detects CTS_n is asserted from external device. If a validly asserted CTS_n is not detected the UART controller will not send data out.

5.13.1.2 IrDA Function Mode

The UART controllers also provides Serial IrDA (SIR, Serial Infrared) function (user must set IrDA_EN (UA_FUN_SEL[1:0]) to enable IrDA function). The SIR specification defines a short-range infrared asynchronous serial transmission mode with one start bit, 8 data bits, and 1 stop bit. The maximum data rate is 115.2 Kbps (half duplex). The IrDA SIR block contains an IrDA SIR Protocol encoder/decoder. The IrDA SIR protocol is half-duplex only. Thus it cannot transmit and receive data at the same time. The IrDA SIR physical layer specifies a minimum 10ms transfer delay between transmission and reception. This delay feature must be implemented by software.

5.13.1.3 RS-485 Function Mode

Alternate function of UART controllers is RS-485 9 bit mode function, direction control provided by RTS_n pin or can program GPIO (P0.1 for RTS_n) to implement the function by software. The RS-485 mode is selected by setting the UA_FUN_SEL register to select RS-485 function. The RS-485 driver control is implemented using the RTS_n control signal from an asynchronous serial port to enable the RS-485 driver. In RS-485 mode, many characteristics of the RX and TX are the same as UART.

5.13.2 Features

- Full duplex, asynchronous communications
- Separates receive/transmit 16 bytes entry FIFO for data payloads
- Supports hardware auto flow control/flow control function (CTS_n, RTS_n) and programmable RTS_n flow control trigger level
- Programmable receiver buffer trigger level
- Supports programmable baud-rate generator for each channel individually
- Supports CTS_n wake-up function
- Supports 7-bit receiver buffer time-out detection function
- Programmable transmitting data delay time between the last stop and the next start bit by setting UA_TOR[DLY] register
- Supports break error, frame error, parity error and receive/transmit buffer overflow detection function
- Fully programmable serial-interface characteristics
 - ◆ Programmable number of data bit, 5, 6, 7, 8 character
 - ◆ Programmable parity bit, even, odd, no parity or stick parity bit generation and detection
 - ◆ Programmable stop bit, 1, 1.5, or 2 stop bit generation
- Supports IrDA SIR function mode
 - ◆ Supports 3/16-bit duration for normal mode
- Supports RS-485 function mode
 - ◆ Supports RS-485 9-bit mode
 - ◆ Supports hardware or software RTS_n control or software GPIO control to control transfer direction

5.14 Watchdog Timer

5.14.1 Overview

The purpose of Watchdog Timer (WDT) is to perform a system reset after software runs into a problem. This prevents system from hanging for an infinite period of time. Besides, the Watchdog Timer supports another function to wake up CPU from Power-down mode. The Watchdog timer includes an 18-bit free running counter with programmable time-out intervals. The following table shows the Watchdog time-out interval selection and the following figure shows the timing of Watchdog interrupt signal and reset signal.

Setting WTE (WTCR[7]) will enable the watchdog timer and the WDT counter starts counting up. When the counter reaches the selected time-out interval, the Watchdog timer interrupt flag WTIF will be set immediately to request a WDT interrupt if the Watchdog timer interrupt enable bit WTIE is set; in the meanwhile, a specified delay time ($1024 * T_{WDT}$) follows the time-out event. User must set WTR (WTCR[0]) (Watchdog Timer Reset) high to reset the 18-bit WDT counter to avoid CPU from Watchdog Timer Reset before the delay time expires. The WTR bit is cleared automatically by hardware after the WDT counter is reset. There are eight time-out intervals with specific delay time which are selected by Watchdog timer interval select bits WTIS (WTCR[10:8]). If the WDT counter has not been cleared after the specific delay time expires, the Watchdog timer will set Watchdog Timer Reset Flag (WTRF) high and reset CPU. This reset will last 63 WDT clocks (TRST) and then CPU restarts executing program from reset vector (0x0000_0000). WTRF will not be cleared by Watchdog reset. User may poll WTRF through software to recognize the reset source. WDT also provides the wake-up function. When chip is powered down and the Watchdog Timer Wake-up Function Enable bit (WTCR[4]) is set, if the WDT counter has not been cleared after the specific delay time expires, the chip will be waked up from Power-down state.

WTIS	WTR Timeout Interval T_{TIS}	Interrupt Period T_{INT}	WTR Timeout Interval (WDT_CLK = 10 KHz) T_{TIS}	WTR Reset Interval (WDT_CLK = 10 KHz) T_{WTR}
000	$2^4 * T_{WDT}$	$1024 * T_{WDT}$	1.6 ms	104 ms
001	$2^6 * T_{WDT}$	$1024 * T_{WDT}$	6.4 ms	108.8 ms
010	$2^8 * T_{WDT}$	$1024 * T_{WDT}$	25.6 ms	128 ms
011	$2^{10} * T_{WDT}$	$1024 * T_{WDT}$	102.4 ms	204.8 ms
100	$2^{12} * T_{WDT}$	$1024 * T_{WDT}$	407 ms	512 ms
101	$2^{14} * T_{WDT}$	$1024 * T_{WDT}$	1.638 s	1.741 s
110	$2^{16} * T_{WDT}$	$1024 * T_{WDT}$	6.553 s	6.6.656 s
111	$2^{18} * T_{WDT}$	$1024 * T_{WDT}$	26.214 s	26.316 s

Table 5.14-1 Watchdog Time-out Interval Selection

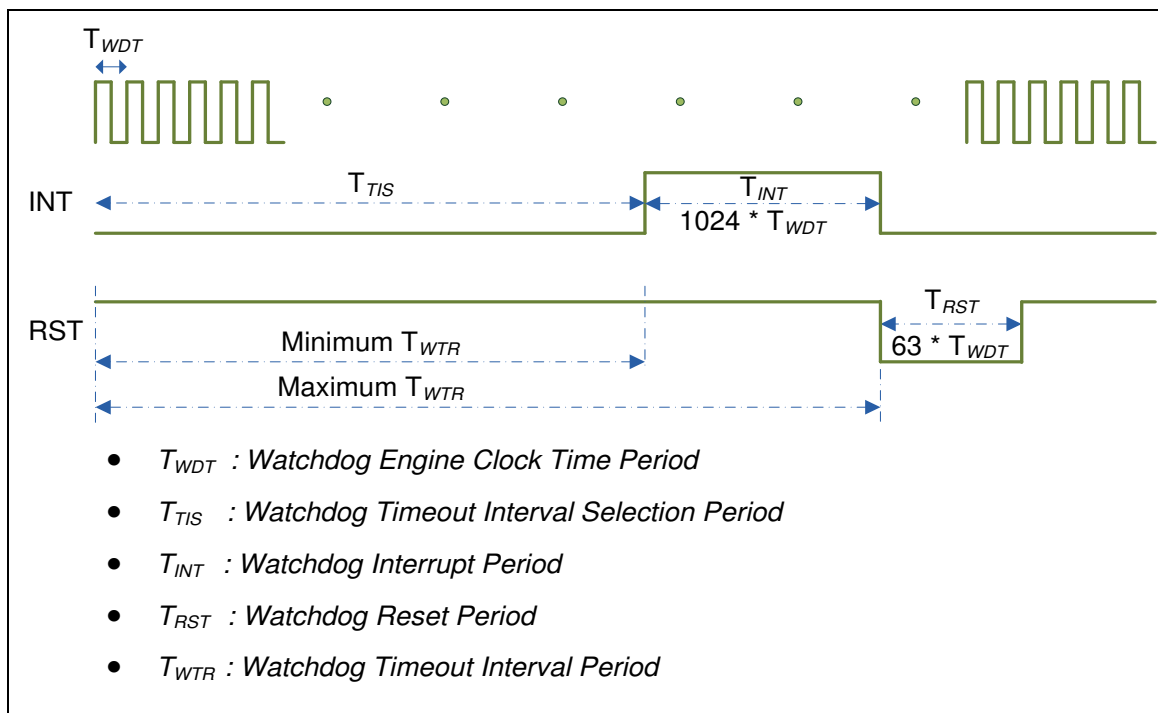


Figure 5.14-1 Timing of Interrupt and Reset Signal

5.14.2 Features

- 18-bit free running counter to avoid CPU from Watchdog Timer Reset before the delay time expires.
- Selectable time-out interval (24 ~ 218) and the time-out interval is 104 ms ~ 26.3168 s (if WDT_CLK = 10 KHz).
- Reset period = (1 / 10 KHz) * 63, if WDT_CLK = 10 KHz.

6 ARM® CORTEX™-M0 CORE

6.1 Overview

The Cortex™-M0 processor is a configurable, multistage, 32-bit RISC processor which has an AMBA AHB-Lite interface and includes an NVIC component. It also has optional hardware debug functionality. The processor can execute Thumb code and is compatible with other Cortex-M profile processors. The profile supports two modes - Thread mode and Handler mode. Handler mode is entered as a result of an exception. An exception return can only be issued in Handler mode. Thread mode is entered on Reset and can be entered as a result of an exception return. 錯誤! 找不到參照來源。 shows the functional controller of the processor.

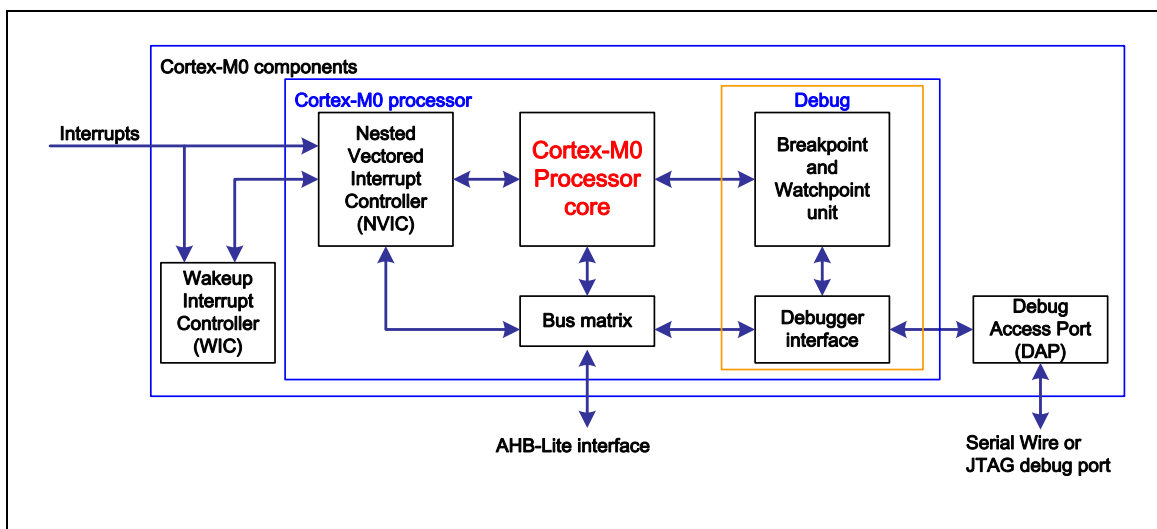


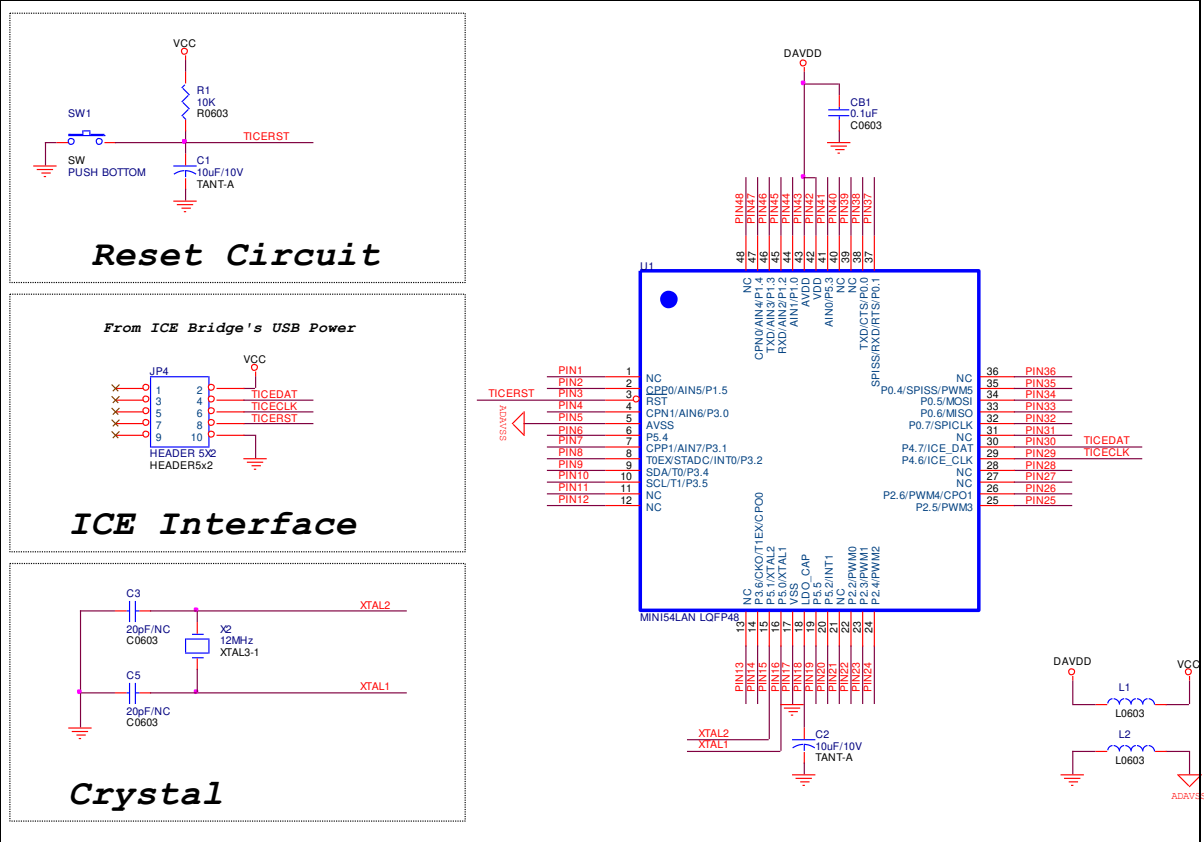
Figure 6.1-1 Functional Block Diagram

6.2 Features

- A low gate count processor
 - ◆ ARMv6-M Thumb® instruction set
 - ◆ Thumb-2 technology
 - ◆ ARMv6-M compliant 24-bit SysTick timer
 - ◆ A 32-bit hardware multiplier
 - ◆ Supports little-endian data accesses
 - ◆ Deterministic, fixed-latency, interrupt handling
 - ◆ Load/store-multiples and multicycle-multiplies that can be abandoned and restarted to facilitate rapid interrupt handling
 - ◆ C Application Binary Interface compliant exception model:
 - ARMv6-M, C Application Binary Interface (C-ABI) compliant exception model that enables the use of pure C functions as interrupt handlers
 - ◆ Low power Idle mode entry using Wait For Interrupt (WFI), Wait For Event (WFE) instructions, or the return from interrupt sleep-on-exit feature
- NVIC
 - ◆ 32 external interrupt inputs, each with four levels of priority
 - ◆ Dedicated Non-Maskable Interrupt (NMI) input
 - ◆ Supports both level-sensitive and pulse-sensitive interrupt lines
 - ◆ Wake-up Interrupt Controller (WIC) with ultra-low power Idle mode support
- Debug support
 - ◆ Four hardware breakpoints
 - ◆ Two watchpoints
 - ◆ Program Counter Sampling Register (PCSR) for non-intrusive code profiling
 - ◆ Single step and vector catch capabilities
- Bus interfaces
 - ◆ Single 32-bit AMBA-3 AHB-Lite system interface that provides simple integration to all system peripherals and memory
 - ◆ Single 32-bit slave port that supports the Debug Access Port DAP (DAP)

7 APPLICATION CIRCUIT

NUMICRO™ MINI51 SERIES DATASHEET





8 ELECTRICAL CHARACTERISTICS

8.1 Absolute Maximum Ratings

SYMBOL	PARAMETER	Min	MAX	UNIT
DC power supply	$V_{DD}-V_{SS}$	-0.3	+7.0	V
Input voltage	V_{IN}	$V_{SS}-0.3$	$V_{DD}+0.3$	V
Oscillator frequency	$1/t_{CLCL}$	4	24	MHz
Operating temperature	T_A	-40	+85	°C
Storage temperature	T_{ST}	-55	+150	°C
Maximum current into VDD		-	120	mA
Maximum current out of VSS			120	mA
Maximum current sunk by a I/O pin			35	mA
Maximum current sourced by a I/O pin			35	mA
Maximum current sunk by total I/O pins			100	mA
Maximum current sourced by total I/O pins			100	mA

Note: Exposure to conditions beyond those listed under absolute maximum ratings may adversely affects the lift and reliability of the device.



8.2 DC Electrical Characteristics

(VDD-VSS = 5.0 V, TA = 25°C, FOSC = 24 MHz unless otherwise specified.)

PARAMETER	Sym.	Specification				TEST CONDITIONS
		Min.	TYP.	Max.	Unit	
Operation voltage	V _{DD}	2.5		5.5	V	V _{DD} = 2.5 V ~ 5.5 V up to 24 MHz
V _{DD} rise rate to ensure internal operation correctly	V _{RISE}	0.05			V/mS	
Power ground	V _{SS} AV _{SS}	-0.3			V	
LDO output voltage	V _{LDO}	-10%	1.8	+10%	V	V _{DD} = 2.5V ~ 5.5V
Analog operating voltage	AV _{DD}	0		V _{DD}	V	
Operating current Normal run mode at 24 MHz	I _{DD1}		9.5		mA	V _{DD} = 5.5V at 24 MHz, all IP Enabled
	I _{DD2}		7.5		mA	V _{DD} = 5.5V at 24 MHz, all IP Disabled
	I _{DD3}		7.5		mA	V _{DD} = 3.3V at 24 MHz, all IP Enabled
	I _{DD4}		6		mA	V _{DD} = 3.3V at 24 MHz, all IP Disabled
Operating current Normal run mode at 12 MHz	I _{DD5}		5.5		mA	V _{DD} = 5.5V at 12 MHz, all IP Enabled
	I _{DD6}		4.5		mA	V _{DD} = 5.5V at 12 MHz, all IP Disabled
	I _{DD7}		4		mA	V _{DD} = 3.3V at 12 MHz, all IP Enabled
	I _{DD8}		3		mA	V _{DD} = 3.3V at 12 MHz, all IP Disabled
Operating current Normal run mode at 4 MHz	I _{DD9}		3.6		mA	V _{DD} = 5.5V at 4 MHz, all IP Enabled
	I _{DD10}		3.3		mA	V _{DD} = 5.5V at 4 MHz, all IP Disabled
	I _{DD11}		1.7		mA	V _{DD} = 3.3V at 4 MHz, all IP Enabled
	I _{DD12}		1.4		mA	V _{DD} = 3.3V at 4 MHz, all IP Disabled
Operating current Normal run mode at 22.1184 MHz IRC	I _{DD13}		6.6		mA	V _{DD} = 5.5V at 22.1184 MHz, all IP Enabled
	I _{DD14}		5		mA	V _{DD} = 5.5V at 22.1184 MHz, all IP Disabled
	I _{DD15}		6.6		mA	V _{DD} = 3.3V at 22.1184 MHz, all IP Enabled
	I _{DD16}		5		mA	V _{DD} = 3.3V at 22.1184 MHz, all IP Disabled



PARAMETER	Sym.	Specification				TEST CONDITIONS
		Min.	TYP.	Max.	Unit	
Operating current Normal run mode at 32.768 KHz crystal oscillator	I _{DD17}		116		μA	V _{DD} = 5.5V at 32.768 KHz, all IP Enabled
	I _{DD18}		113		μA	V _{DD} = 5.5V at 32.768 KHz, all IP Disabled
	I _{DD19}		112		μA	V _{DD} = 3.3V at 32.768 KHz, all IP Enabled
	I _{DD20}		100		μA	V _{DD} = 3.3V at 32.768 KHz, all IP Disabled
Operating current Normal run mode at 10 KHz IRC	I _{DD21}		109		μA	V _{DD} = 5.5V at 10 KHz, all IP Enabled
	I _{DD22}		108		μA	V _{DD} = 5.5V at 10 KHz, all IP Disabled
	I _{DD23}		100		μA	V _{DD} = 3.3V at 10 KHz, all IP Enabled
	I _{DD24}		98		μA	V _{DD} = 3.3V at 10 KHz, all IP Disabled
Operating current Idle mode at 24 MHz	I _{IDLE1}		5.5		mA	V _{DD} = 5.5V at 24 MHz, all IP Enabled
	I _{IDLE2}		3.5		mA	V _{DD} = 5.5V at 24 MHz, all IP Disabled
	I _{IDLE3}		3.8		mA	V _{DD} = 3.3V at 24 MHz, all IP Enabled
	I _{IDLE4}		1.8		mA	V _{DD} = 3.3V at 24 MHz, all IP Disabled
Operating current Idle mode at 12 MHz	I _{IDLE5}		3.3		mA	V _{DD} = 5.5V at 12 MHz, all IP Enabled
	I _{IDLE6}		2.6		mA	V _{DD} = 5.5V at 12 MHz, all IP Disabled
	I _{IDLE7}		2		mA	V _{DD} = 3.3V at 12 MHz, all IP Enabled
	I _{IDLE8}		1		mA	V _{DD} = 3.3V at 12 MHz, all IP Disabled
Operating current Idle mode at 4 MHz	I _{IDLE9}		3		mA	V _{DD} = 5.5V at 4 MHz, all IP Enabled
	I _{IDLE10}		2.3		mA	V _{DD} = 5.5V at 4 MHz, all IP Disabled
	I _{IDLE11}		1		mA	V _{DD} = 3.3V at 4 MHz, all IP Enabled
	I _{IDLE12}		0.7		mA	V _{DD} = 3.3V at 4 MHz, all IP Disabled
Operating current Idle mode at 22.1184 MHz IRC	I _{IDLE13}		3.0		mA	V _{DD} = 5.5V at 22.1184 MHz, all IP Enabled
	I _{IDLE14}		1.2		mA	V _{DD} = 5.5V at 22.1184 MHz, all IP Disabled
	I _{IDLE15}		3.0		mA	V _{DD} = 3.3V at 22.1184 MHz, all IP Enabled

NUMICRO™ MINI51 SERIES DATASHEET



PARAMETER	Sym.	Specification				TEST CONDITIONS
		Min.	TYP.	Max.	Unit	
	I _{IDLE16}		1.2		mA	V _{DD} = 3.3V at 22.1184 MHz, all IP Disabled
Operating current Idle mode at 32.768 KHz crystal oscillator	I _{IDLE17}		110		μA	V _{DD} = 5.5V at 32.768 KHz, all IP Enabled
	I _{IDLE18}		107		μA	V _{DD} = 5.5V at 32.768 KHz, all IP Disabled
	I _{IDLE19}		105		μA	V _{DD} = 3.3V at 32.768 KHz, all IP Enabled
	I _{IDLE20}		102		μA	V _{DD} = 3.3V at 32.768 KHz, all IP Disabled
Operating current Idle mode at 10 KHz IRC	I _{IDLE21}		103		μA	V _{DD} = 5.5V at 10 KHz, all IP Enabled
	I _{IDLE22}		102		μA	V _{DD} = 5.5V at 10 KHz, all IP Disabled
	I _{IDLE23}		96		μA	V _{DD} = 3.3V at 10 KHz, all IP Enabled
	I _{IDLE24}		95		μA	V _{DD} = 3.3V at 10 KHz, all IP Disabled
Standby current Power-down mode	I _{PWD1}		10		μA	V _{DD} = 5.0V, CPU STOP All IP and Clock OFF
	I _{PWD2}		5		μA	V _{DD} = 3.3V, CPU STOP All IP and Clock OFF
Standby current Power-down mode with 32.768 KHz crystal enabled	I _{PWD3}		12		μA	V _{DD} = 5.0V, CPU STOP All IP and Clock OFF except 32.768KHz crystal oscillator
	I _{PWD4}		7		μA	V _{DD} = 3.3V, CPU STOP All IP and Clock OFF except 32.768KHz crystal oscillator
Input current P0~P5 (Quasi-bidirectional mode)	I _{IN1}		-50	-60	μA	V _{DD} = 5.5 V, V _{IN} = 0 V or V _{IN} = V _{DD}
Input current at /RESET ^[1]	I _{IN2}	-55	-45	-30	μA	V _{DD} = 3.3 V, V _{IN} = 0.45 V
Input leakage current PA, PB, PC, PD, PE	I _{LK}	-0.1	-	+0.1	μA	V _{DD} = 5.5 V, 0 < V _{IN} < V _{DD}
Logic 1 to 0 transition current PA~PE (Quasi-bidirectional mode)	I _{TL} ^[3]	-650	-	-200	μA	V _{DD} = 5.5 V, V _{IN} < 2.0 V
Input low voltage	V _{IL1}	-0.3	-	0.8	V	V _{DD} = 4.5 V



PARAMETER	Sym.	Specification				TEST CONDITIONS
		Min.	TYP.	Max.	Unit	
P0~P5 (TTL input)		-0.3	-	0.6		V _{DD} = 2.5 V
Input high voltage P0~P5 (TTL input)	V _{IH1}	2.0	-	V _{DD} +0.2	V	V _{DD} = 5.5V
		1.5	-	V _{DD} +0.2		V _{DD} = 3.0V
Input low voltage P0~P5, (Schmitt input)	V _{IL2}		0.4 V _{DD}		V	
Input high voltage P0~P5, (Schmitt input)	V _{IH2}		0.6 V _{DD}		V	
Hysteresis voltage of P0~P5 (Schmitt input)	V _{HY}		0.2 V _{DD}		V	
Input low voltage XTAL1 ^[*2]	V _{IL3}	0	-	0.8	V	V _{DD} = 4.5V
		0	-	0.4		V _{DD} = 3.0V
Input high voltage XTAL1 ^[*2]	V _{IH3}	3.5	-	V _{DD} +0.2	V	V _{DD} = 5.5V
		2.4	-	V _{DD} +0.2		V _{DD} = 3.0V
Internal /RESET pin pull-up resistor	R _{RST}	40	-	100	KΩ	
Negative going threshold (Schmitt input), /RESET	V _{ILS}	-0.5	-	0.3 V _{DD}	V	
Positive going threshold (Schmitt input), /RESET	V _{IHS}	0.6 V _{DD}	-	V _{DD} +0.5	V	
Source current P0~P5. (Quasi-bidirectional mode)	I _{SR11}	-300	-370	-450	μA	V _{DD} = 4.5V, V _S = 2.4V
	I _{SR12}	-50	-70	-90	μA	V _{DD} = 2.7V, V _S = 2.2V
	I _{SR12}	-40	-60	-80	μA	V _{DD} = 2.5V, V _S = 2.0V
Source current P0~P5, (Push-pull mode)	I _{SR21}	-20	-24	-28	mA	V _{DD} = 4.5V, V _S = 2.4V
	I _{SR22}	-4	-6	-8	mA	V _{DD} = 2.7V, V _S = 2.2V
	I _{SR22}	-3	-5	-7	mA	V _{DD} = 2.5V, V _S = 2.0V
Sink current P0~P5, (Quasi-bidirectional and Push-pull mode)	I _{SK1}	10	16	20	mA	V _{DD} = 4.5V, V _S = 0.45V
	I _{SK1}	7	10	13	mA	V _{DD} = 2.7V, V _S = 0.45V
	I _{SK1}	6	9	12	mA	V _{DD} = 2.5V, V _S = 0.45V

Notes:

1. /RESET pin is a Schmitt trigger input.



2. Crystal Input is a CMOS input.
3. Pins of P0~P5 can source a transition current when they are being externally driven from 1 to 0. In the condition of $V_{DD}=5.5V$, the transition current reaches its maximum value when V_{IN} approximates to 2V.

8.3 AC Electrical Characteristics

8.3.1 External Input Clock

PARAMETER	Sym.	Specification				TEST CONDITIONS
		Min.	TYP.	Max.	Unit	
Clock high time	t_{CHCX}	20			nS	
Clock low time	t_{CLCX}	20			nS	
Clock rise time	t_{CLCH}			10	nS	
Clock fall time	t_{CHCL}			10	nS	

The diagram shows a square wave signal. The following parameters are defined:

- t_{CHCL} : Clock fall time (from high to low)
- t_{CLCH} : Clock rise time (from low to high)
- t_{CLCX} : Clock low time (duration of low level)
- t_{CHCX} : Clock high time (duration of high level)
- t_{CLCL} : Total clock period (duration of one full cycle)

Note: Duty cycle is 50%.

8.3.2 External 4 ~ 24 MHz XTAL Oscillator

PARAMETER	Sym.	Specification				TEST CONDITIONS
		Min.	TYP.	Max.	Unit	
Oscillator frequency	f_{HXTAL}	4	12	24	MHz	$V_{DD} = 2.5V \sim 5.5V$
Temperature	T_{HXTAL}	-40		+85	°C	
Operating current	I_{HXTAL}		TBD		mA	$V_{DD} = 5.0V$

8.3.3 Typical Crystal Application Circuit

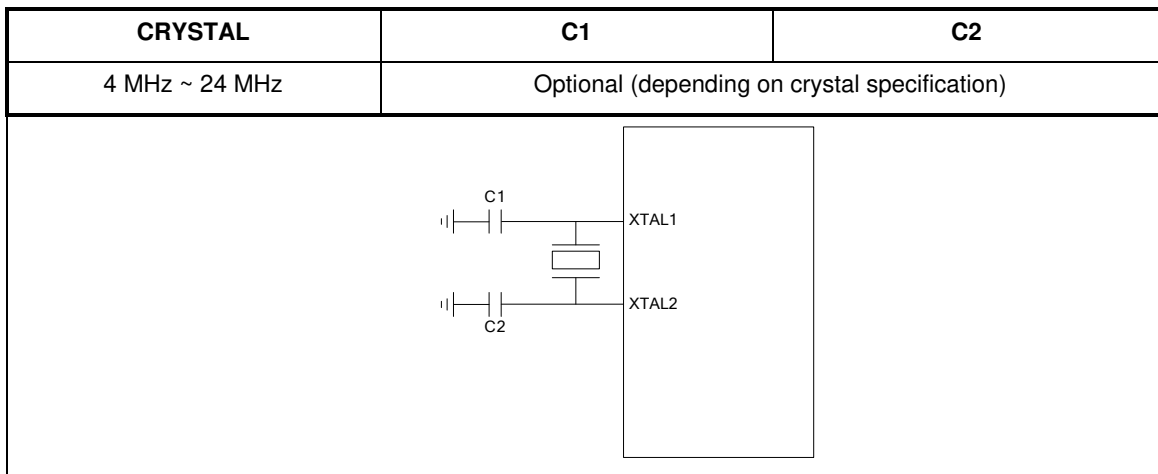


Figure 8.3-1 Typical Crystal Application Circuit

8.3.4 External 32.768 KHz XTAL Oscillator

PARAMETER	Sym.	Specification				TEST CONDITIONS
		Min.	TYP.	Max.	Unit	
Oscillator frequency	f _{LXTAL}		32.768		KHz	V _{DD} = 2.5V ~ 5.5V
Temperature	T _{LXTAL}	-40		+85	°C	
Operating current	I _{HXTAL}		TBD		μA	V _{DD} = 5.0V

8.3.5 Internal 22.1184 MHz RC Oscillator

PARAMETER	Sym.	Specification				TEST CONDITIONS
		Min.	TYP.	Max.	Unit	
Supply voltage ^[1]	V _{HRC}		1.8		V	
Center frequency	F _{HRC}	21.89	22.1184	22.34	MHz	25°C, V _{DD} = 5V
		20.57	22.1184	23.23	MHz	-40°C~+85°C, V _{DD} = 2.5V~5.5V
		21.78	22.0	22.22	MHz	-40°C~+85°C, V _{DD} = 2.5V~5.5V 32.768K crystal oscillator Enabled and TRIM_SEL = 1
Operating current	I _{HRC}		TBD		mA	

Note: Internal operation voltage comes from LDO.

8.3.6 Internal 10 KHz RC Oscillator

PARAMETER	Sym.	Specification				TEST CONDITIONS
		Min.	TYP.	Max.	Unit	
Supply voltage ^[1]	V _{LRC}		1.8		V	
Center frequency	F _{LRC}	7	10	13	KHz	25°C, V _{DD} = 5V
		5	10	15	KHz	-40°C = ~+85°C, V _{DD} = 2.5V~5.5V
Operating current	I _{LRC}		TBD		μA	V _{DD} = 5V

Note: Internal operation voltage comes from LDO.



8.4 Analog Characteristics

(V_{DD}-V_{SS} = 5.0V, TA = 25°C, FOSC = 24 MHz unless otherwise specified.)

8.4.1 Brown-Out Reset (BOD)

PARAMETER	Sym.	Specification				TEST CONDITIONS
		Min.	TYP.	Max.	Unit	
Operating voltage	V _{BOD}	2.0		5.5	V	
Operating current	I _{BOD}		5	15	μA	V _{DD} = 5V BOD27 and BOD38 Enabled
BOD38 detection level	V _{B38dt}	3.6	3.8	4.0	V	25°C
BOD27 detection level	V _{B27dt}	2.6	2.7	2.8	V	25°C

8.4.2 Low Voltage Reset (LVR)

PARAMETER	Sym.	Specification				TEST CONDITIONS
		Min.	TYP.	Max.	Unit	
Operating voltage	V _{BOD}	2.0		5.5	V	
Operating current	I _{BOD}		1	2	μA	
Detection level	V _{LVR}		2.0		V	25°C
LVR always enabled		1.6	2.0	2.4	V	-40°C ~ +85°C

8.4.3 Analog Comparator

PARAMETER	Sym.	Specification				TEST CONDITIONS
		Min.	TYP.	Max.	Unit	
Operating voltage	V _{BOD}	2.5	3.3	5.5	V	
Operating current	I _{COMP}		40	80	μA	
Input offset voltage	V _{OFFSET}		10	20	mV	
Output swing voltage	V _{swin}	0.2		V _{DD} -0.2	V	
Input common mode range (V _{CM})	V _{CM}	0.1		V _{DD} -0.1	V	
DC gain	G _{DC}		70		dB	
Propagation delay	T _{PDLY}		200		ns	V _{CM} = 1.2V The difference voltage in CPPx and CPNx is 0.1V
Hysteresis	V _{HYS}		±10		mV	One bit control W/O and W. hysteresis @V _{CM} = 0.2V ~ V _{DD} -0.2V



NUMICRO™ MINI51 SERIES DATASHEET

PARAMETER	Sym.	Specification				TEST CONDITIONS
		Min.	TYP.	Max.	Unit	
Stable time	T _{STBL}			2	μS	CPPx = 1.3V and CPNX = 1.2V

8.4.4 Analog Comparator Reference Voltage (CRV)

PARAMETER	Sym.	Specification				TEST CONDITIONS
		Min.	TYP.	Max.	Unit	
Operating voltage	V _{BOD}	2.5		5.5	V	
CRV step size	V _{STEP}		V _{DD} /24		V	V _{DD} = 5V, BOD27 and BOD38 Enabled
CRV output voltage absolute accuracy	A _{CRV}	-5		+5	%	
Unit resistor value	R _{CRV}		2K		ohm	

8.4.5 10-bit ADC

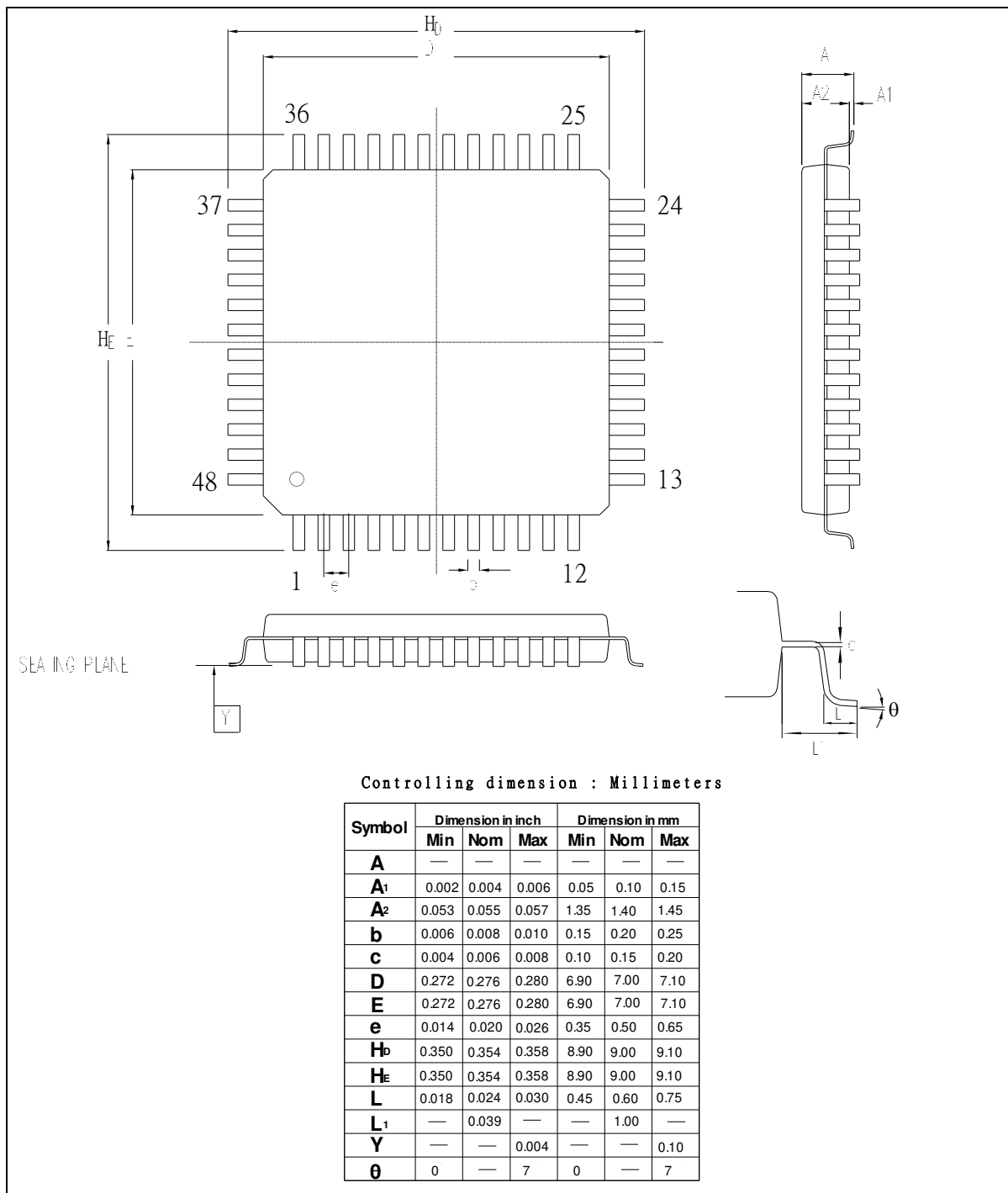
PARAMETER	Sym.	Specification				TEST CONDITIONS
		Min.	TYP.	Max.	Unit	
Operating voltage	A _{VDD}	2.7		5.5	V	A _{VDD} = V _{DD}
Operating current	I _{ADC}			1	mA	A _{VDD} = V _{DD} = 5V, F _{SPS} = 150K
Resolution	R _{ADC}			10	bit	
Reference voltage	V _{REF}		A _{VDD}		V	V _{REF} connected to A _{VDD} in chip
ADC input voltage	V _{IN}	0		V _{REF}	V	
Conversion time	T _{CONV}	6.7			μS	
Sampling rate	F _{SPS}	150K			Hz	V _{DD} = 5V, ADC clock = 6MHz Free running conversion
Integral non-linearity error (INL)	INL			±1	LSB	
Differential non-linearity (DNL)	DNL			±1	LSB	
Gain error	E _G			±2	LSB	
Offset error	E _{OFFSET}			3	LSB	
Absolute error	E _{ABS}			4	LSB	
ADC clock frequency	F _{ADC}	5K		6M	Hz	V _{DD} = 5V
Clock cycle	AD _{CYC}	38			Cycle	
Bang-gap voltage	V _{BG}	1.27	1.35	1.44	V	-40°C ~ +85°C

8.4.6 Flash Memory Characteristics

PARAMETER	Sym.	Specification				TEST CONDITIONS
		Min.	TYP.	Max.	Unit	
Cycling (erase/write) Program memory	N _{CYC}	100			K cycle	
Data retention	T _{RET}	10			years	T _A = +85°C
Erase time of ISP mode	T _{ERASE}	2.3	2.5	2.7	mS	Erase time for one page
Program time of ISP mode	T _{PROG}	57	62	67	μS	Programming time for one word
Program current	I _{PROG}		3.3		mA	V _{DD} = 5.5V

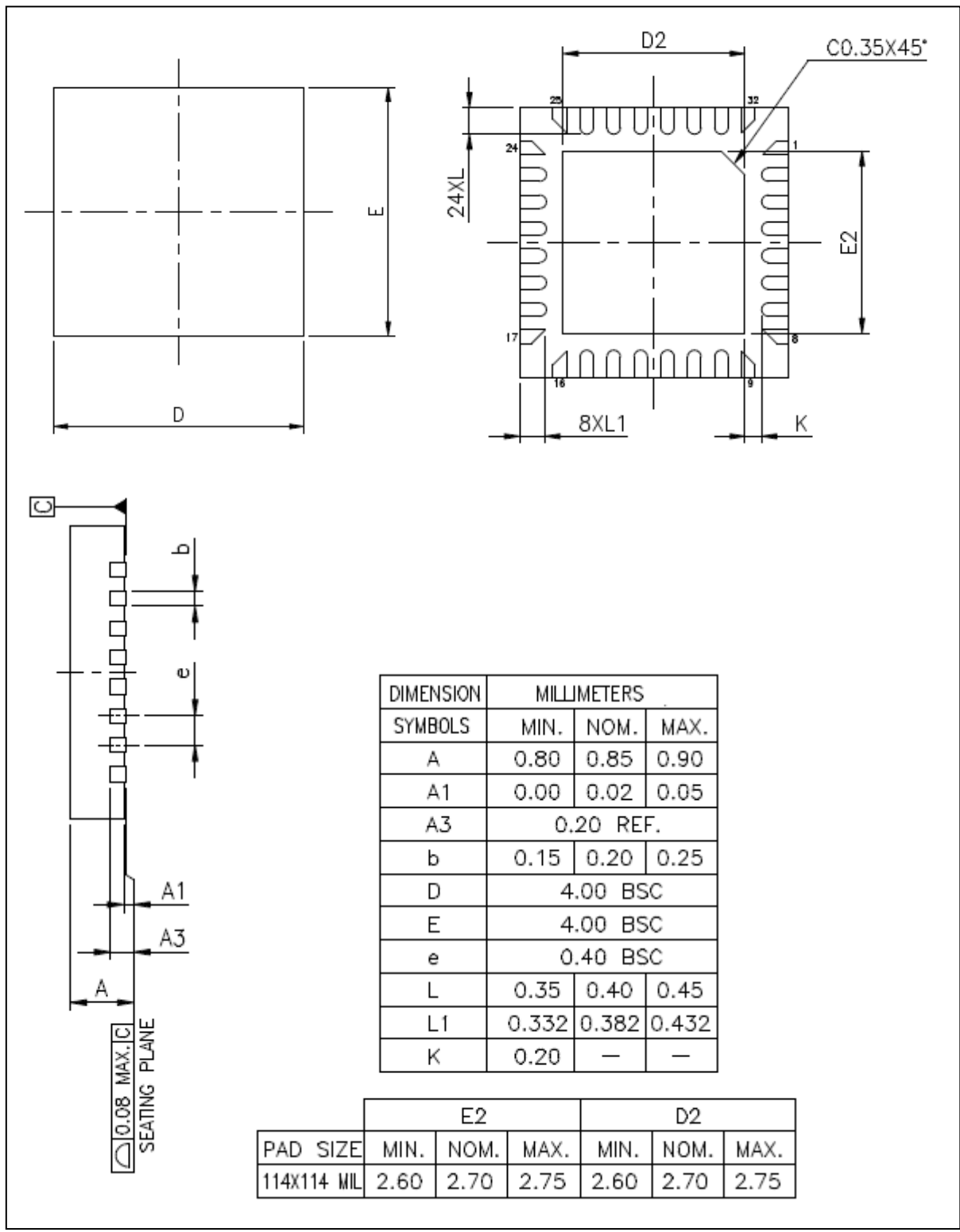
9 PACKAGE DIMENSION

9.1 48-pin LQFP



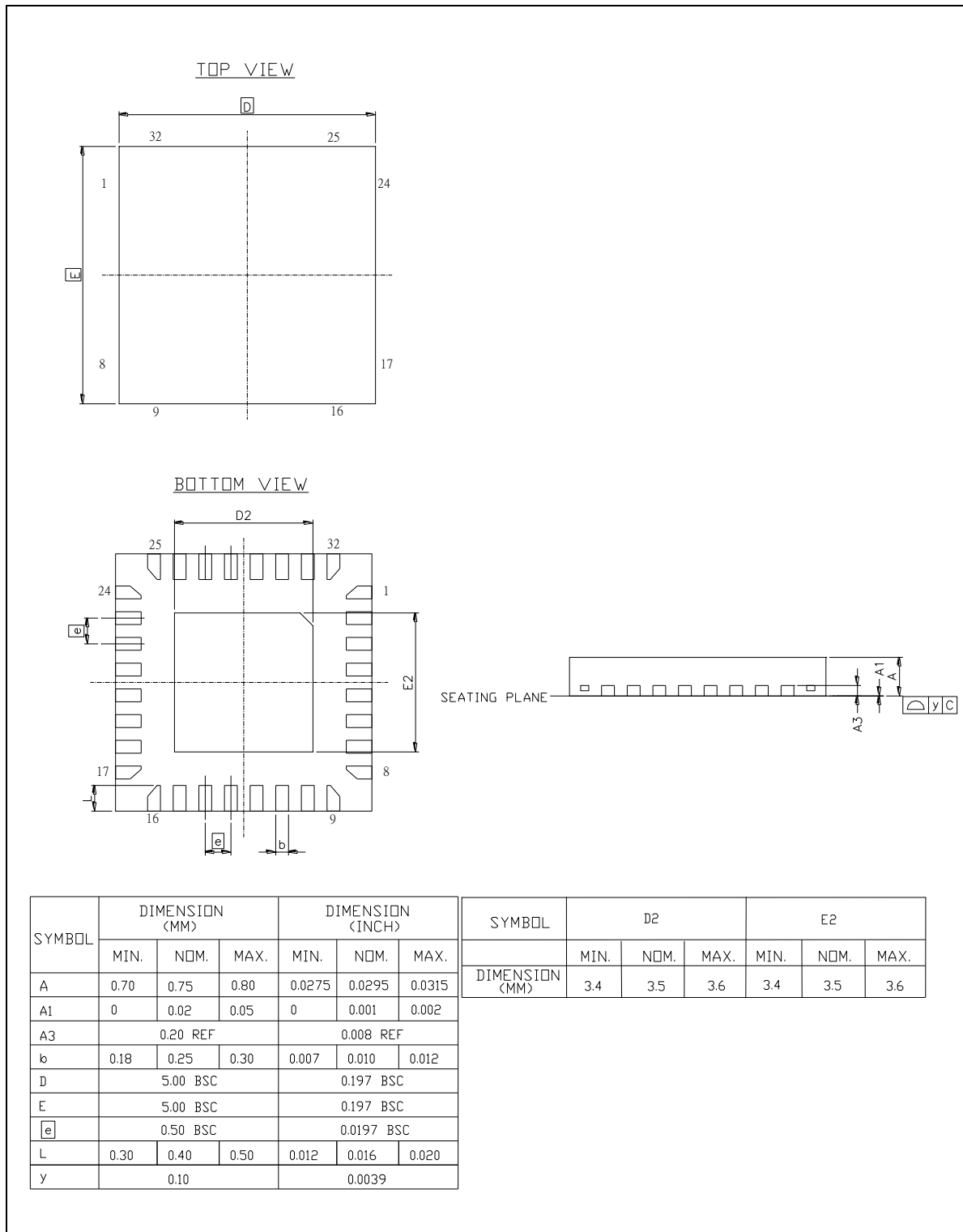


9.2 33-pin QFN (4mm x 4mm)



NUMICRO™ MINI51 SERIES DATASHEET

9.3 33-pin QFN (5mm x 5mm)





10 REVISION HISTORY

Date	Revision	Changes
Sep 6, 2011	1.00	Initial release
Oct 20, 2011	1.01	<ol style="list-style-type: none"> 1. Change electrical characteristics of comparator, 22MHZ RC oscillator, ADC and band-gap. 2. Add electrical characteristics of Flash memory 3. Change maximum SPI frequency as 12MHz 4. Fix some typos.
Dec 1, 2011	1.02	<ol style="list-style-type: none"> 1. Fix electrical characteristics of 22MHZ RC oscillator 2. Modify all "1XX" description in registers and related figures. 3. Modify 33-pin QFN 5mmx5mm package outline specification. 4. Fix some typos.
Feb 9, 2012	1.03	<ol style="list-style-type: none"> 1. Added the VDD rise rate specification. 2. Revised the minimum ADC clock frequency specification. 3. Revised the minimum and maximum specification of band-gap voltage.

Important Notice

Nuvoton Products are neither intended nor warranted for usage in systems or equipment, any malfunction or failure of which may cause loss of human life, bodily injury or severe property damage. Such applications are deemed, “Insecure Usage”.

Insecure usage includes, but is not limited to: equipment for surgical implementation, atomic energy control instruments, airplane or spaceship instruments, the control or operation of dynamic, brake or safety systems designed for vehicular use, traffic signal instruments, all types of safety devices, and other applications intended to support or sustain life.

All Insecure Usage shall be made at customer’s risk, and in the event that third parties lay claims to Nuvoton as a result of customer’s Insecure Usage, customer shall indemnify the damages and liabilities thus incurred by Nuvoton.

*Please note that all data and specifications are subject to change without notice.
All the trademarks of products and companies mentioned in this datasheet belong to their respective owners.*