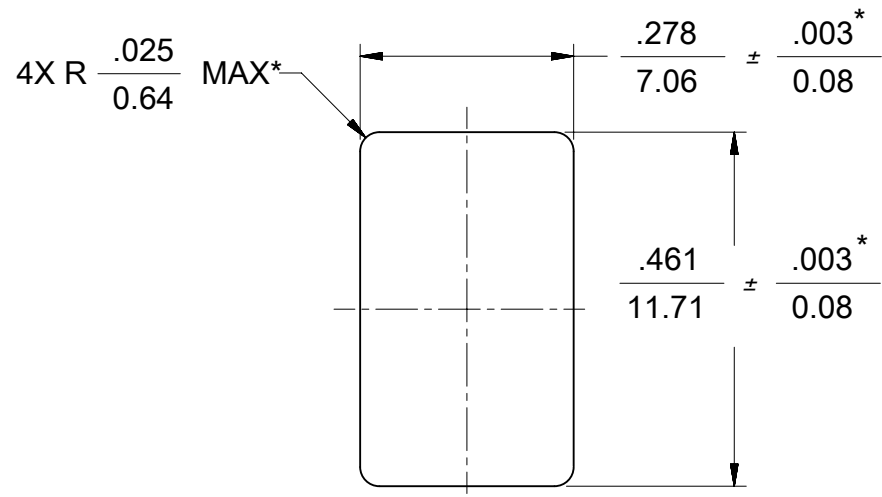
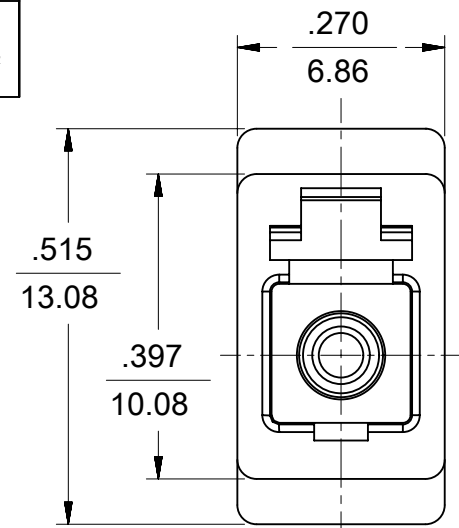
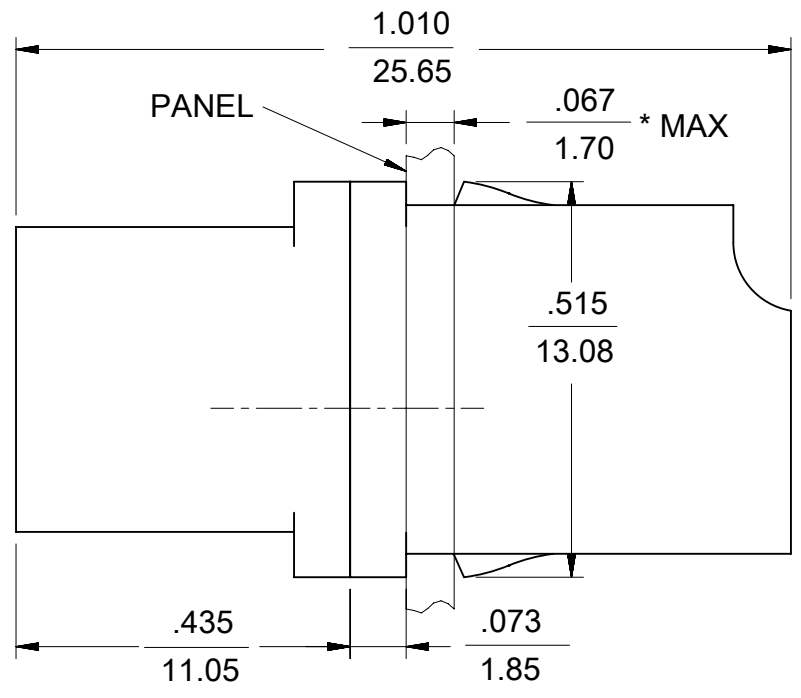
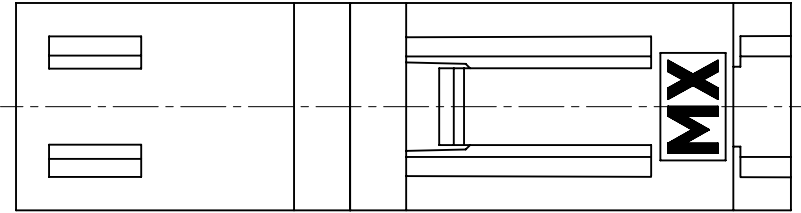


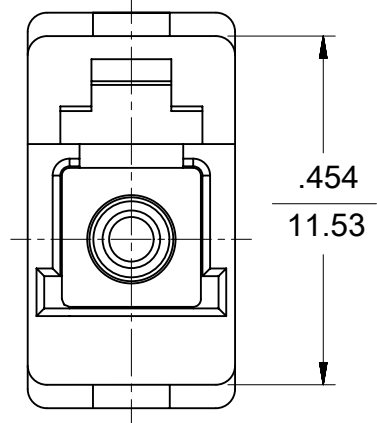
ADAPTER P/N	COLOR	SPLIT SLEEVE MATERIAL
106124-1000	BLUE	ZIRCONIA - ZrO ₂
106124-0010	BEIGE	Ph. Bronze
106124-1050	GREEN	ZIRCONIA - ZrO ₂
106124-0000	BLUE	Ph. Bronze
106124-1010	BEIGE	ZIRCONIA - ZrO ₂



RECOMMENDED PANEL CUTOUT
 PANEL THICKNESS $\frac{.067}{1.70}$ MAX.



(DUST CAPS ARE NOT SHOWN)



NOTES:
 1. ALL DIMENSIONS ARE FOR REFERENCE ONLY, EXCEPT WHEN MARKED WITH (*).

THIS DRAWING CONTAINS INFORMATION THAT IS PROPRIETARY TO MOLEX ELECTRONIC TECHNOLOGIES, LLC AND SHOULD NOT BE USED WITHOUT WRITTEN PERMISSION									
DIMENSION UNITS		SCALE		CURRENT REV DESC:					
IN/MM		4:1		EC NO: 624787 DRWN: VLOKESHA 2019/05/17 CHK'D: GGA 2019/11/11 APPR: GGA 2019/11/11 INITIAL REVISION: DRWN: PGIBLIN 2005/10/03 APPR:					
GENERAL TOLERANCES (UNLESS SPECIFIED)									
	MM	INCH							
4 PLACES	±	±							
3 PLACES	±	±							
2 PLACES	±	±							
1 PLACE	±	±							
0 PLACES	±	±							
ANGULAR TOL ± 0.5°				PRODUCT CUSTOMER DRAWING DOCUMENT NUMBER: SD-106124-0000 DOC TYPE: PSD DOC PART: 001 REVISION: B1					
DRAFT WHERE APPLICABLE MUST REMAIN WITHIN DIMENSIONS		THIRD ANGLE PROJECTION		DRAWING		SERIES		MATERIAL NUMBER	
				B-SIZE		106124		SEE TABLE	
CUSTOMER				GENERAL MARKET					
SHEET NUMBER				1 OF 1					