

Description: 25253+35354 GPS L1&L5
Stack Patch Antenna

PART NUMBER: ANT2535BS0WTL1L5S

Features:

- Size : Stack 25x25x3+35x35x4mm
- High radiation efficiency
- Combining GNSS and L5 bands
- Pin-solder process
- RoHS compliant



Applications:

- GPS system
- Navigation device
- Telematics box
- Fleet management

All dimensions are in mm / inches

In the effort to improve our products, we reserve the right to make changes judged to be necessary.

CONFIDENTIAL AND PROPRIETARY INFORMATION

This document contains confidential and proprietary information of Pulse Electronics, Inc. (Pulse) and is protected by copyright, trade secret and other state and federal laws. Its receipt or possession does not convey any rights to reproduce, disclose its contents, or to manufacture, use or sell anything it may describe. Reproduction, disclosure or use without specific written authorization of Pulse is strictly forbidden.

For more information:



Pulse Worldwide Headquarters
15255 Innovation Drive #100
San Diego, CA 92128
USA
Tel:1-858-674-8100

Pulse/Larsen Antennas
18110 SE 34th St Bldg 2 Suite 250
Vancouver, WA 98683
USA
Tel: 1-360-944-7551

Europe Headquarters
Pulse GmbH & Do, KG
Zeppelinstrasse 15
Herrenberg, Germany
Tel: 49 7032 7806 0

Pulse (Suzhou) Wireless Products Co, Inc.
99 Huo Ju Road(#29 Bldg,4th Phase
Suzhou New District
Jiangsu Province, Suzhou 215009 PR China
Tel: 86 512 6807 9998

Description: 25253+35354 GPS L1&L5
Stack Patch Antenna

PART NUMBER: ANT2535BS0WTL1L5S

ELECTRICAL SPECIFICATIONS

Working Frequency	L5 : 1176 MHz GNSS-Beidou : 1561 MHz GNSS-GPS : 1575 MHz GNSS-Glonass : 1602 MHz
Gain(Peak)	L5: 2.3 dBic GNSS Beidou : 3.7 dBic GNSS GPS : 4.1 dBic GNSS Glonass : 4.5 dBic
Gain(Average)	L5: -1.13 dB GNSS Beidou : -1.82 dB GNSS GPS : -1.59 dB GNSS Glonass : -1.36 dB
Polarization	RHCP
Axis Ratio	L5 \leq 5 dB GNSS \leq 6 dB
Impedance	50 Ω
Operating Temperature	- 40 ~ 85 °C

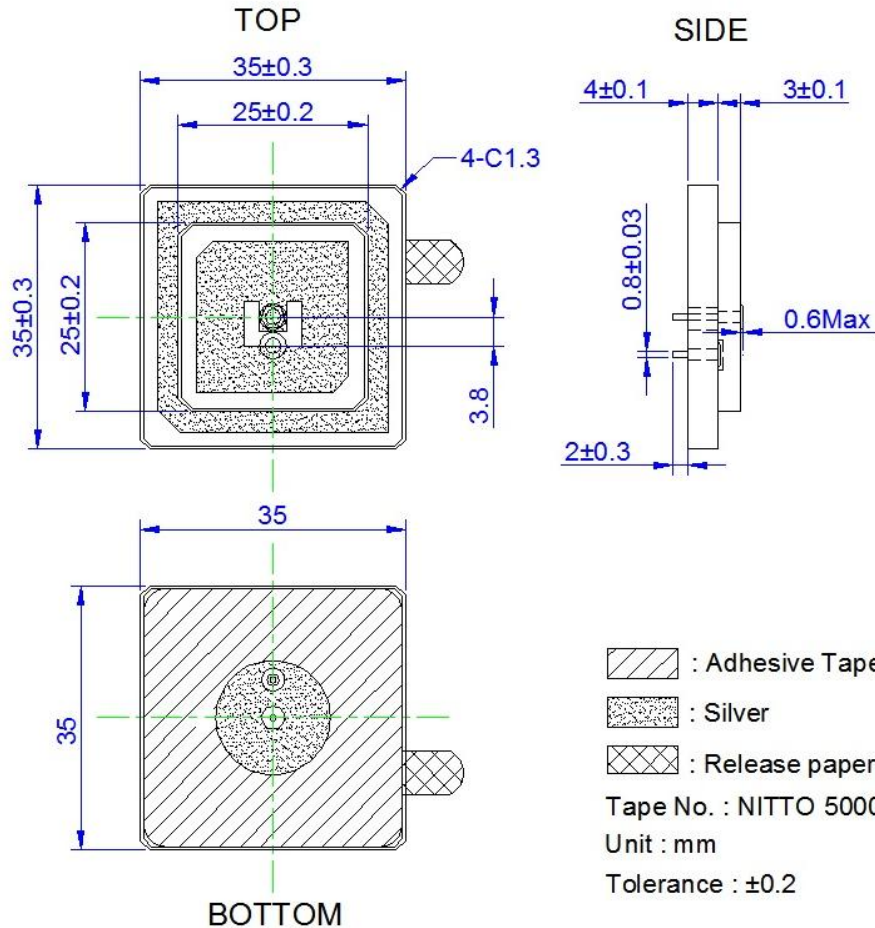
NOTE

1. Based on 70×70 mm² square ground plane.
2. Centre frequency will be offset to working frequency while changes of customer's housing and ground plane.

Description: 25253+35354 GPS L1&L5
Stack Patch Antenna

PART NUMBER: ANT2535BS0WTL1L5S

MECHANICAL DRAWING



Position	Dimension	Working Band	Feed
Upper	25x25x3 mm	GNSS (1561+1575+1602MHz)	Single Feed
Bottom	35x35x4 mm	L5 (1176MHz)	Single Feed

In the effort to improve our products, we reserve the right to make changes judged to be necessary.

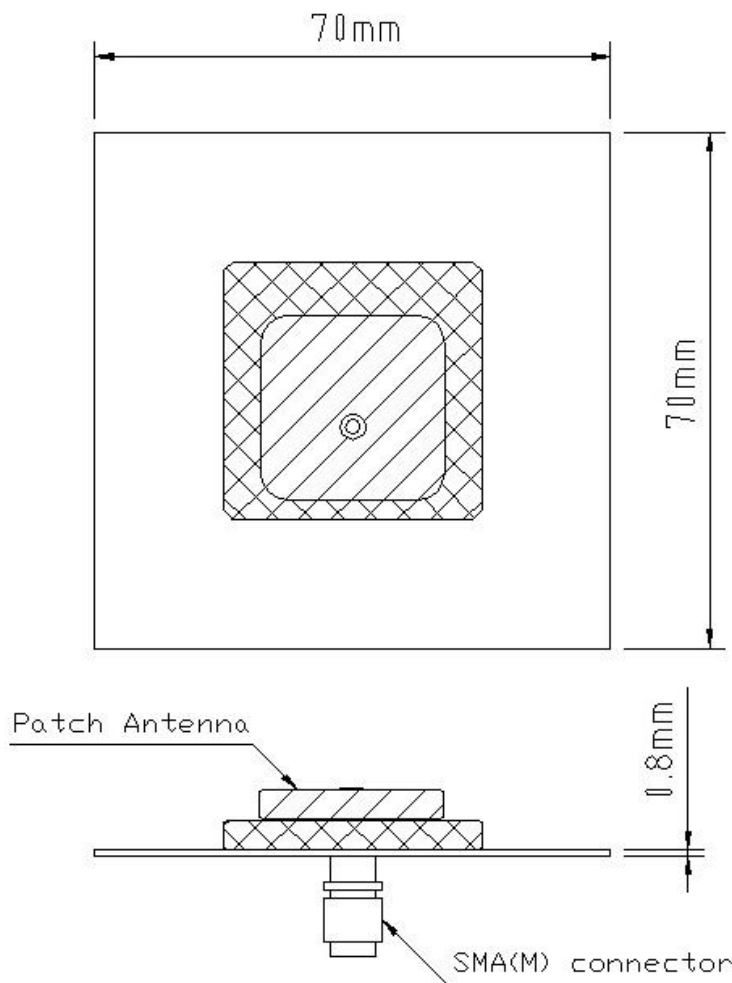
CONFIDENTIAL AND PROPRIETARY INFORMATION

This document contains confidential and proprietary information of Pulse Electronics, Inc. (Pulse) and is protected by copyright, trade secret and other state and federal laws. Its receipt or possession does not convey any rights to reproduce, disclose its contents, or to manufacture, use or sell anything it may describe. Reproduction, disclosure or use without specific written authorization of Pulse is strictly forbidden.

Description: 25253+35354 GPS L1&L5
Stack Patch Antenna

PART NUMBER: ANT2535BS0WTL1L5S

REFERENCE DESIGN OF EVALUATION BOARD



Ground Plane Size: 70x70 mm²

In the effort to improve our products, we reserve the right to make changes judged to be necessary.

CONFIDENTIAL AND PROPRIETARY INFORMATION

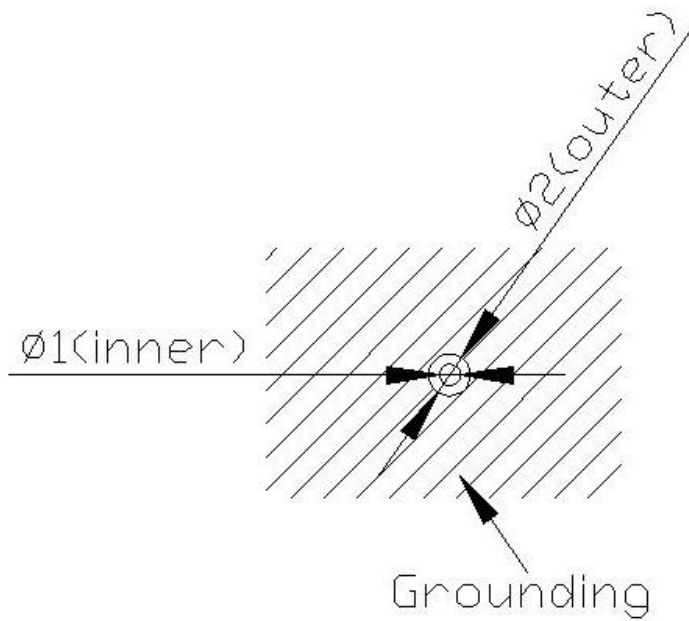
This document contains confidential and proprietary information of Pulse Electronics, Inc. (Pulse) and is protected by copyright, trade secret and other state and federal laws. Its receipt or possession does not convey any rights to reproduce, disclose its contents, or to manufacture, use or sell anything it may describe. Reproduction, disclosure or use without specific written authorization of Pulse is strictly forbidden.

Description: 25253+35354 GPS L1&L5
Stack Patch Antenna

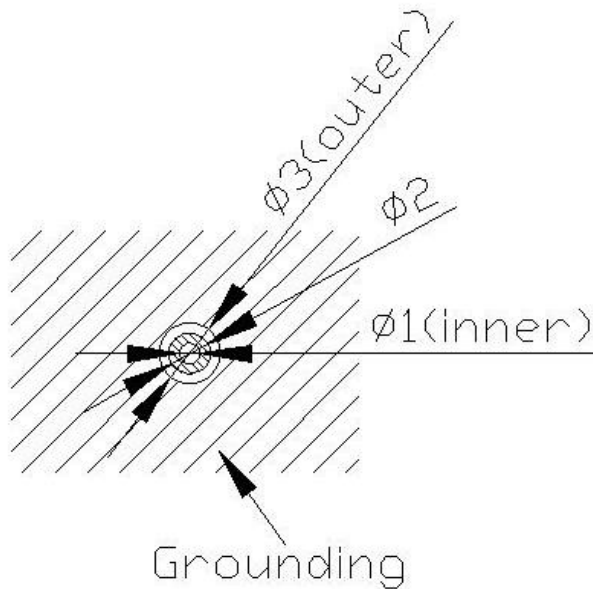
PART NUMBER: ANT2535BS0WTL1L5S

FOOTPRINT

Top Layer



Bottom Layer

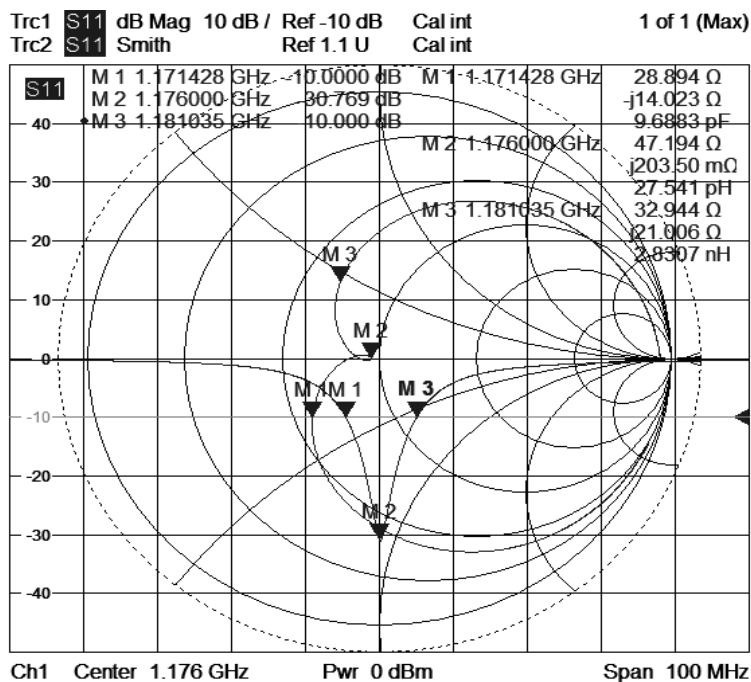


**Description: 25253+35354 GPS L1&L5
Stack Patch Antenna**

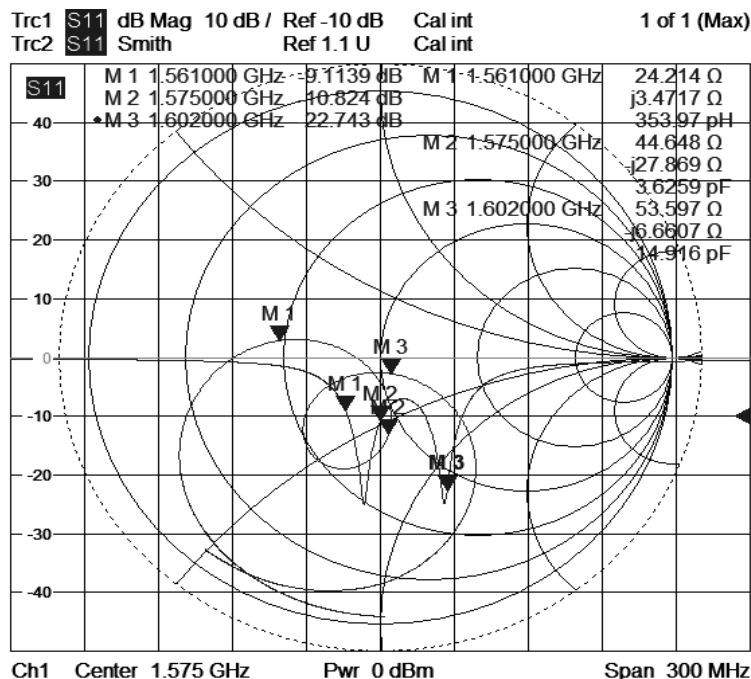
PART NUMBER: ANT2535BS0WTL1L5S

RETURN LOSS

L5



GNSS



In the effort to improve our products, we reserve the right to make changes judged to be necessary.

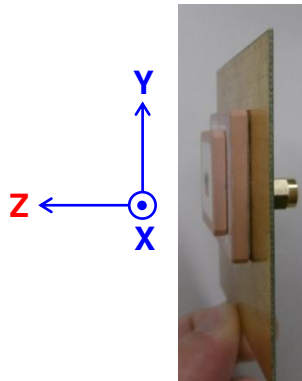
CONFIDENTIAL AND PROPRIETARY INFORMATION

This document contains confidential and proprietary information of Pulse Electronics, Inc. (Pulse) and is protected by copyright, trade secret and other state and federal laws. Its receipt or possession does not convey any rights to reproduce, disclose its contents, or to manufacture, use or sell anything it may describe. Reproduction, disclosure or use without specific written authorization of Pulse is strictly forbidden.

**Description: 25253+35354 GPS L1&L5
Stack Patch Antenna**

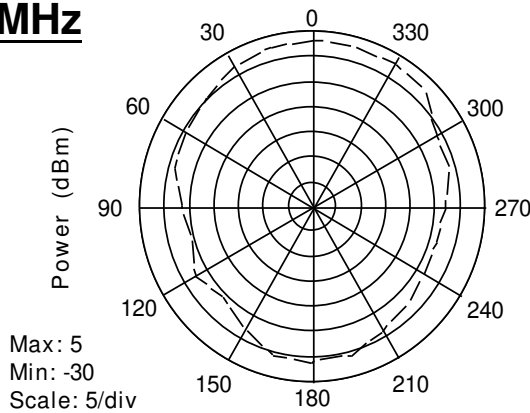
PART NUMBER: ANT2535BS0WTL1L5S

RADIATION PATTERN

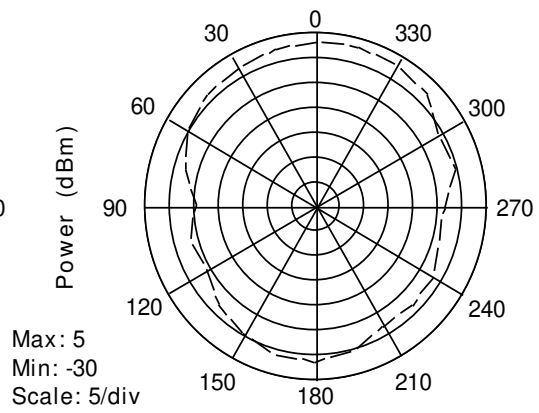


Evaluation board and XYZ direction

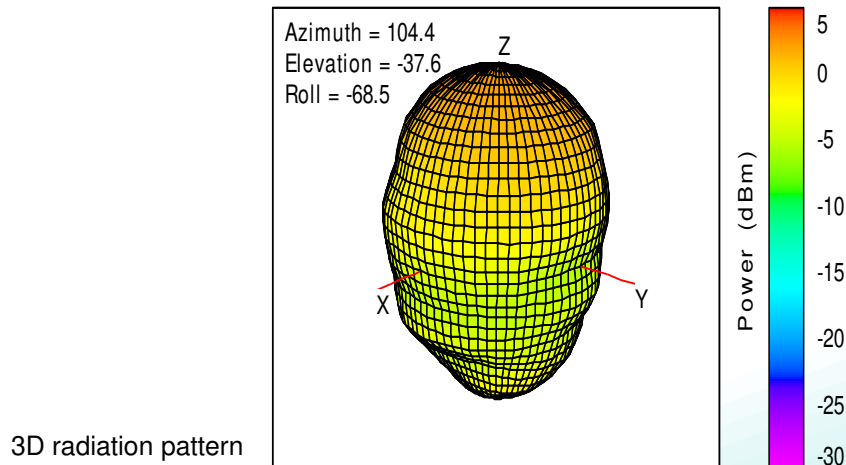
L5-1176MHz



2D x-z plane pattern



2D y-z plane pattern



3D radiation pattern

In the effort to improve our products, we reserve the right to make changes judged to be necessary.

CONFIDENTIAL AND PROPRIETARY INFORMATION

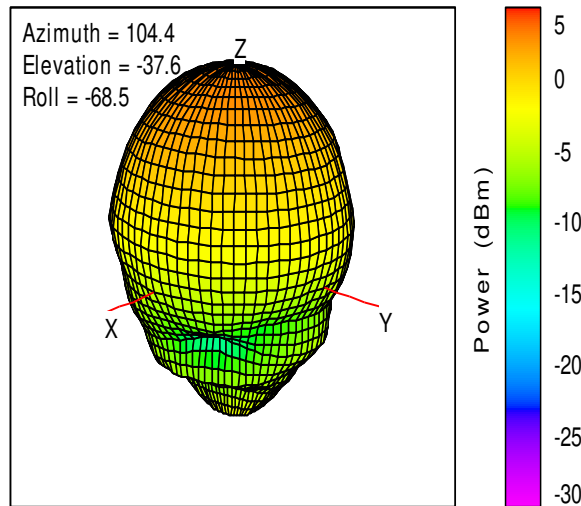
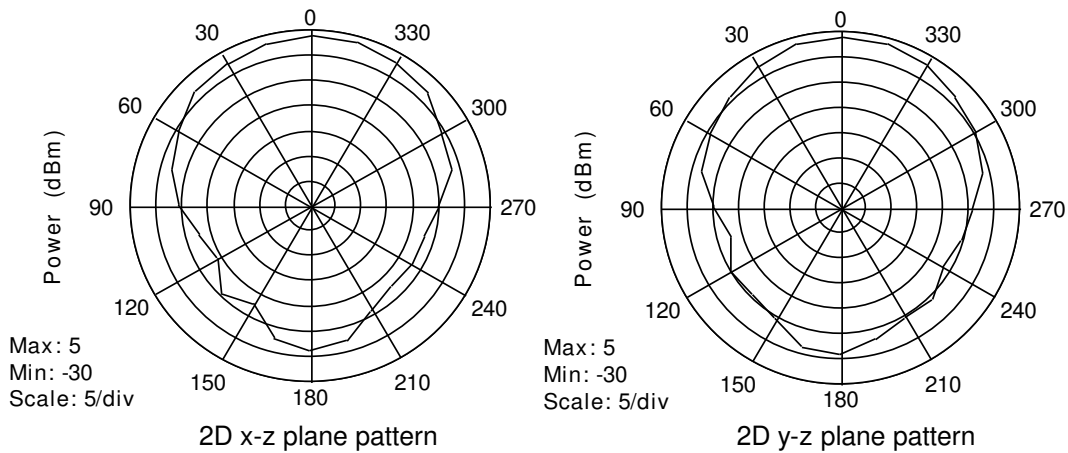
This document contains confidential and proprietary information of Pulse Electronics, Inc. (Pulse) and is protected by copyright, trade secret and other state and federal laws. Its receipt or possession does not convey any rights to reproduce, disclose its contents, or to manufacture, use or sell anything it may describe. Reproduction, disclosure or use without specific written authorization of Pulse is strictly forbidden.

Description: 25253+35354 GPS L1&L5
Stack Patch Antenna

PART NUMBER: ANT2535BS0WTL1L5S

RADIATION PATTERN

GNSS – 1561MHz



3D radiation pattern

In the effort to improve our products, we reserve the right to make changes judged to be necessary.

CONFIDENTIAL AND PROPRIETARY INFORMATION

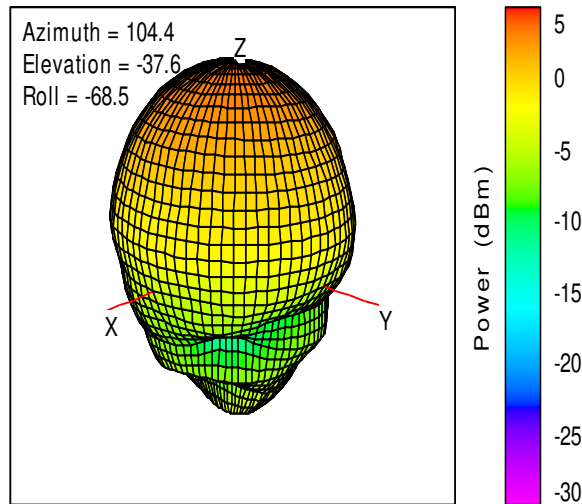
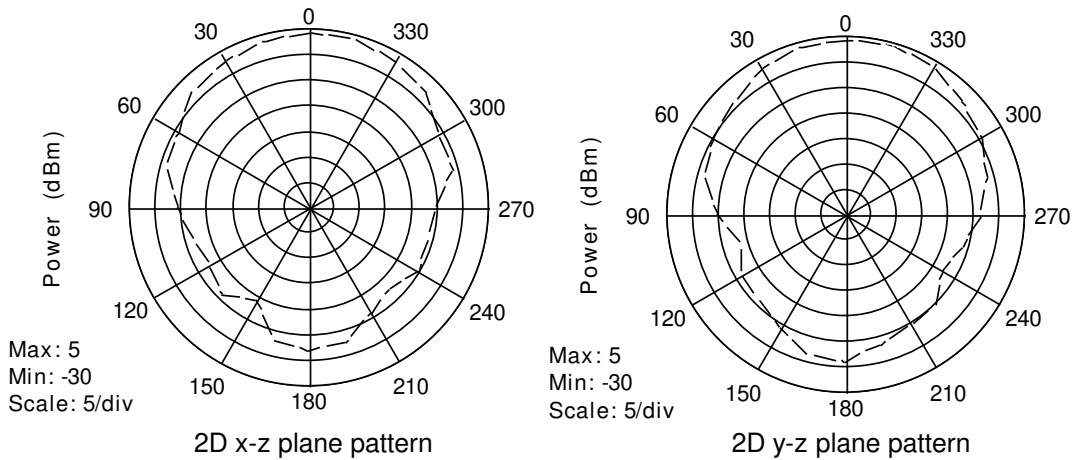
This document contains confidential and proprietary information of Pulse Electronics, Inc. (Pulse) and is protected by copyright, trade secret and other state and federal laws. Its receipt or possession does not convey any rights to reproduce, disclose its contents, or to manufacture, use or sell anything it may describe. Reproduction, disclosure or use without specific written authorization of Pulse is strictly forbidden.

**Description: 25253+35354 GPS L1&L5
Stack Patch Antenna**

PART NUMBER: ANT2535BS0WTL1L5S

RADIATION PATTERN

GNSS – 1575MHz



3D radiation pattern

In the effort to improve our products, we reserve the right to make changes judged to be necessary.

CONFIDENTIAL AND PROPRIETARY INFORMATION

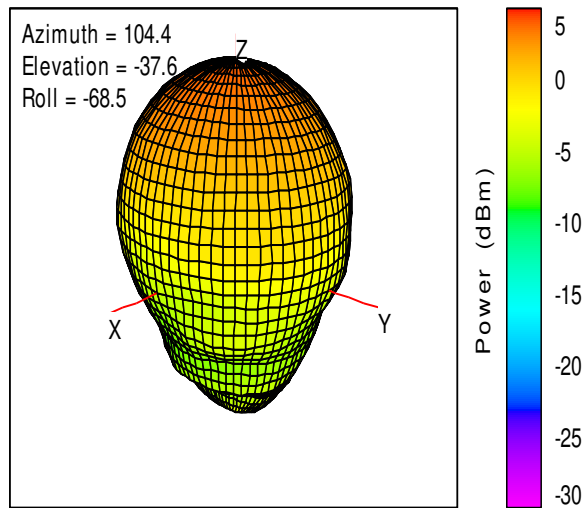
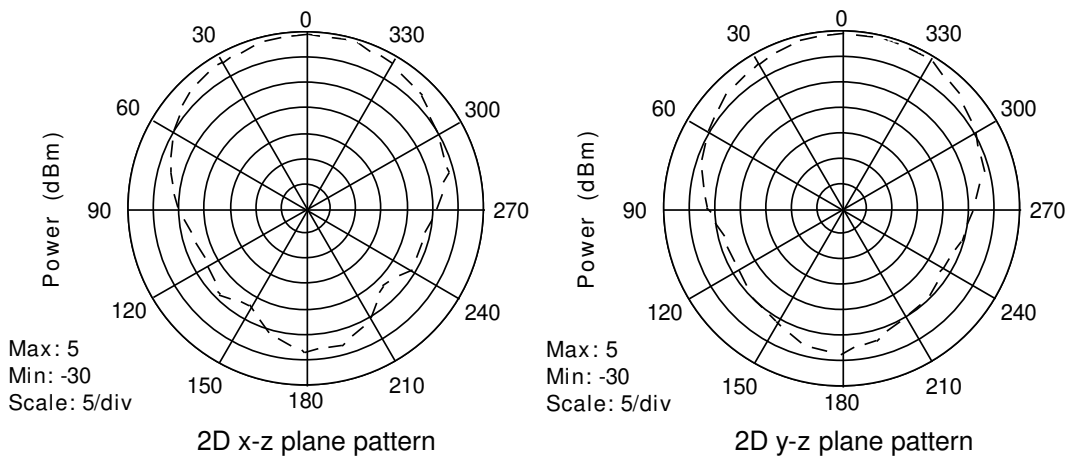
This document contains confidential and proprietary information of Pulse Electronics, Inc. (Pulse) and is protected by copyright, trade secret and other state and federal laws. Its receipt or possession does not convey any rights to reproduce, disclose its contents, or to manufacture, use or sell anything it may describe. Reproduction, disclosure or use without specific written authorization of Pulse is strictly forbidden.

**Description: 25253+35354 GPS L1&L5
Stack Patch Antenna**

PART NUMBER: ANT2535BS0WTL1L5S

RADIATION PATTERN

GNSS – 1602MHz



3D radiation pattern

In the effort to improve our products, we reserve the right to make changes judged to be necessary.

CONFIDENTIAL AND PROPRIETARY INFORMATION

This document contains confidential and proprietary information of Pulse Electronics, Inc. (Pulse) and is protected by copyright, trade secret and other state and federal laws. Its receipt or possession does not convey any rights to reproduce, disclose its contents, or to manufacture, use or sell anything it may describe. Reproduction, disclosure or use without specific written authorization of Pulse is strictly forbidden.

Description: 25253+35354 GPS L1&L5
Stack Patch Antenna

PART NUMBER: ANT2535BS0WTL1L5S

REVISION HISTORY

Revision	Date	Description
Version 1	Oct. 26, 2020	- New issue

In the effort to improve our products, we reserve the right to make changes judged to be necessary.

CONFIDENTIAL AND PROPRIETARY INFORMATION

This document contains confidential and proprietary information of Pulse Electronics, Inc. (Pulse) and is protected by copyright, trade secret and other state and federal laws. Its receipt or possession does not convey any rights to reproduce, disclose its contents, or to manufacture, use or sell anything it may describe. Reproduction, disclosure or use without specific written authorization of Pulse is strictly forbidden.