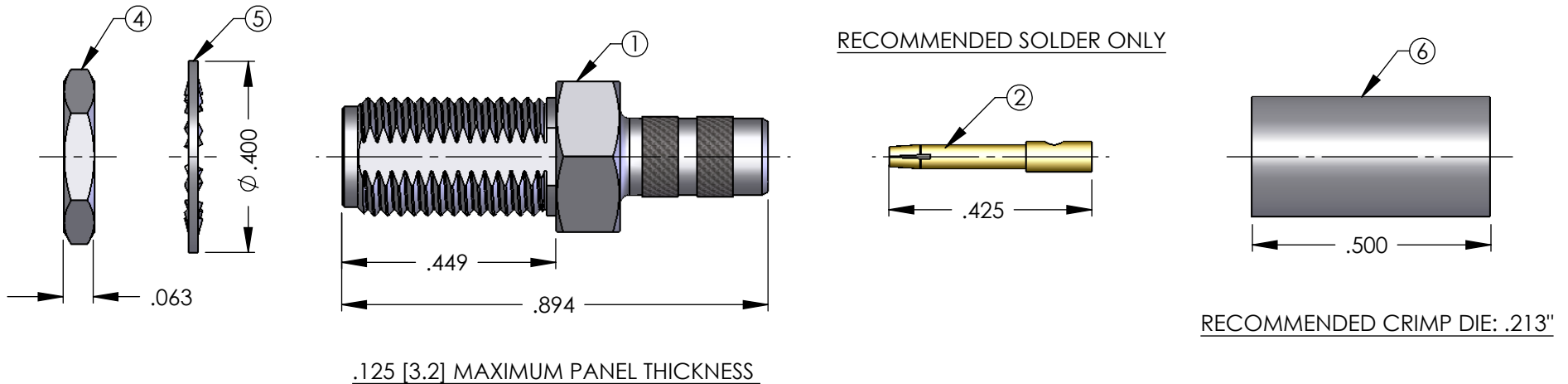
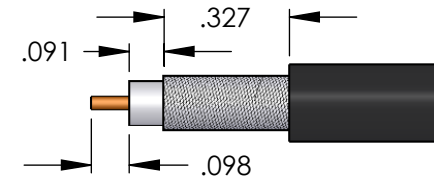
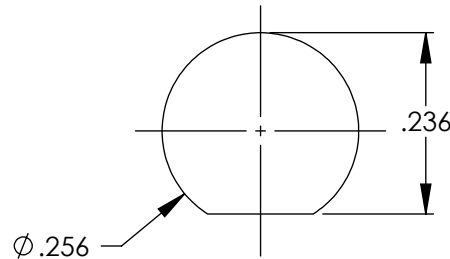


# RSA-3252-C1

REV	DESCRIPTION	DATE	APPR
C	UPDATED DRAWING AND SPECS	03/21/07	JDM



**SPECIFICATIONS:**  
 IMPEDANCE: 50 Ohms  
 FREQUENCY RANGE: 0-12.4 GHz  
 WORKING VOLTAGE: 500 V rms Max. @ Sea Level  
 INSULATION RESISTANCE: 5k M Ohms min.  
 TEMPERATURE RANGE: -65°C TO 165°C  
 FOR RG-55, 55A, 55B, 142, 142A, 142B, 223 & 400/U,  
 ALPHA 9055, 9055B, 9223, BELDEN 8219, 83242, 84142



RECOMMENDED STRIPPING INSTRUCTIONS

NTS

<b>ROHS</b> COMPLIANT	NAME	DATE	<b>RF INDUSTRIES</b> SAN DIEGO, CA., 7610 MIRAMAR RD. 92126 858-549-6340 FAX 858-549-6345							
	DRAWN	C. ZUNIGA		3/26/07						
	CHECKED									
	ENG APPR.									
UNLESS OTHERWISE SPECIFIED: DIMENSIONS ARE IN INCHES			TITLE: <b>SMA JACK, CRIMP BULKHEAD</b>							
ALL DIMENSIONS ARE FOR REFERENCE ONLY										
CABLE GROUP <b>C1</b>										
ITEM #	PART NUMBER	QTY.	DESCRIPTION	MATERIAL	FINISH	ID <b>000000</b>	PROPRIETARY AND CONFIDENTIAL  THE INFORMATION CONTAINED IN THIS DRAWING IS THE SOLE PROPERTY OF RF INDUSTRIES. ANY REPRODUCTION IN PART OR AS A WHOLE WITHOUT THE WRITTEN PERMISSION OF RF INDUSTRIES IS STRICTLY PROHIBITED.	SIZE	DWG. NO.	REV
								<b>A</b>	<b>RSA-3252-C1</b>	<b>C</b>
SCALE: NTS			NOTES:					SHEET 1 OF 1		