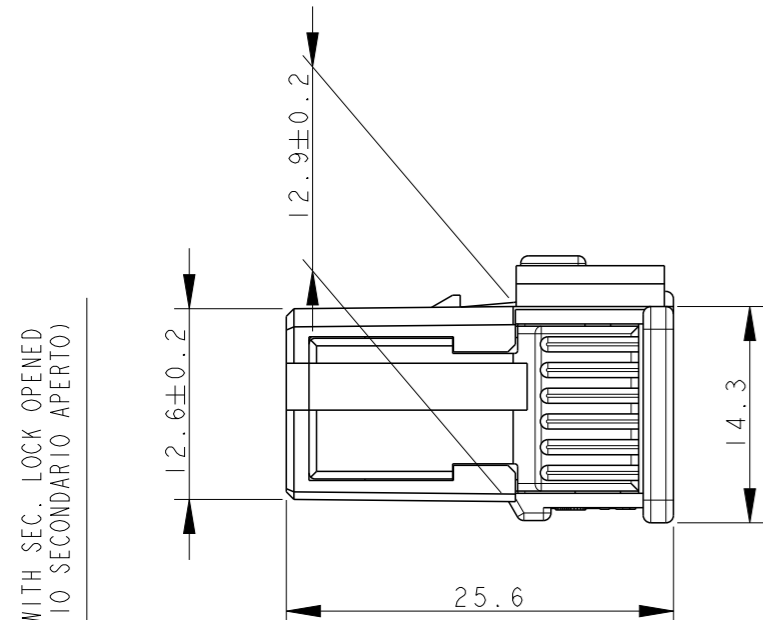


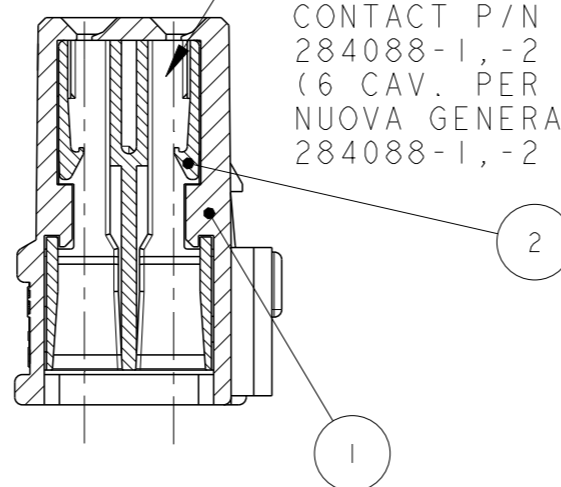
P	LTR	DESCRIPTION	DATE	DWN	APVD
A2		ADDED POL. -1 ET000160-00	JUL00	D.B.	O.C.
A3		RELEASED FOR PRODUCTION POL. -1 (ET00-0063-02)	04APR2002	M.P.	O.C.
A4		REVISED PER ECO-19-007445	14MAY2019	AP	V.N.
A5		REVISED PER ECN-22-141284	01MAR2022	V.N.	V.N.

SECTION A - A
(SEZIONE A-A)

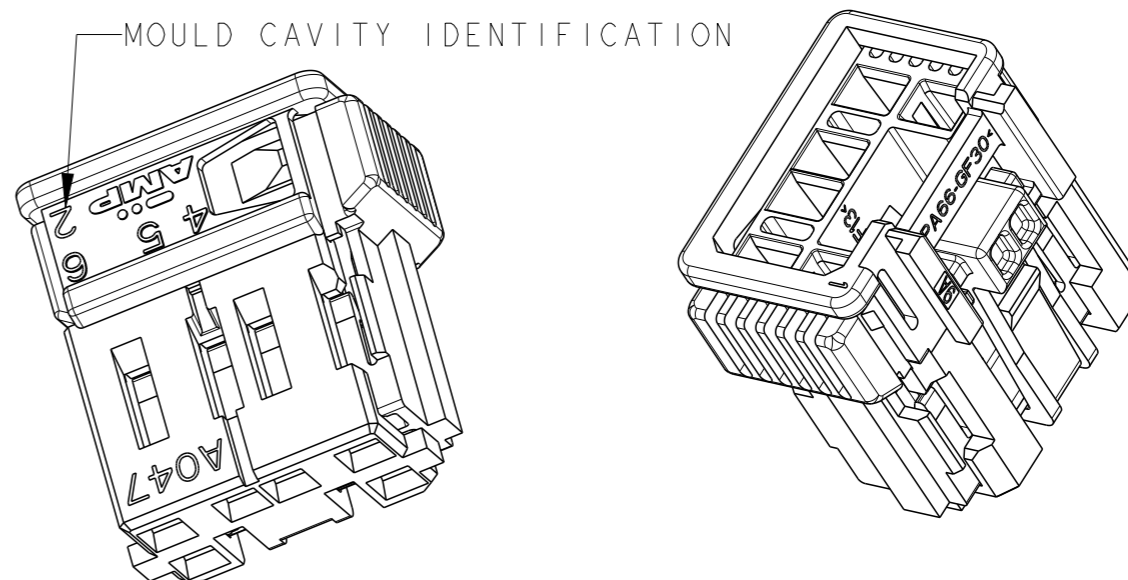
6 CAV. FOR NEW GENERATION MULTILOCK RECEPTACLE CONTACT P/N 284087-1, -2 ; 284088-1, -2 AND 284166-1, -2 (6 CAV. PER CONTATTI FEMMINA NUOVA GENERAZIONE P/N 284087-1, -2 284088-1, -2 E 284166-1, -2)



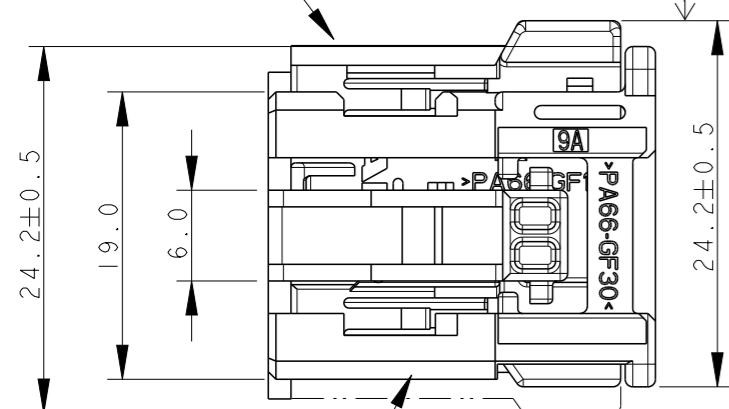
OVERALL DIMENSIONS WITH SEC. LOCK OPENED
(INGOMBRO CON AGGANCIO SECONDARIO APERTO)



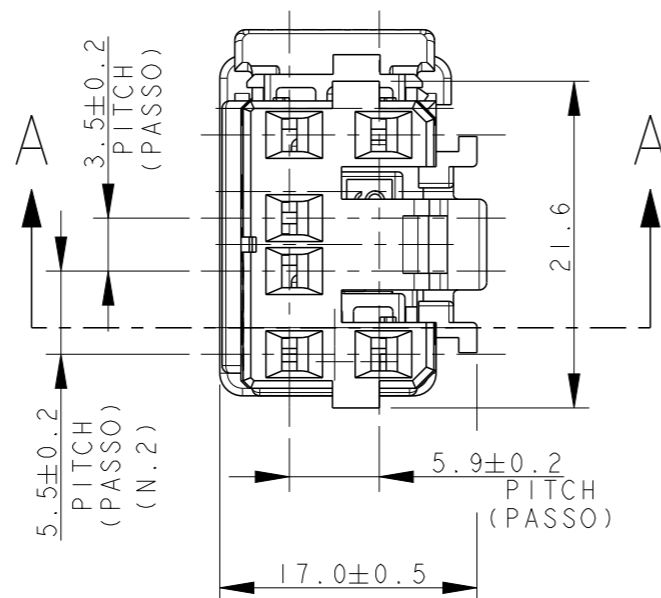
MOULD CAVITY IDENTIFICATION



SUPPLIED WITH SEC. LOCKING DEVICE ON PRE-ASSEMBLED POSITION (FORNITO CON IL DISPOSITIVO DI AGGANCIO SECONDARIO IN POS. PRE-ASSEMBLATO)



OVERALL DIMENSIONS WITH SEC. LOCK CLOSED:
(INGOMBRO CON AGGANCIO SECONDARIO CHIUSO)



282989-2 AS SHOWN (COME MOSTRATO)

2	RECEPTACLE HOUSING (BLOCC. PORTA FEMMINE)	SEE SHEET 2 VED.FOGLIO 2	PA 66 G.F.	SEE SHEET 2 VED.FOGLIO 2
1	SEC. LOCKING DEVICE (AGGANCIO SECONDARIO)	SEE SHEET 2 VED. FOGLIO 2	PA 66 G.F.	SEE SHEET 2 VED. FOGLIO 2
ITEM	DESCRIPTION (DESCRIZIONE)	FINISH/COLOUR (FINITURA/COLORE)	MATERIAL (MATERIALE)	PART NUMBER (NUMERO)

FOR POLARIZATION DETAILS AND COUNTERPARTS P/N'S SEE SHEET 2 (PER DETTAGLIO POLARIZZAZIONI E P/N'S CONTROPARTI VEDERE FOGLIO 2)

THIS DRAWING IS A CONTROLLED DOCUMENT.

DWN	A. MARANGON	04MAR99
CHK	O. CANUTO	04MAR99
APVD	A. GENTA	04MAR99
PRODUCT SPEC	108-20175	
APPLICATION SPEC	114-20098	
WEIGHT	3.50 g	

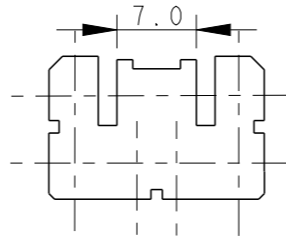
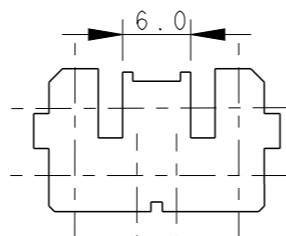
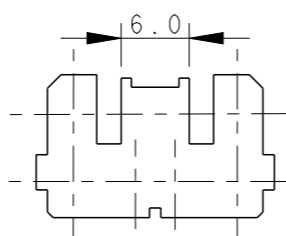
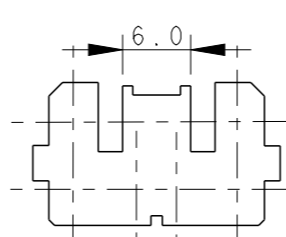
TE TE Connectivity


NAME: 6 POS. NEW GENERATION RECEPTACLE CONNECTOR for trucks

SIZE	CAGE CODE	DRAWING NO	RESTRICTED TO
A3	00779	C-282989	-

CUSTOMER DRAWING SCALE 2:1 SHEET 1 OF 2 REV A5

P	LTR	DESCRIPTION	DATE	DWN	APVD
		SEE SHEET 1			

P/N	ITEM 1-2 COLOUR (COLORE)	PART REV.	GRAPHIC REPRESENTATION MATING FACE (RAPPRESENTAZIONE GRAFICA LATO ACCOPIAMENTO)	P/N FREE HANGING COUNTERPART (CONTROPARTE VOLANTE)	P/N APPLICATION PANEL (DIMA DI APPLICAZIONE)
282989-1	WHITE (BIANCO)	A		282992-1	92-51195-1
282989-2	BLACK (NERO)	A		282992-2	92-51195-2
282989-3	BLUE (BLU)	A		282992-3	92-51195-3
282989-4	GREY (GRIGIO)	A		282992-4	92-51195-4

THIS DRAWING IS A CONTROLLED DOCUMENT.		DWN A. MARANGON 04MAR99	 TE Connectivity	
DIMENSIONS: mm		CHK O. CANUTO 04MAR99		
TOLERANCES UNLESS OTHERWISE SPECIFIED:		APVD A. GENTIA 04MAR99	NAME 6 POS. NEW GENERATION RECEPTACLE CONNECTOR for trucks	
0 PLC ±0.3 1 PLC ±0.3 2 PLC ±0.3 3 PLC ± 4 PLC ± ANGLES ±2		PRODUCT SPEC SEE SHEET 1 (VEDERE FOGLIO 1)	SIZE A300779	
MATERIAL SEE SHEET 1		APPLICATION SPEC SEE SHEET 1 (VEDERE FOGLIO 1)	DRAWING NO G-282989	
FINISH -		WEIGHT SEE SHEET 1 (VEDERE FOGLIO 1)	RESTRICTED TO -	
CUSTOMER DRAWING			SCALE -	SHEET 2 OF 2
			REV A5	