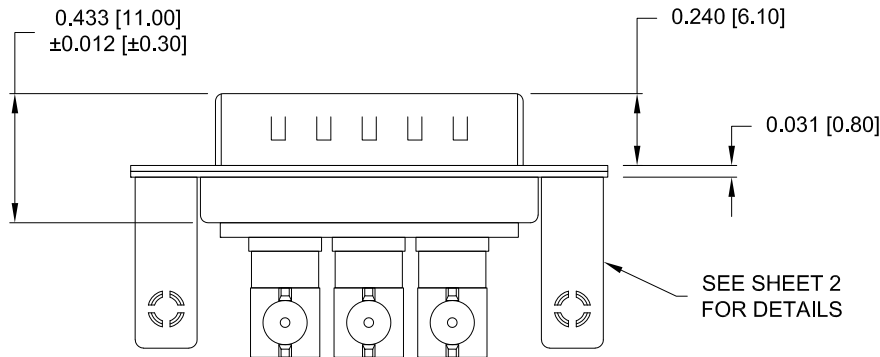
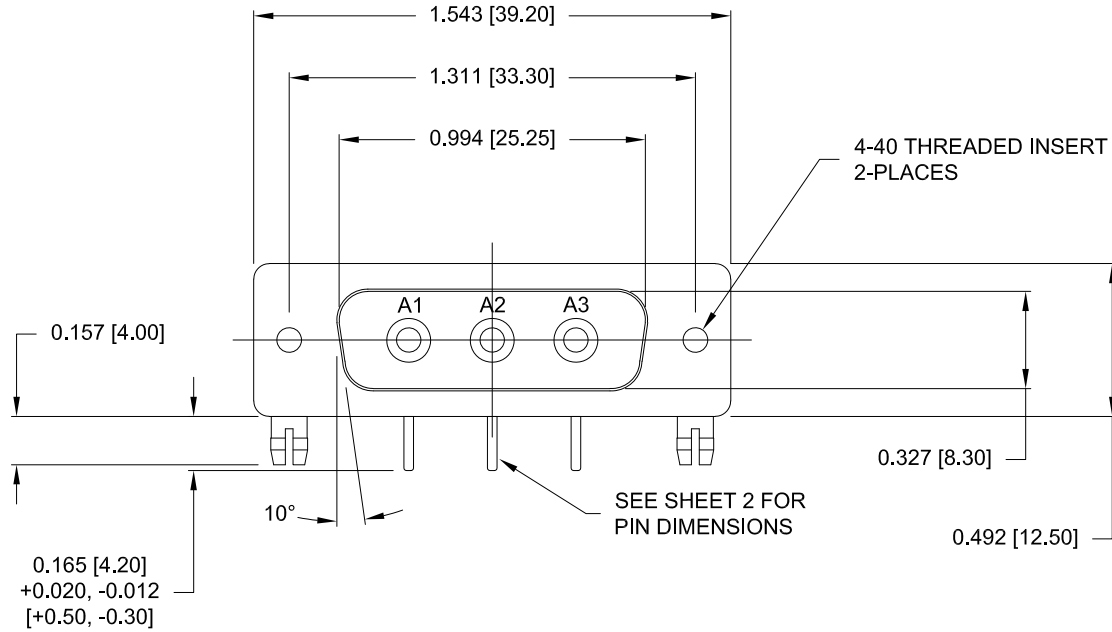


DESCRIPTION: 3W3 // M // COAXIAL // RA PCB MOUNT



SPECIFICATIONS:

ELECTRICAL:

INSULATOR RESISTANCE: 5 GOHMS Min.
 DIELECTRIC WITHSTANDING: 1,000VAC r.m.s.
 OPERATING TEMPERATURE: -55° C ~ +125° C
 COAXIAL CONTACT RESISTANCE: 2.7 Milliohms Max.
 COAXIAL IMPEDANCE: SEE PART NUMBER KEY

MECHANICAL:

CONTACT INSERTION FORCE: 4.5 Kg Max.
 CONTACT SEPARATOR FORCE: 0.3Kg Min.

MATERIALS:

CONTACTS: COPPER ALLOY
 INSULATOR: PBT UL94V-0 RATED, BLACK
 230°C PROCESS TEMP.
 SHELL: STEEL

SHELL:

FINISH:

SHELL: NICKEL
 CONTACTS: FULL GOLD FLASH

685M3W31Y3L461

0 = 50 OHM
 7 = 75 OHM

1 = Gold Flash

46 = 4-40 Inserts / Board Locks

RoHS COMPLIANT

UNITS = INCHES [MM] **DO NOT SCALE FROM DRAWING**



THESE DRAWINGS AND SPECIFICATIONS ARE THE PROPERTY OF NorComp AND SHALL NOT BE REPRODUCED, COPIED OR USED AS THE BASIS FOR THE MANUFACTURE OR SALE OF APPARATUS WITHOUT WRITTEN PERMISSION.

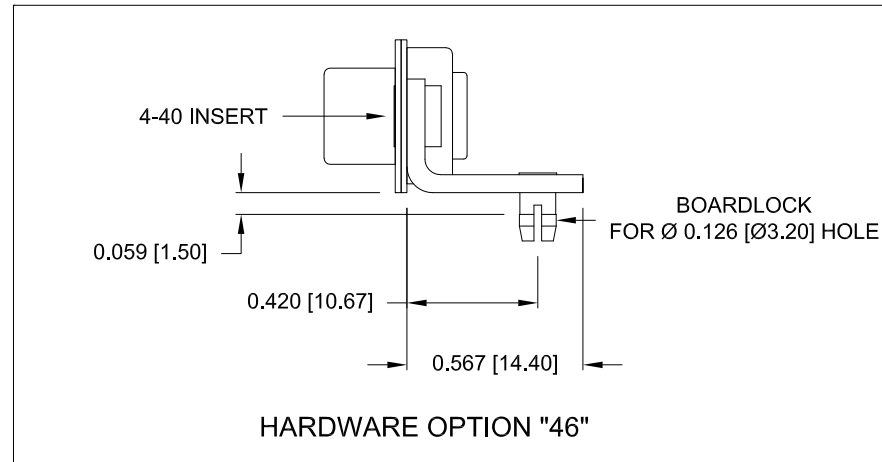
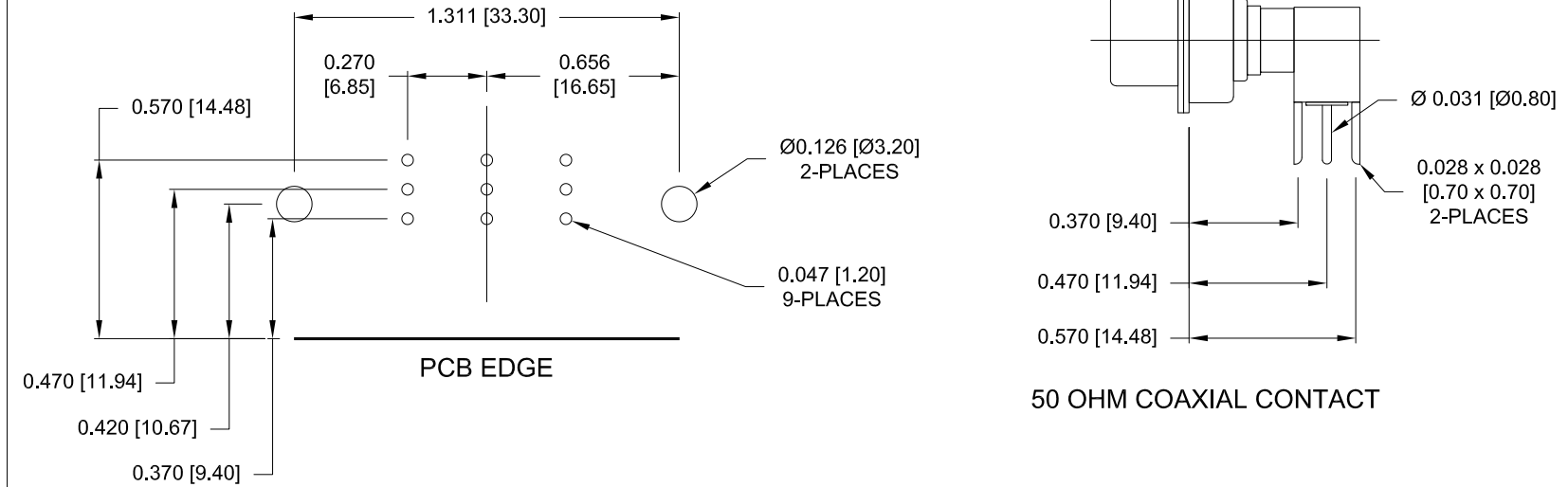
DRAWN: M. SIGMON

DATE: 02/27/2015

NorComp

SCALE: NTS	SHEET 1	OF 2	REV 2
DWG NO: 685M3W3103L461			

**NOTE:
COAXIAL CONTACTS COME
PRE-LOADED INTO INSULATORS**



RoHS COMPLIANT

UNITS = INCHES [MM] DO NOT SCALE FROM DRAWING



THESE DRAWINGS AND SPECIFICATIONS ARE THE PROPERTY OF NorComp AND SHALL NOT BE REPRODUCED, COPIED OR USED AS THE BASIS FOR THE MANUFACTURE OR SALE OF APPARATUS WITHOUT WRITTEN PERMISSION.

DRAWN:
M. SIGMON

DATE:
02/27/2015

NorComp

SCALE: NTS	SHEET 2	OF 2	REV 2
DWG NO: 685M3W3103L461			