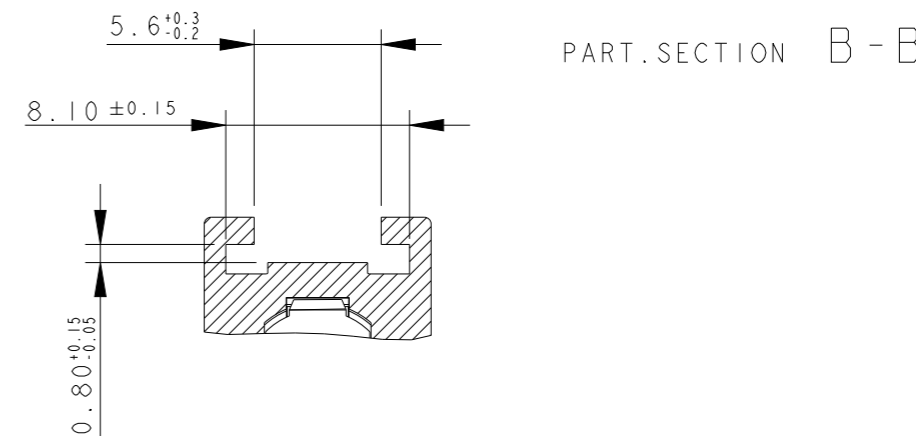
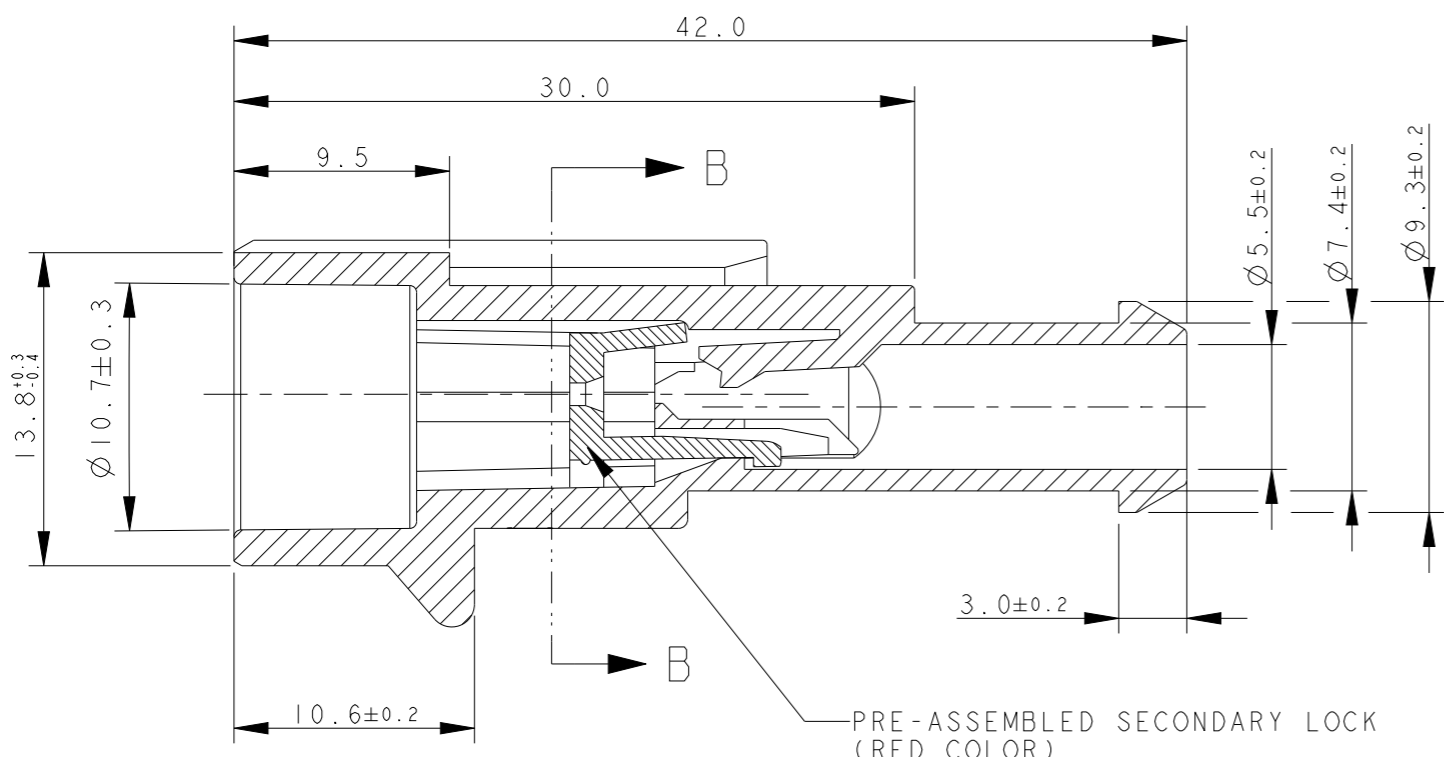
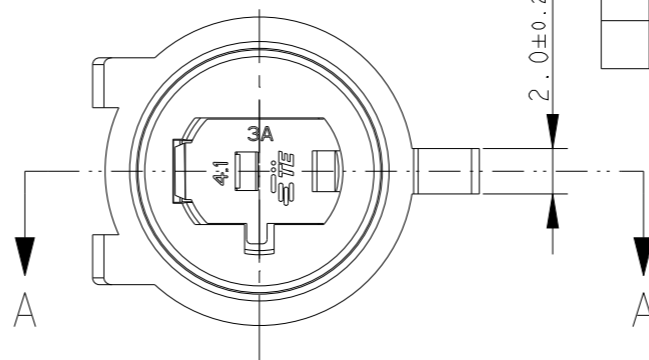
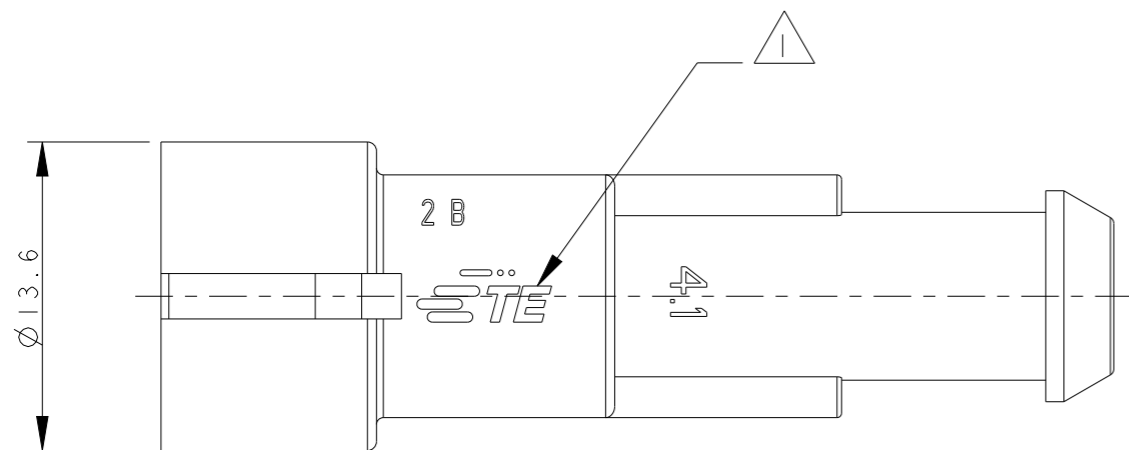


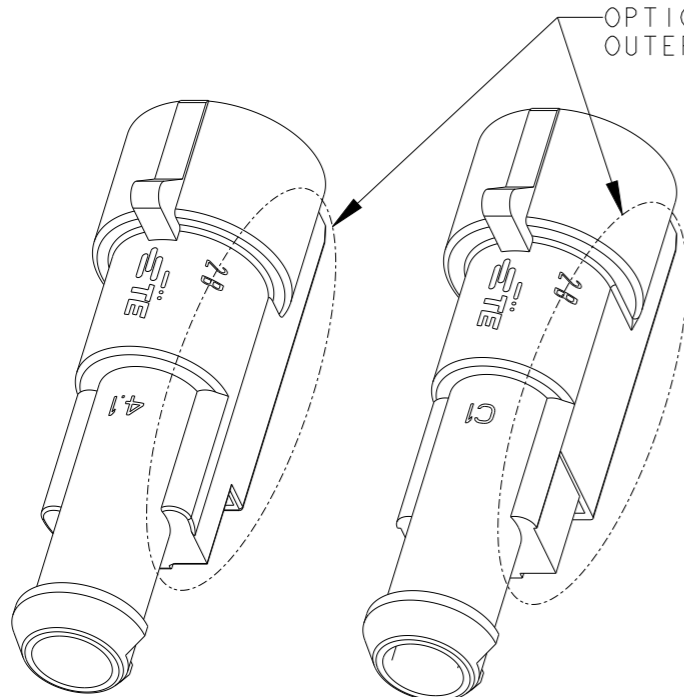
REVISIONS

P	LTR	DESCRIPTION	DATE	DWN	APVD
B1		REVISED (ECO-17-009774)	06SEP2017	M.G.	M.G.
B2		REVISED PER ECO-18-003893	05MAR2018	AP	VN
B3		REVISED PER ECO-20-002019	12FEB2020	AP	VN
B4		REVISED PER ECN-21-110072	21JUL2021	AP	VN



1 TE CONNECTIVITY TRADE MARK, (IN ALTERNATIVE: "AMP" LOGO, OR "Tyco Electronics" LOGO)

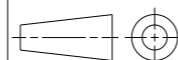
OPTIONAL SHAPE OF OUTER PROFILE



BROWN	PA66-GF	B	4-282103-1
GRAY	PA66-GF	B	282103-2
BLACK	PA66-GF	B	282103-1
FINISH/COLOR	MATERIAL	REV	PART NUMBER

THIS DRAWING IS A CONTROLLED DOCUMENT.

DIMENSIONS:  
mm



MATERIAL  
SEE TABLE

TOLERANCES UNLESS OTHERWISE SPECIFIED:

0 PLC ±  
1 PLC ±0.3  
2 PLC ±  
3 PLC ±  
4 PLC ±  
ANGLES ±2°

FINISH  
SEE TABLE

DWN C. BERTINI 02-1990

CHK A. BRUNI 02-1990

APVD -

PRODUCT SPEC  
108-20090

APPLICATION SPEC  
412-20000

WEIGHT  
2.83g

Customer Drawing

NAME  
AMP SUPERSEAL 1.5 SRS.  
1 POSITION TAB ASS'Y

SIZE CAGE CODE DRAWING NO RESTRICTED TO

A300779 C-282103

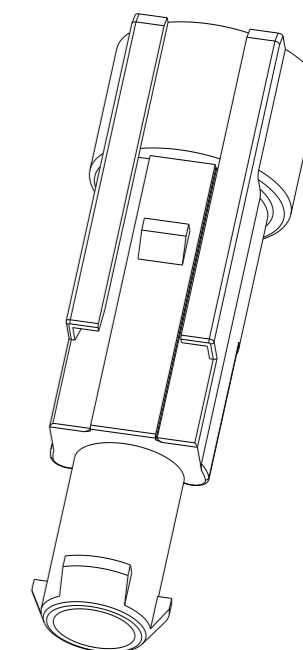
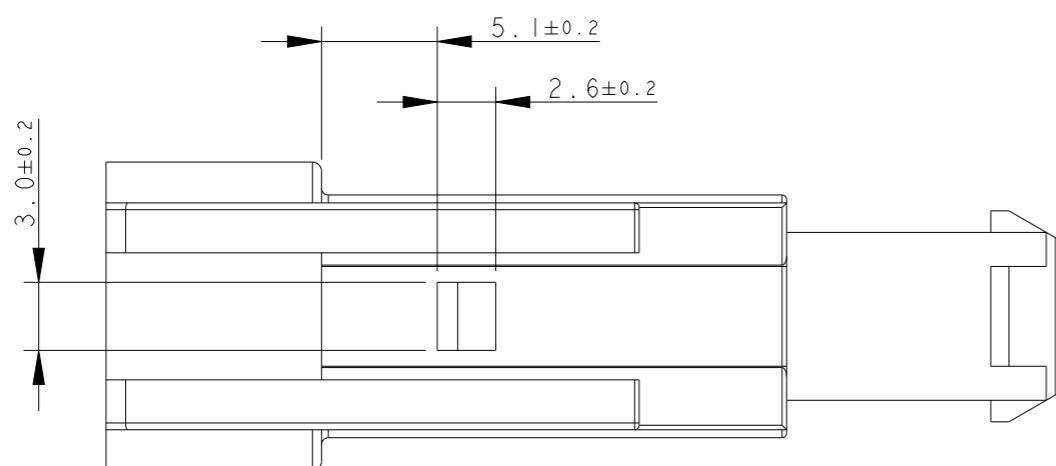
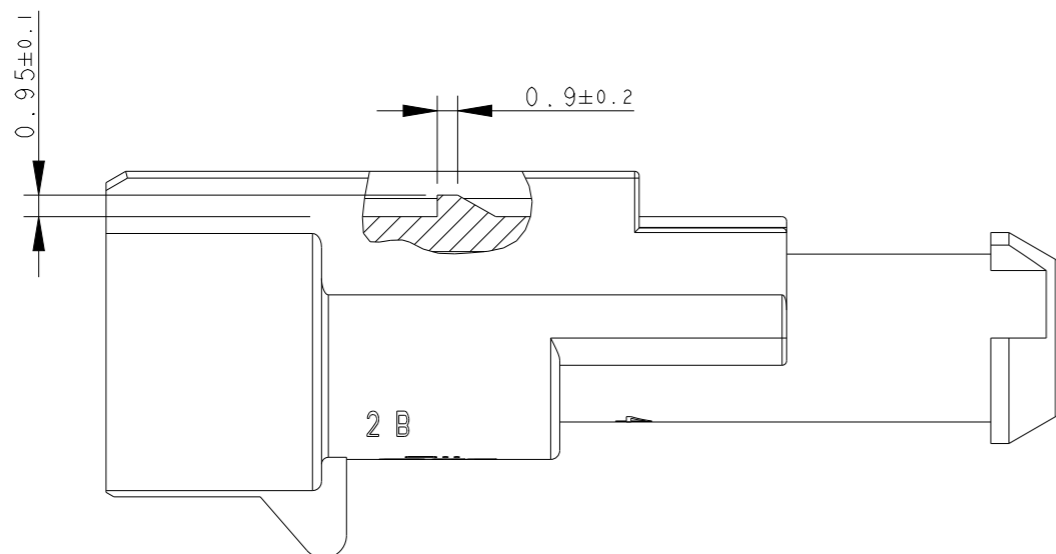
SCALE 3:1 SHEET 1 OF 2 REV B4

**STE** TE Connectivity



REVISIONS

P	LTR	DESCRIPTION	DATE	DWN	APVD
-	-	SEE SHEET 1	-	-	-

REFER SHEET 1 FOR MISSING DIMENSIONS



4-282103-1 AS SHOWN

THIS DRAWING IS A CONTROLLED DOCUMENT.		DWN C. BERTINI 02-1990	 TE Connectivity		
DIMENSIONS: mm		CHK A. BRUNI 02-1990			
TOLERANCES UNLESS OTHERWISE SPECIFIED:		APVD -	NAME AMP SUPERSEAL 1.5 SRS. 1 POSITION TAB ASS'Y		
		PRODUCT SPEC 108-20090	-		
0 PLC ±- 1 PLC ± 0.3 2 PLC ±- 3 PLC ±- 4 PLC ±- ANGLES ± 2°		APPLICATION SPEC 412-20000	SIZE A3	CAGE CODE 00779	DRAWING NO C-282103
MATERIAL - SEE TABLE		WEIGHT 2.83g	RESTRICTED TO -		
FINISH - SEE TABLE		Customer Drawing	SCALE 3:1	SHEET 2 OF 2	REV B4