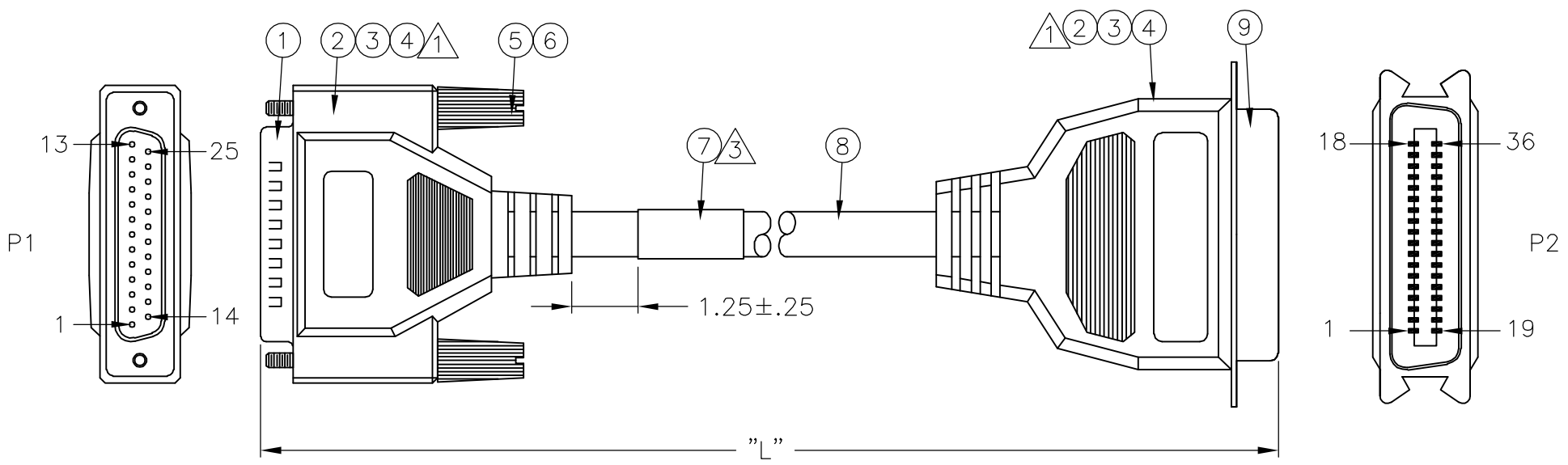


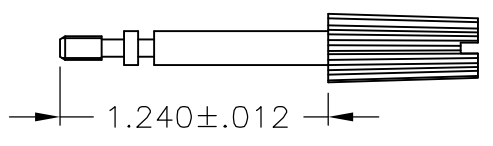
THIS DRAWING IS UNPUBLISHED. RELEASED FOR PUBLICATION  
 © COPYRIGHT BY TYCO ELECTRONICS CORPORATION. ALL RIGHTS RESERVED.

LOC	DIST	REVISIONS			
P	LTR	DESCRIPTION	DATE	DWN	APVD
CF	71	F	REVISION PER ECO-06-016717	14JUL06	LN WW



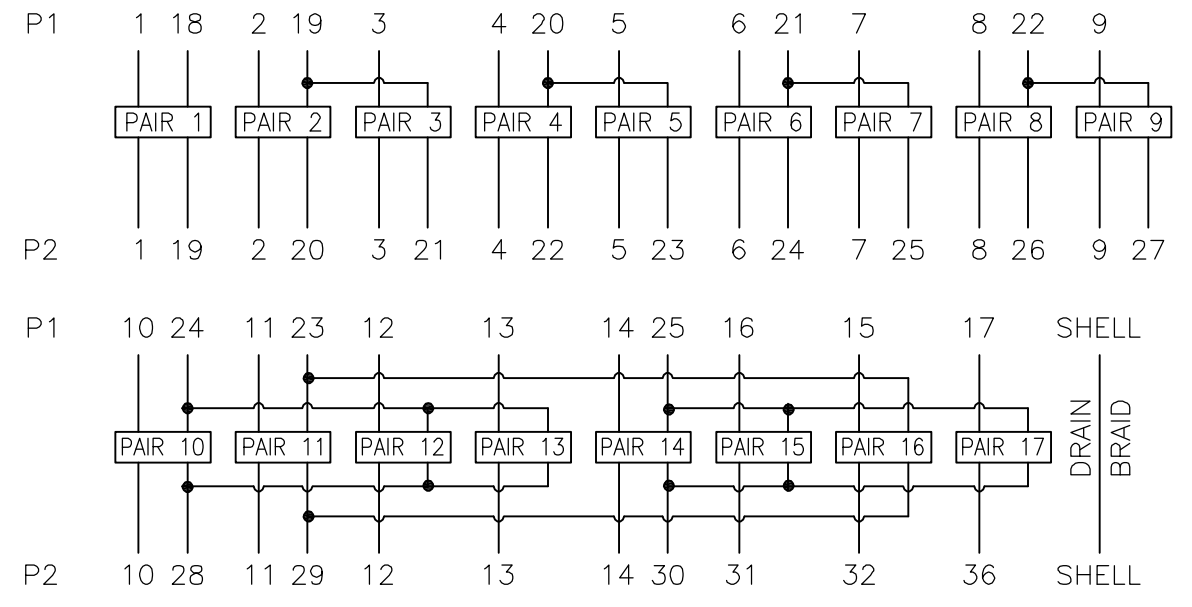
- NOTES:
- CABLE BRAID TO BE SOLDERED 360 DEGREES TO FOIL, FOIL SEAMS TO BE SOLDERED, FOIL SOLDERED 360 DEGREE TO SHELL.
  - CABLE ASSEMBLIES MUST MEET OR EXCEED THE CURRENT IEEE 1284 STANDARDS.
  - LABEL INFORMATION:
 

COUNTRY OF ORIGIN
TYCO P/N
WWYY
IEEE STD
1284-1994
  - TEST CONDITION:  
 CONTINUITY RESISTANCE: SEE TABLE.  
 INSULATION RESISTANCE: 5.0 Mohm MIN.  
 HI-POT TEST: 300V DC/100 MS MIN.
  - PRODUCT AND PROCESSING MUST MEET REQUIREMENTS OF TYCO ENVIRONMENTAL STANDARD 230-702.



3.0 OHM MAX.	393.72 <sup>+6.00</sup> <sub>-0.00</sub>	158392-6
2.0 OHM MAX.	236.28 <sup>+4.00</sup> <sub>-0.00</sub>	158392-5
2.0 OHM MAX.	118.11 <sup>+4.00</sup> <sub>-0.00</sub>	158392-4
2.0 OHM MAX.	78.74 <sup>+4.00</sup> <sub>-0.00</sub>	158392-3
1.0 OHM MAX.	59.04 <sup>+3.00</sup> <sub>-0.00</sub>	158392-2
1.0 OHM MAX.	19.68 <sup>+1.00</sup> <sub>-0.00</sub>	158392-1
CONTINUITY RESISTANCE	"L" LENGTH	TYCO P/N

PIN ASSIGNMENT :



1	PC	CN36 MALE, SOLDER TYPE, CONTACT: GOLD 30U" PLATED, SHELL: NICKEL PLATED, INSULATION COLOR: BLACK.	9
AR	MR	UL20276 28AWG 18P+FILLER+FOAMED PP TYPE+DRAIN+AL/MYLAR+BRAIN, COLOR: BEIGE(BG01).	8
1	PC	LABEL, SIZE: 25.0*76.0MM, WHITE: 25.0*19.0MM.	7
AR	KG	MOLD PVC, 30P, COLOR: BEIGE(BG01).	6
2	PC	#4-40 THUMBSCREW.	5
AR	KG	OVER MOLD PVC, 40P, COLOR: BEIGE(BG01).	4
AR	KG	INNER MOLD PE.	3
AR	MR	COPPER FOIL, W: 35.0MM, 360° SOLDER.	2
1	PC	DB25 MALE, SOLDER TYPE, CONTACT: GOLD 30U" PLATED, SHELL: NICKEL PLATED, INSULATION COLOR: BLACK.	1
-1	U/M	DESCRIPTION	ITEM

THIS DRAWING IS A CONTROLLED DOCUMENT.		DWN	V.COLLER	11-18-96	 Tyco Electronics Corporation Harrisburg, Pa 17105-3608												
DIMENSIONS: INCHES		CHK	J.CORRELL	11-21-96													
TOLERANCES UNLESS OTHERWISE SPECIFIED:		APVD	J.CORRELL	11-21-96													
<table border="1"> <tr><td>0 PLC</td><td>± -</td></tr> <tr><td>1 PLC</td><td>± -</td></tr> <tr><td>2 PLC</td><td>± -</td></tr> <tr><td>3 PLC</td><td>± -</td></tr> <tr><td>4 PLC</td><td>± -</td></tr> <tr><td>ANGLES</td><td>± -</td></tr> </table>		0 PLC	± -	1 PLC	± -	2 PLC	± -	3 PLC	± -	4 PLC	± -	ANGLES	± -	PRODUCT SPEC		NAME	CABLE ASSEMBLY, IEEE 1284, BEIGE, A-B
0 PLC	± -																
1 PLC	± -																
2 PLC	± -																
3 PLC	± -																
4 PLC	± -																
ANGLES	± -																
MATERIAL		WEIGHT		SIZE	CAGE CODE	DRAWING NO	RESTRICTED TO										
-		-		A3	00779	C-158392	-										
CUSTOMER DRAWING				SCALE	N.T.S	SHEET	1 OF 1										
				REV	F												