

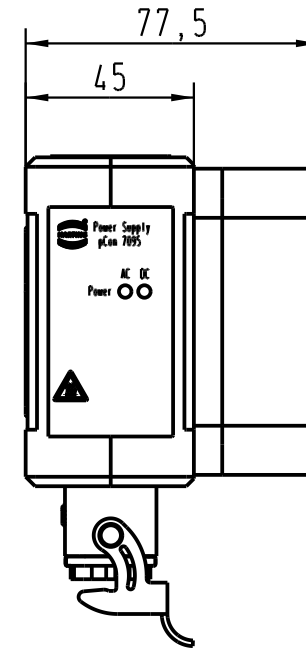
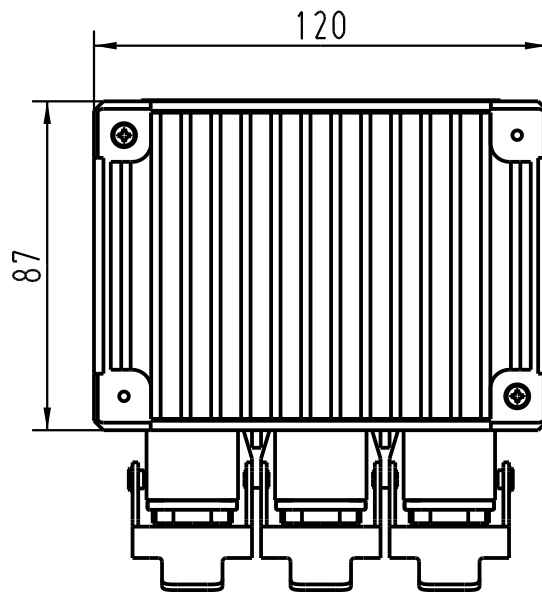
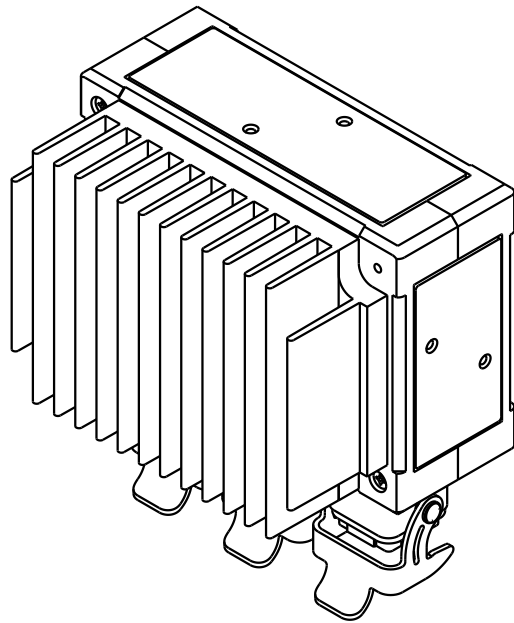
1 2 3 4 5 6

A

B

C

D



All Dimensions in mm Original Size DIN A 4		Techn. Character.			Nicht tolerierte Masse/ Free size tolerances		
			Dat.	Name	Massstab/ Scale  <b>1:2</b>	<p style="text-align: center;"><b>pCon 7095-A</b> Industrial Power Supply, Han 4A</p>	
			Detail.	24.05.06			Loe.
			Insp.				WIT
			Stand.				
412556	21.11.06	Loe.	HARTING Electric GmbH & Co. KG D-32339 Espelkamp			<b>TB 20 80 300 3011</b>	
412233							Blatt/ page
Mod.	Dat.	Name				Sub.	