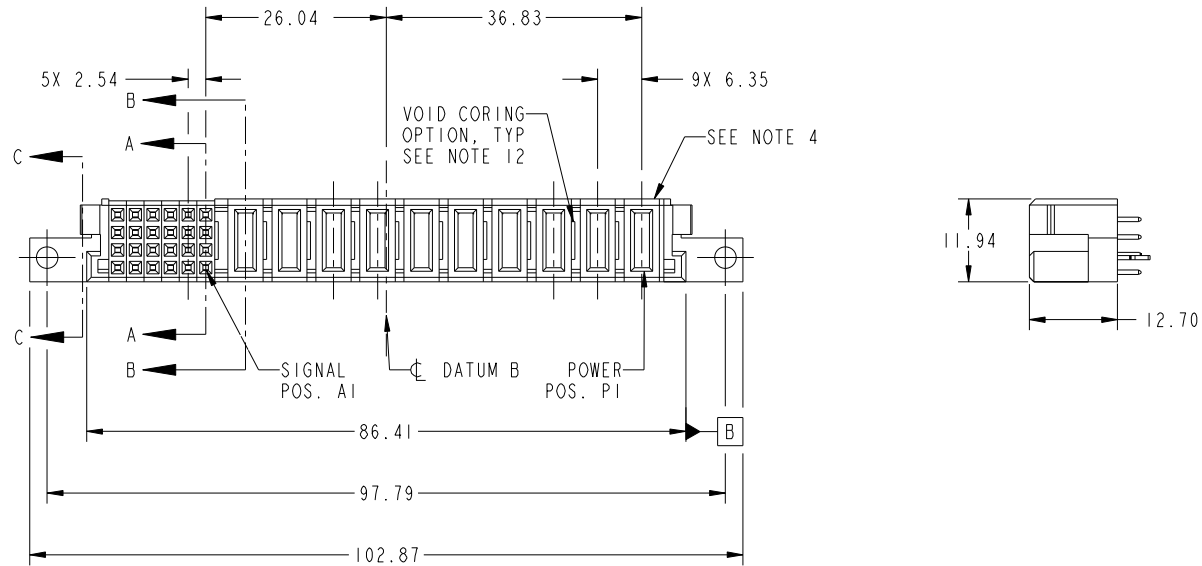


Tous droits strictement reserves. Reproduction ou communication a des tiers interdite sous quelque forme que ce soit sans autorisation écrite du propriétaire. Propriete de c FCI. Droits de reproduction FCI.



All rights strictly reserved. Reproduction or issue to third parties in any form whatever is not permitted without written authority from the proprietor. Property of FCI. Copyright FCI.

PRODUCT NO.	ROWS	SIGNAL						POWER										E1				
		E2	6	5	4	3	2	1	P10	P9	P8	P7	P6	P5	P4	P3	P2		P1			
51940-330-- NOTE: 3	D C B A	HA	E	E	E	E	E	E	E	E	E	E	E	E	E	E	E	E	E	E	E	HA



CODE	DIM "M" MATING LENGTH	CONTACT TYPE
E	[N/A]	SIGNAL
PD	[2.34]	POWER
HA	[N/A]	HOLD-DOWN

mat'l code				SEE NOTES		tolerances unless otherwise specified		CUSTOMER		FCI	
ltr	ecn no.	dr	date	linear	0.X ± 0.5	COPY		www.fciconnect.com		title	
A	DG10-0136	WL	04/10/10	angles	0.XX ± 0.25	projection		10P + 24S		VERTICAL SOLDER RECEPT	
				dr	0.XXX ± 0.1	MIM		product family		PwrBlade	code
				enr	0° ± 2°	scale		size		dwg no	213
				chr	WL ZHANG 04/10/10	1:1		A		51940-330	sheet
				appd	PM Zheng 04/10/10						1 of 4
					Joseph Hsia 04/10/10						
sheet index	revision sheet	A 1	A 2	A 3	A 4					cage code	4
										22526	

Pro/E

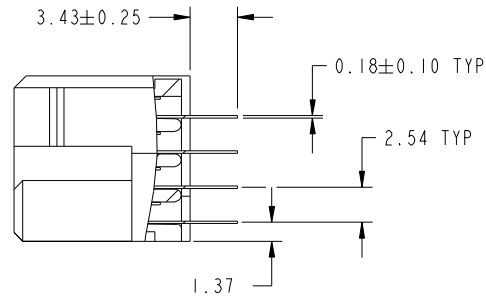
cage code 22526

Tous droits strictement reserves. Reproduction ou communication a des tiers interdite sous quelque forme que ce soit sans autorisation écrite du propriétaire. Propriete de c FCI. Droits de reproduction FCI.

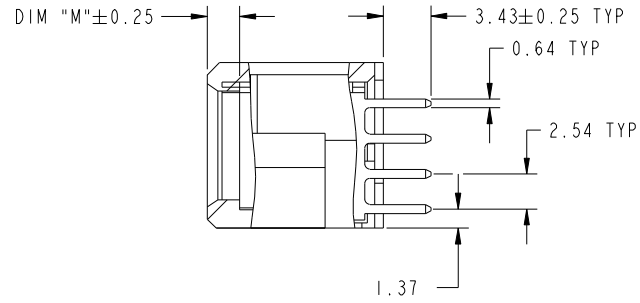


All rights strictly reserved. Reproduction or issue to third parties in any form whatever is not permitted without written authority from the proprietor. Property of FCI. Copyright FCI.

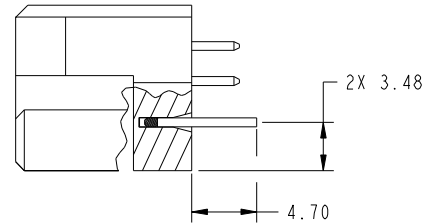
PRODUCT NUMBER
51940-330__
NOTE: 3



SECTION A-A
SCALE 2:1



SECTION B-B
SCALE 2:1



LOCAL SECTION C-C
SCALE 2:1

mat'l code				tolerances unless otherwise specified		CUSTOMER		 www.fciconnect.com	
ltr	ecn no.	dr	date	linear	0.X ±0.5	COPY		title	
A					0.XX ±0.25	projection		10P + 24S VERTICAL SOLDER RECEPT	
				angles	0.XXX ±0.1			product family PwrBlade code	
				dr	WL ZHANG 04/10/10	MIM		size	
				enr	WL ZHANG 04/10/10			dwg no	
				chr	PM Zheng 04/10/10	scale		213	
				appd	Joseph Hsia 04/10/10	1:1		sheet	
sheet index		revision sheet						2 of 4	
								2 of 4	

cage code 22526

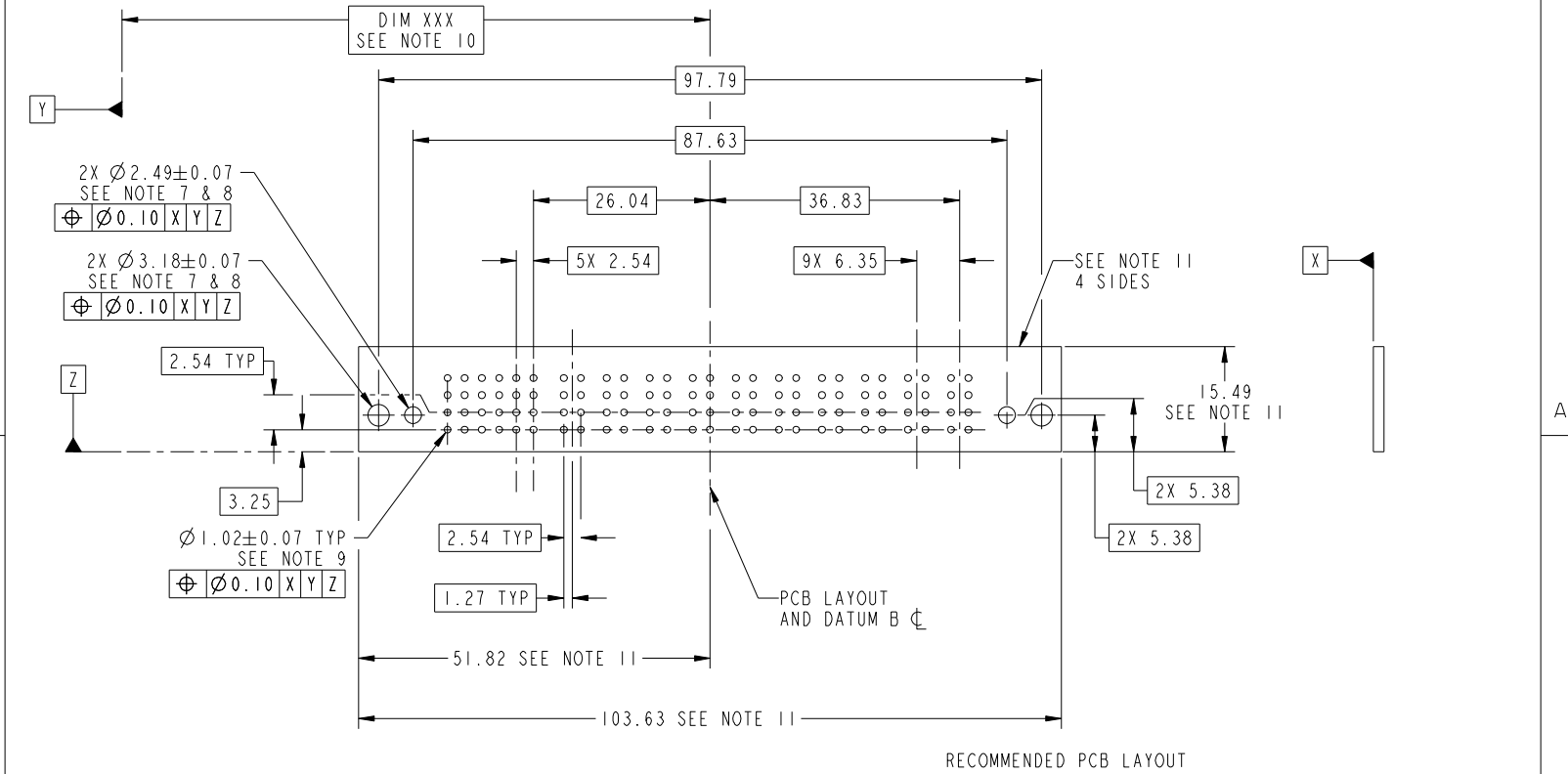
Pro/E

Tous droits strictement réservés. Reproduction ou communication à des tiers interdite sous quelque forme que ce soit sans autorisation écrite du propriétaire. Propriété de c FCI. Droits de reproduction FCI.



All rights strictly reserved. Reproduction or issue to third parties in any form whatever is not permitted without written authority from the proprietor. Property of FCI. Copyright FCI.

PRODUCT NUMBER
51940-330-
NOTE: 3



mat'l code				tolerances unless otherwise specified			CUSTOMER		FCI		www.fciconnect.com		
ltr	ecn no.	dr	date	linear	0.X ± 0.5	COPY		projection 		title			
A				angles	0.XX ± 0.25					10P + 24S			
				dr	0.XXX ± 0.1					VERTICAL SOLDER RECEPT			
				enr	0° ± 2°			product family		PwrBlade	code		
				chr		MIM		size		dwg no	213		
				appd		scale		A		51940-330	sheet		
						1:1					3 of 4		
sheet index	revision sheet												

Pro/E

cage code 22526

Tous droits strictement reserves. Reproduction ou communication a des tiers interdite sous quelque forme que ce soit sans autorisation écrite du propriétaire. Propriete de c FCI. Droits de reproduction FCI.

All rights strictly reserved. Reproduction or issue to third parties in any form whatever is not permitted without written authority from the proprietor. Property of FCI. Copyright FCI.

PRODUCT NUMBER
51940-330-
NOTE: 3

NOTES:

1. DIMENSIONS AND TOLERANCES ARE IN ACCORDANCE WITH ASME Y14.5M, 1994 UNLESS OTHERWISE SPECIFIED.

CONNECTOR NOTES:

- 2 HOUSING MATERIAL: UL 94 V-0 GLASS FILLED HIGH-TEMP THERMOPLASTIC
POWER CONTACT MATERIAL: COPPER ALLOY
SIGNAL PIN MATERIAL: COPPER ALLOY
- 3. PLATING SPEC.
51940-330, 51940-330LF PLATING SPEC. WAS SHOWN IN THE PRINT OF 10064183.
- 4 MANUFACTURER'S NAME, DATE CODE AND OPTIONAL P/N TO APPEAR ON THIS SURFACE. THE P/N CAN BE OMITTED IF THERE IS NOT ENOUGH SPACE ON THIS SURFACE.
- 5. PRODUCT SPECIFICATION GS-12-149.
APPLICATION SPECIFICATION BUS-20-067.
- 6. PACKAGED IN TRAYS.

PCB NOTES:

- 7. ALL HOLE DIAMETERS ARE FINISHED HOLE SIZE.
- 8 MOUNTING HOLES, WHERE APPLICABLE, ARE UNPLATED.
- 9 $\varnothing 1.151 \pm 0.025$ DRILLED HOLES PLATED WITH 0.008 MIN SnPb OR Sn OVER 0.03 TO 0.08 Cu PLATING TO ACHIEVE $\varnothing 1.02 \pm 0.07$ HOLE.
- 10 "DIM XXX" TO BE DETERMINED BY THE CUSTOMER.
- 11 CONNECTOR KEEP-OUT ZONE.
- 12. THE VOID CORING IN BETWEEN POWER MODULES, SIGNAL MODULES AND END MODULES ARE OPTIONAL AND THE SHAPE MAY BE DIFFERENT FOR OPTIMIZE THE MOLDING PROCESS. THE VOID CORING WILL NOT EFFECT TO PRODUCT FUNCTION.

mat'l code				tolerances unless otherwise specified		CUSTOMER		FCI	
ltr	ecr no.	dr	date	linear	0.X ± 0.5	COPY		www.fciconnect.com	
A					0.XX ± 0.25	projection		title	
				angles	0.XXX ± 0.1			10P + 24S VERTICAL SOLDER RECEPT	
				dr	0° ± 2°	MIM		product family PwrBlade code	
				enr	WL ZHANG 04/10/10			size 213	
				chr	WL ZHANG 04/10/10	scale		dwg no 51940-330 sheet	
				appd	PM Zheng 04/10/10	1:1		4 of 4	
					Joseph Hsia 04/10/10				
sheet index	revision sheet								

cage code 22526