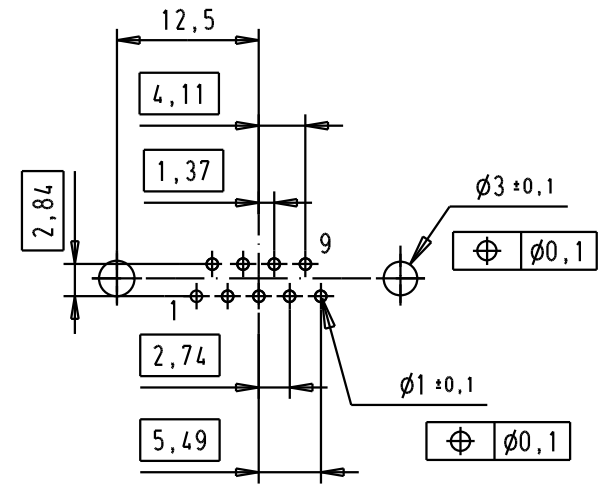
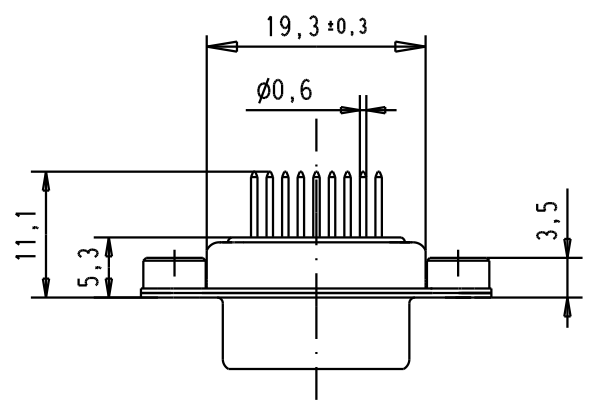


PCB Layout Component side



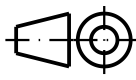

SPECIFICATION

Mating Cycles	500
Filter type	C
Capacitance	1000pf±20%
Working Voltage	100v
Current Rating	7.5A
Insulation Resistance	>1GΩ

FREQUENCY (MHz)	ATTENUATION (dB)
5	1dB
10	3dB
50	12dB
100	20dB
500	34dB
1000	30dB

A

09641127238	M3
09641127237	UNC 4-40
Part number	Nut thread

				Dat.	Name	 All Dim. in mm Orig. Size DIN A 4
			Detail.	8-JUL-02	CV	
			Insp.			
33094	04/10/05	JMDR	Stand.			
						
32138	10/08/04	TR				
31058	8-JUL-02	CV				
Mod.	Dat.	Name	HARTING EURL F-95972 Paris			

D-Sub, female, straight,  
9 Poles, solder pins, tin  
plated shell with clinch nuts

Ma?Ms lab/  
Scale

1.5:1

TB 0964112723x

Blatt/ Page

3 / 3

Sub.